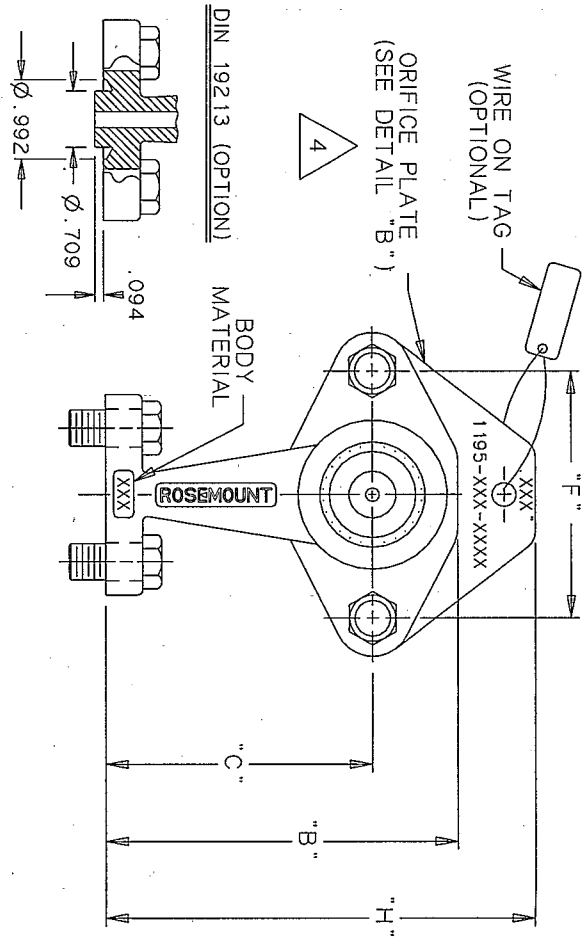
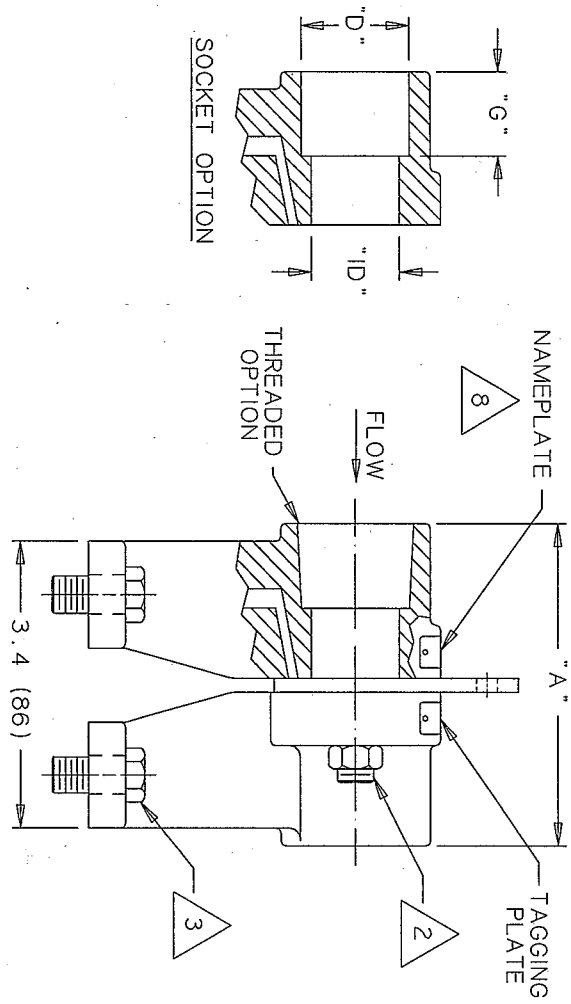


ASSEMBLY WITHOUT ASSOCIATED PIPING

(SEE DETAIL "A" FOR ASSEMBLY WITH ASSOCIATED PIPING)

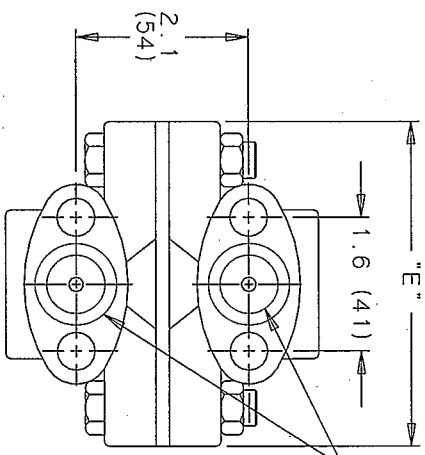
REVISIONS		CHG. NO.	APP'D.	DATE
ZONE	REV	DESCRIPTION		
D		UPDATE DWG ADD DIN PRO. CONN.	30947	



LINE SIZE	DIM. "A"	DIM. "B"	DIM. "C"	DIA. "D"	DIM. "E"	DIM. "F"	DIM. "G"	DIM. "H"	DIA. "ID"
1/2	3.4 (86)	3.9 (99)	3.0 (76)	0.805 (20.45)	3.6 (91)	2.6 (66)	0.8 (20)	4.7 (119)	0.622 (15.8)
1	3.8 (97)	4.3 (109)	3.3 (84)	1.280 (32.51)	3.9 (99)	3.0 (76)	1.0 (25)	5.3 (135)	1.049 (26.64)
1-1/2	4.5 (114)	4.9 (124)	3.7 (94)	1.865 (47.37)	4.4 (112)	3.5 (89)	1.3 (34)	5.9 (150)	1.500 (38.10)

NOTES:

1. DIMENSIONS SHOWN IN PARENTHESES ARE IN MILLIMETERS.
2. TORQUE TO 60 FT-LB (82 N-m)
3. TORQUE TO 34-38 FT-LB (46-52 N-m).
4. THE ORIFICE PLATE IS TO BE INSTALLED SUCH THAT THE FLOW IS INTO THE SIDE MARKED "INLET".
5. FOR FLANGE SPECIFICATIONS SEE DETAIL "C" AND "CC".
6. PIPE NOT SUPPLIED WITH THREADED BODY.
7. SEE TABLE 2 FOR LINE SIZE.
8. NAMEPLATE CONTAINS PRESSURE RATING OF ASSEMBLY AND IS BASED ON COMPONENT OF ASSEMBLY WITH LOWEST PRESSURE RATING.
9. OUTSIDE DIAMETER OF PIPE WELDED INTO SOCKET SHOULD BE .005 (.127) LESS THAN DIA. "D".



ASSEMBLED TO
TRANSMITTER,
3-VALVE MANIFOLD
OR REMOTE
ADAPTER (SEE
DETAIL "D" FOR
REMOTE ADAPTER)

UNLESS OTHERWISE SPECIFIED DIMENSIONS IN INCHES		-TOLERANCE-	
DECIMALS X ± .1	FRACTIONS ± 1/32	ANGLES ± 2°	
.XXX ± .010			
DO NOT SCALE PRINT			
DR. BRIAN CARLSON 7/28/93		APP'D. DRAWING	
ROSEMOUNT [®]		EDEN PRAIRIE, MINNESOTA	
OUTLINE INSTALLATION DRAWING FOR MODEL 1195 INTEGRAL ORIFICE			
SIZE A	FSCM NO. 04274	DRAWING NO. 01195-0500	SHEET 1 OF 7

TABLE 2

MODEL 1195 ROSEMOUNT SERIES INTEGRAL ORIFICE ASSEMBLY

CODE	BODY MATERIAL	CODE	LINE SIZE (PIPE SCHEDULE)	CODE	PROCESS CONNECTION	CODE	ORIFICE PLATE MATERIAL
S	316 SST	T1	1/2 INCH	T1	NPT FEMALE BODY	S	316 SST
H	HASTELLOY C (FOR PROCESS CONNECTIONS T1 AND S1 ONLY)	P1	1 INCH	P1	PIPE ENDS NPT THREADED	H	HASTELLOY C-276
		P2	1-1/2 INCH	P2	PIPE ENDS PREPARED FOR WELDING	M	MONEL
		A1		A1	PIPE ENDS FLANGED-ANSI 1501b RF		
		A2		A2	PIPE ENDS FLANGED-ANSI 3001b RF		
		A3		A3	PIPE ENDS FLANGED-ANSI 6001b RF		
		A4		A4	PIPE ENDS FLANGED-ANSI 9001b RF		
		A5		A5	PIPE ENDS FLANGED-ANSI 15001b RF		

ORIFICE BORE SIZE - INCHES (MM)		ORIFICE BORE SIZE - INCHES (MM)		ORIFICE BORE SIZE - INCHES (MM)	
CODE	1/2 INCH PIPE	CODE	1 INCH PIPE	CODE	1-1/2 INCH PIPE
XXXX	FACTORY CALCULATION	XXXX	FACTORY CALCULATION	XXXX	FACTORY CALCULATION
0010	0.010 (0.25)	0150	0.150 (3.81)	0295	0.295 (7.49)
0014	0.014 (0.36)	0250	0.250 (6.35)	0376	0.376 (9.55)
0020	0.020 (0.51)	0345	0.345 (8.76)	0512	0.512 (13.00)
0034	0.034 (0.86)	0500	0.500 (12.70)	0748	0.748 (19.00)
0066	0.066 (1.68)	0800	0.800 (20.32)	1022	1.022 (25.96)
0109	0.109 (2.77)			1184	1.184 (30.07)
0160	0.160 (4.06)				
0196	0.196 (4.98)				
0260	0.260 (6.60)				
0340	0.340 (8.64)				

CODE MOUNTING BOLT SIZE/MATERIAL

A STANDARD 1.0 INCH GRADE 8 C.S. FOR DIRECT ASSEMBLY TO MOST MANIFOLD AND PRESSURE TRANSMITTERS. INCLUDING MODEL 1151 S

B 2.25 INCH GRADE 8 C.S. FOR DIRECT MOUNTING TO MODELS 3051C AND 2024 WITH COPLANAR FLANGE WITHOUT MANIFOLD

CODE	SPECIALS	CODE	ORIFICE PLATE MATERIAL
GXXXX	SEE PAGE 2 FOR SPECIAL NOTES		
A	ASSEMBLED TO ROSEMOUNT DP TRANSMITTER (FOR PROCESS CONNECTION CODES T1 AND S1 ONLY)		
B	DIFFERENTIAL/BORE CALCULATION (MUST INCLUDE XXXX FOR BORE CODE AND CDS 46862)		
E	REMOTE ADAPTERS - 316 SST		
F	REMOTE ADAPTERS - HASTELLOY C		
K	ASTM A193 GRADE B7M BOLTS (NACE)		
L	ASTM A193 GRADE B8 TYPE 304 BOLTS (304 SST)		
N	WETTED MATERIALS PER NACE MR01-75 (90)		
S	SPECIAL BORE (INCLUDE OPTION B IF ROSEMOUNT TO CALCULATE)		



EXAMPLE OF MODEL NUMBER

ROSEMOUNT INC.
MINNEAPOLIS, MINN.

THIS DRAWING WAS CREATED ON CAD
VELLUM MASTER IS NOT TO BE CHANGED.
DRAWING IS ARCHIVED ON MAGNETIC TAPE
FOR ECO CHANGES.

FILE NAME:
SIZE FSQM, NO. 04274
DRAWING NO. 01195-0500

DR ISSUE
SCALE: WT. SHEET 2 OF 7

DETAIL "A" - ASSEMBLY WITH ASSOCIATED PIPING

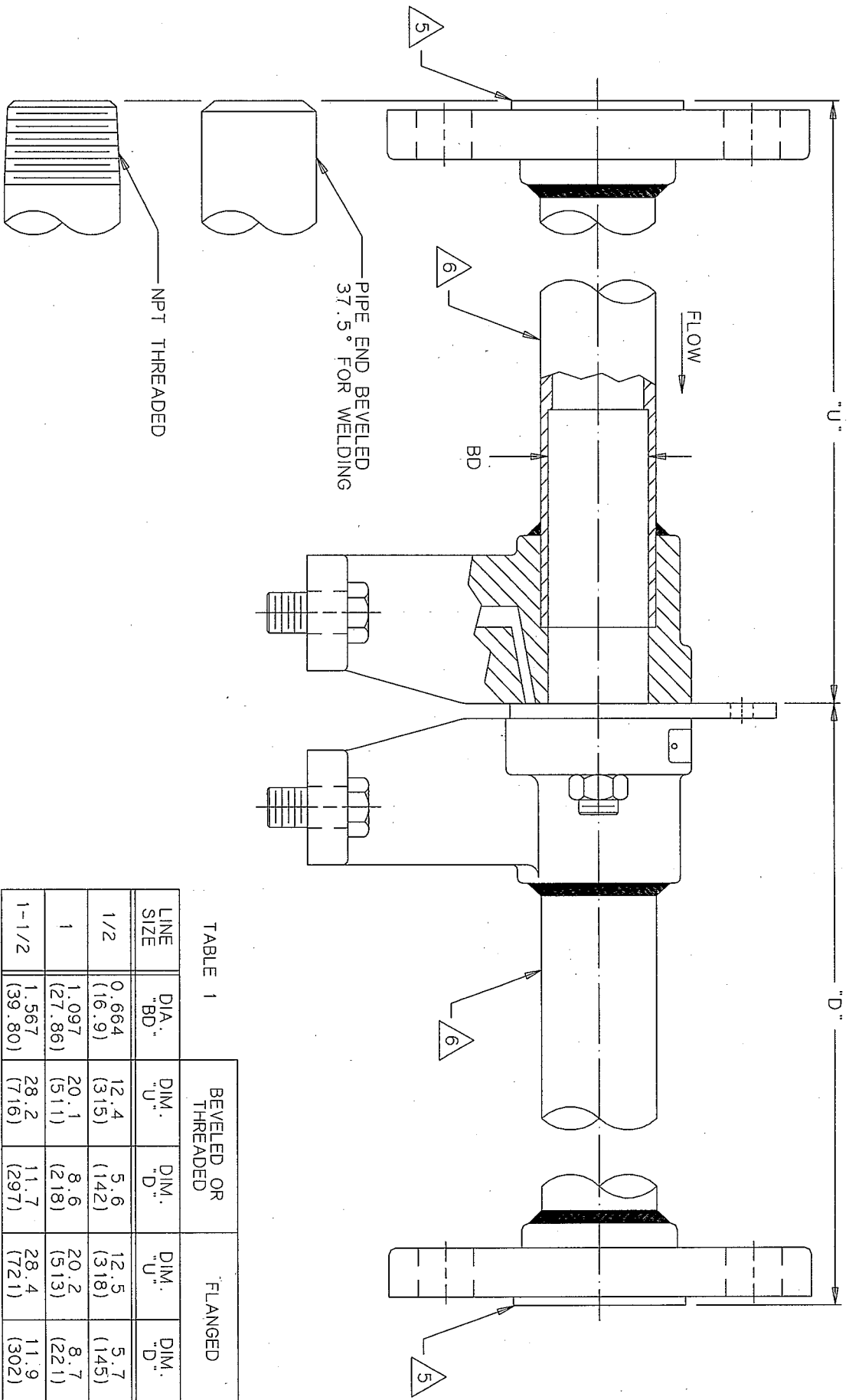


TABLE 1

LINE SIZE	DIA. "BD"	BEVELED OR THREADED		FLANGED	
		DIM. "U"	DIM. "D"	DIM. "U"	DIM. "D"
1/2	0.664 (16.9)	12.4 (315)	5.6 (142)	12.5 (318)	5.7 (145)
1	1.097 (27.86)	20.1 (511)	8.6 (218)	20.2 (513)	8.7 (221)
1-1/2	1.567 (39.80)	28.2 (716)	11.7 (297)	28.4 (721)	11.9 (302)

ROSEMOUNT INC.
MINNEAPOLIS, MINN.

THIS DRAWING WAS CREATED ON CAD
VELLUM MASTER IS NOT TO BE CHANGED
DRAWING IS ARCHIVED ON MAGNETIC TAPE
FOR ECO CHANGES.

FILE NAME:

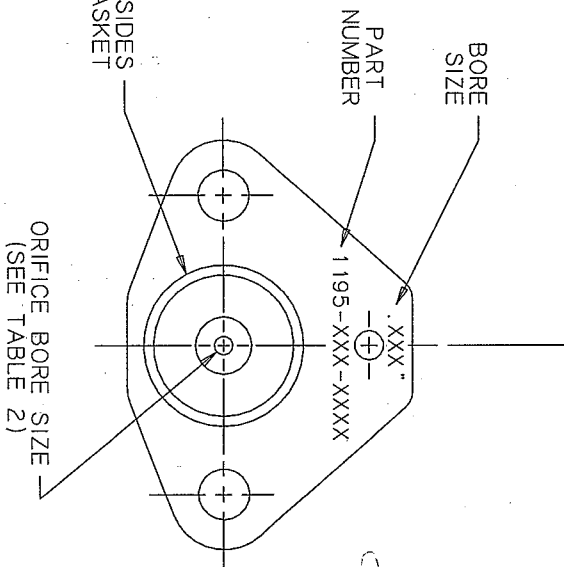
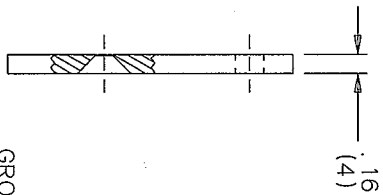
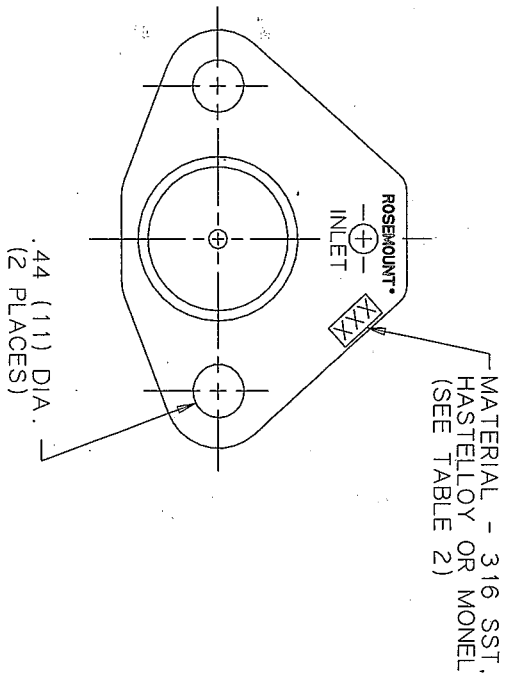
SIZE: A
FSOM, NO.: 04274
SCALE: WT.

DRAWING NO.: 01195-0500
SHEET 3 OF 7

DR

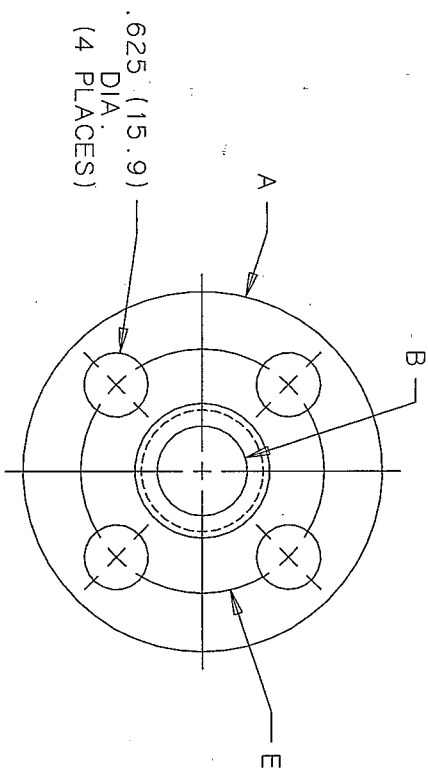
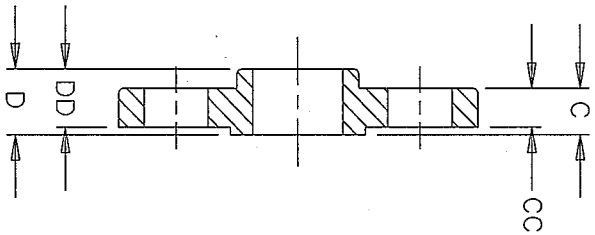
ISSUE

DETAIL "B" - TYPICAL ORIFICE PLATE



ROSEMOUNT INC. MINNEAPOLIS, MINN.			
THIS DRAWING WAS CREATED ON CAD VELLUM MASTER IS NOT TO BE CHANGED DRAWING IS ARCHIVED ON MAGNETIC TAPE FOR ECO CHANGES.			
DR	SIZE	FSCM NO.	DRAWING NO.
ISSUE	A	04274	01195-0500
SCALE:		WT.	SHEET 4 OF 7

DETAIL "C" - ANSI B16.5 150lb, 300lb AND 600lb FLANGE



NOTE: MATERIAL - 316/316L
PER ASTM A182.

LINE SIZE	ANSI 150 lb.				ANSI 300 lb.				ANSI 600 lb.						
	DIA. "A"	DIA. "B"	DIM. "C"	DIM. "D"	DIA. "A"	DIA. "B"	DIM. "C"	DIM. "D"	DIA. "A"	DIA. "B"	DIM. "CC"	DIM. "DD"	DIA. "E"		
1/2	3.50 (88.9)	0.88 (22.4)	0.44 (11.2)	0.62 (15.7)	2.38 (60.5)	3.75 (95.3)	0.88 (22.4)	0.56 (14.2)	0.88 (22.4)	2.62 (66.5)	3.75 (95.3)	0.88 (22.4)	0.56 (14.2)	0.88 (22.4)	2.62 (66.5)
1	4.25 (108.0)	1.36 (34.5)	0.56 (14.2)	0.69 (17.5)	3.12 (79.2)	4.88 (124.0)	1.36 (34.5)	0.69 (17.5)	1.06 (26.9)	3.50 (88.9)	4.88 (124.0)	1.36 (34.5)	0.69 (17.5)	1.06 (26.9)	3.50 (88.9)
1-1/2	5.00 (127.0)	1.95 (49.5)	0.69 (17.5)	0.88 (22.4)	3.88 (98.6)	6.12 (155.4)	1.95 (49.5)	0.81 (20.6)	1.19 (30.2)	4.50 (114.3)	6.12 (155.4)	1.95 (49.5)	0.88 (22.4)	1.25 (31.8)	4.50 (114.3)

ROSEMOUNT INC.
MINNEAPOLIS, MINN.

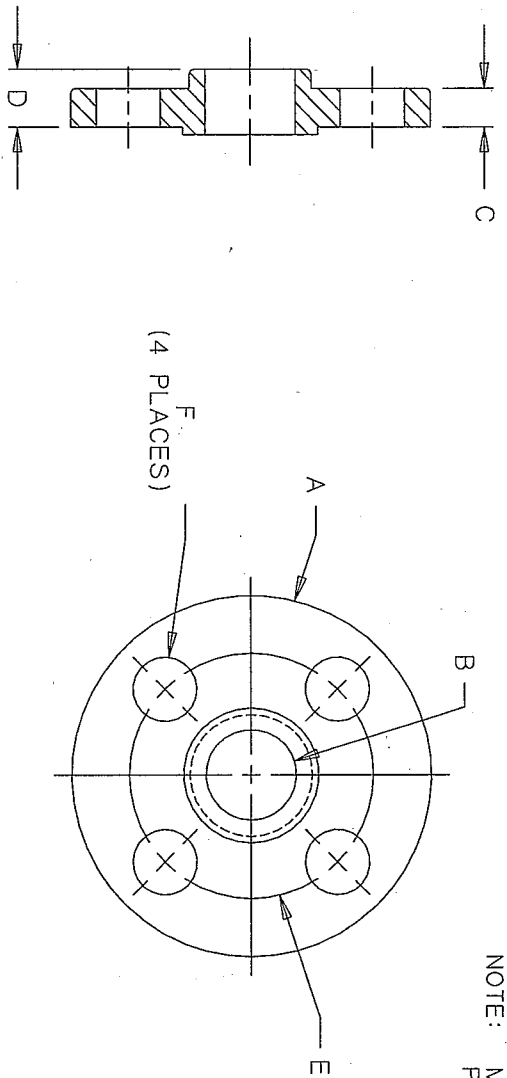
THIS DRAWING WAS CREATED ON CAD.
VELLUM MASTER IS NOT TO BE CHANGED
FOR ECO CHANGES.

FILE NAME: _____

SIZE: A
FSCM NO: 04274
DRAWING NO: 01195-0500

DR: _____
ISSUE: _____
SCALE: _____ WT. _____ SHEET 5 OF 7

DETAIL "CC" - ANSI B16.5, 900 lb. AND 1500 lb. FLANGE



NOTE: MATERIAL - 316/316L
PER ASTM A182.

LINE SIZE	ANSI 900 lb.						ANSI 1500 lb.					
	DIA. "A"	DIA. "B"	DIM. "C"	DIM. "D"	DIA. "E"	DIA. "F"	DIA. "A"	DIA. "B"	DIM. "C"	DIM. "D"	DIA. "E"	DIA. "F"
1/2	4.75 (120.7)	0.88 (22.4)	0.88 (22.4)	1.25 (31.8)	3.25 (82.6)	0.88 (22.4)	4.75 (120.7)	0.88 (22.4)	0.88 (22.4)	1.25 (31.8)	3.25 (82.6)	0.88 (22.4)
1	5.88 (149.4)	1.36 (34.5)	1.12 (28.4)	1.62 (41.1)	4.00 (127.0)	1.00 (25.4)	5.88 (149.4)	1.36 (34.5)	1.12 (28.4)	1.62 (41.1)	4.00 (127.0)	1.00 (25.4)
1-1/2	7.00 (177.8)	1.95 (49.5)	1.25 (31.8)	1.75 (44.5)	4.38 (111.3)	1.12 (28.4)	7.00 (177.8)	1.95 (49.5)	1.25 (31.8)	1.75 (44.5)	4.38 (111.3)	1.12 (28.4)

THIS DRAWING WAS CREATED ON CAD
VELLUM MASTER IS NOT TO BE CHANGED
DRAWING IS ARCHIVED ON MAGNETIC TAPE
FOR ECO CHANGES.

ROSEMOUNT INC.
MINNEAPOLIS, MINN.

FILE NAME:

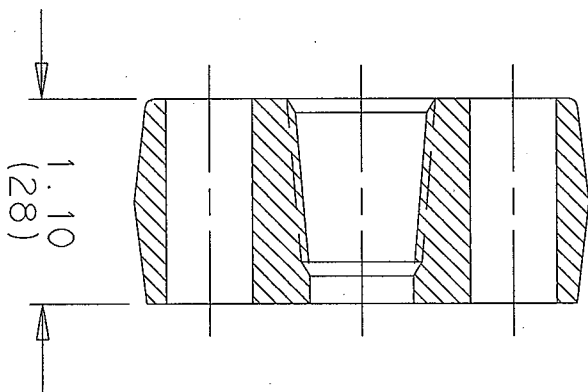
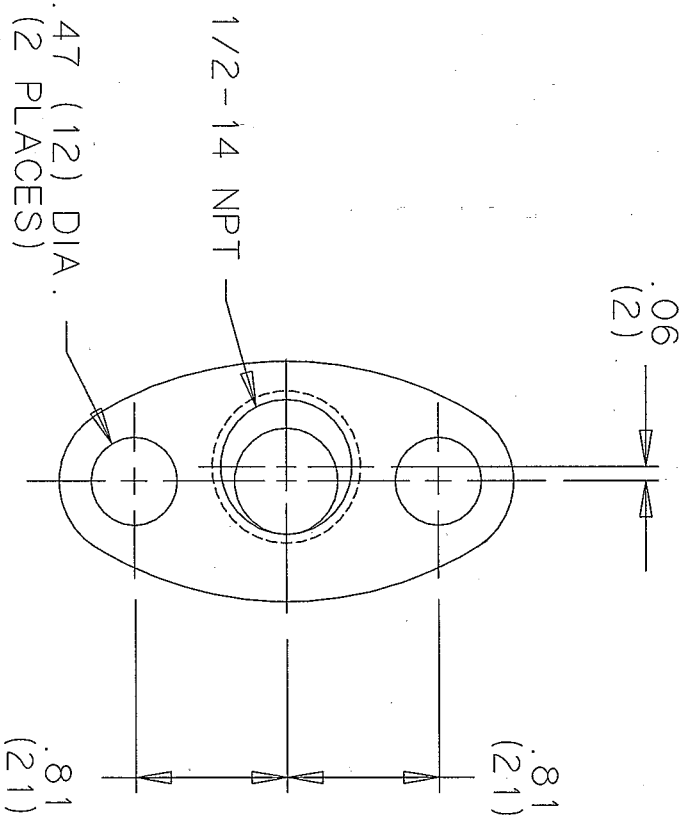
SIZE: A FSCM NO. 04274 DRAWING NO. 01195-0500

DR SCALE: WT. SHEET 6 OF 7

ISSUE

DETAIL "D" - REMOTE ADAPTER

NOTE: MATERIAL - 316 SST OR HASTELLOY
(SEE TABLE 2)



ROSEMOUNT INC. MINNEAPOLIS, MINN.				THIS DRAWING WAS CREATED ON CAD VELLUM MASTER IS NOT TO BE CHANGED. DRAWING IS ARCHIVED ON MAGNETIC TAPE FOR ECO CHANGES.			
DR	SIZE	FCOM. NO.	DRAWING NO.	FILE NAME:	SCALE:	WT.	SHEET
ISSUE	A	04274	01195-0500				7 OF 7