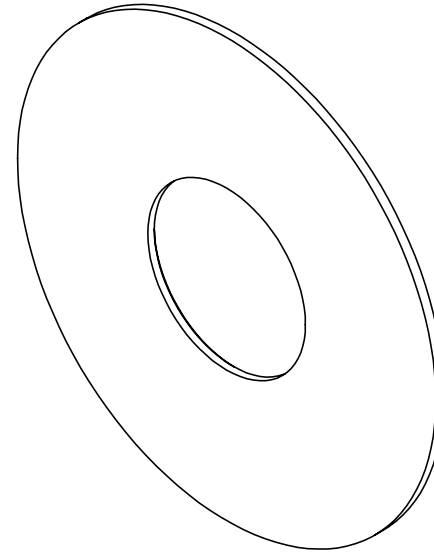


REVISIONS				
REV	DESCRIPTION	CHG.NO.	APP'D	DATE
AA	NEW RELEASE	EC004683	MH	1/14/04

NOTES:

- ROSEMOUNT INC. CERTIFIES THIS DRAWING IS IN ACCORDANCE WITH ROSEMOUNT ENGINEERING SPECIFICATIONS AND ACCURATELY REPRESENTS THE EQUIPMENT FURNISHED.
- ORIFICE PLATE ORIENTATION SHOWN FOR DETAIL ONLY. FOR ACTUAL RECOMMENDED LOCATION AND ORIENTATION REFER TO INSTALLATION INSTRUCTION MANUAL 00809-0100-4792 AND PAGE 14 OF THIS DOCUMENT.
- FOR MODEL SELECTIONS, MATERIALS, AND OPTIONS, REFER TO ROSEMOUNT PRODUCT DATA SHEET 00813-0100-4792.
- MODEL 1495 MAXIMUM TEMPERATURE IS 850°F (OBSERVE GASKET MATERIAL TEMPERATURE LIMITATIONS).
- ORIFICE FLANGES, STUDS, NUTS AND GASKETS ARE NOT INCLUDED WITH MODEL 1495.
- PLATE HOLDERS MUST BE SPECIFIED BY ORDERING THE PLATE HOLDER OPTION



*UNLESS OTHERWISE SPECIFIED DIMENSIONS IN INCHES (MM)		TYPE I		ROSEMOUNT® BOULDER, COLORADO	
*ALL DIMENSIONS ARE NOMINAL AND ARE FOR REFERENCE ONLY		DR. DMK	11/13/03	TITLE DIMENSIONAL DRAWINGS FOR MODEL 1495 UNIVERSAL STYLE ORIFICE PLATE PRIMARY	
		APPROVAL		DRAWING NO. 01495-1003	
		DRAWING K. GREEN	12/20/03	SIZE A	
		TAGGING		SCALE: NONE	
SPECIALS				SHEET 1 OF 15	

**TABLE 1
UNIVERSAL PLATE DIMENSIONS**

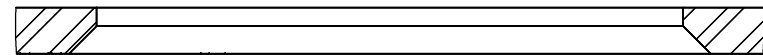
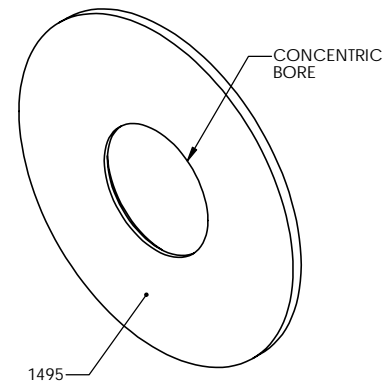
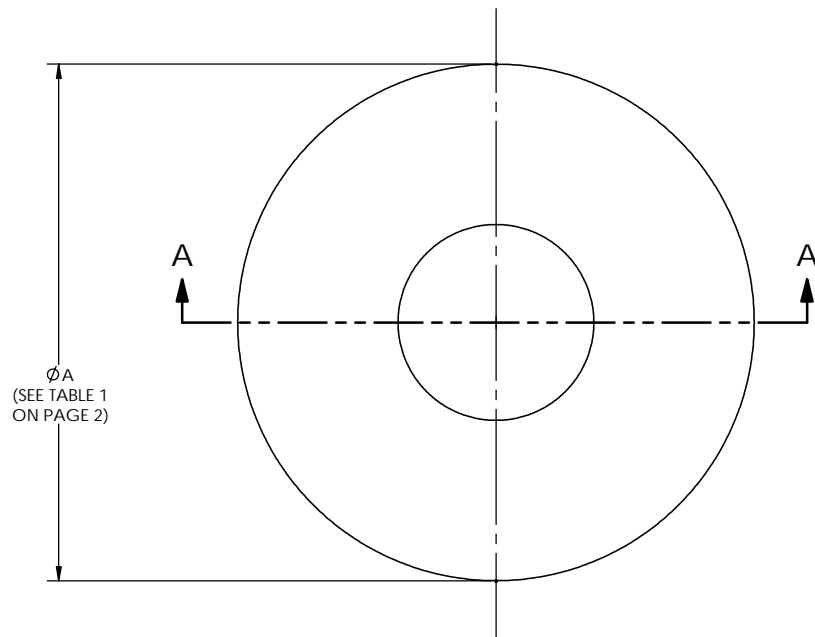
LINE SIZE	'ØA' (OD)	'B' (DEFAULT THICKNESS)
2"	2.44	0.13
2-1/2"	2.81	0.13
3"	3.44	0.13
4"	4.41	0.13
6"	6.44	0.13
8"	8.44	0.25
10"	10.69	0.25
12"	12.59	0.38
14"	14.00	0.38
16"	16.00	0.38
18"	18.00	0.38
20"	20.00	0.38
24"	24.00	0.38

TABLE 2

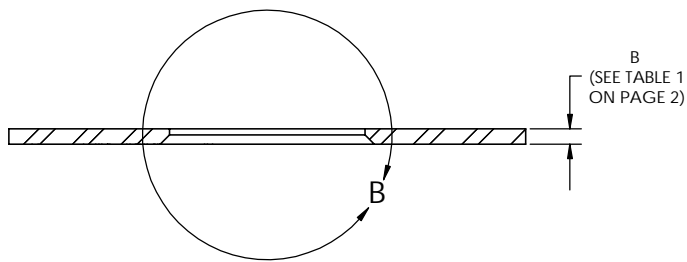
LINE SIZE	FLANGE RATING											
	150#				300#				600#			
	Ring No.	C	D	E	Ring No.	C	D	E	Ring No.	C	D	E
2" (DN 50)	R-22	3.56	6.50	1.06	R-23	3.69	6.50	1.06	R-23	3.69	6.50	1.06
2-1/2" (DN 65)	R-25	4.31	6.50	1.06	R-26	4.44	6.50	1.06	R-26	4.44	6.50	1.06
3" (DN 80)	R-29	4.81	6.50	1.06	R-31	5.31	6.50	1.06	R-31	5.31	6.50	1.06
4" (DN 100)	R-36	6.19	6.50	1.06	R-37	6.31	6.50	1.06	R-37	6.31	6.50	1.06
6" (DN 150)	R-43	7.94	7.50	1.06	R-45	8.75	7.50	1.06	R-45	8.75	7.50	1.06
8" (DN 200)	R-48	10.06	7.50	1.06	R-49	11.06	7.50	1.06	R-49	11.06	7.50	1.06
10" (DN 250)	R-52	12.31	8.50	1.06	R-53	13.19	8.50	1.06	R-53	13.19	8.50	1.06
12" (DN 300)	R-56	15.31	9.50	1.06	R-57	15.44	9.50	1.06	R-57	15.44	9.50	1.06
14" (DN 350)	R-59	15.94	9.50	1.06	R-61	16.94	9.50	1.06	R-61	16.94	9.50	1.06
16" (DN 400)	R-64	18.06	10.50	1.19	R-65	18.94	10.50	1.19	R-65	18.94	10.50	1.19
18" (DN 450)	R-68	20.69	10.50	1.19	R-69	21.44	10.50	1.19	R-69	21.44	10.50	1.19
20" (DN 500)	R-72	22.31	11.50	1.25	R-73	23.50	11.50	1.25	R-73	23.50	11.50	1.25
24" (DN 600)	R-76	26.81	11.50	1.44	R-77	27.88	11.50	1.44	R-77	27.88	11.50	1.44
LINE SIZE	FLANGE RATING											
	900#				1500#				2500#			
	Ring No.	C	D	E	Ring No.	C	D	E	Ring No.	C	D	E
2" (DN 50)	R-24	4.19	6.50	1.06	R-24	4.19	6.50	1.06	R-26	4.44	6.50	1.06
2-1/2" (DN 65)	R-27	4.69	6.50	1.06	R-27	4.69	6.50	1.06	R-28	4.83	6.50	1.19
3" (DN 80)	R-31	5.31	6.50	1.06	R-35	5.81	6.50	1.06	R-32	5.50	7.50	1.19
4" (DN 100)	R-37	6.31	6.50	1.06	R-39	6.81	6.50	1.06	R-38	6.81	7.50	1.31
6" (DN 150)	R-45	8.75	7.50	1.06	R-46	8.81	7.50	1.19	R-47	9.75	8.50	1.44
8" (DN 200)	R-49	11.06	7.50	1.06	R-50	11.25	7.50	1.44	R-51	11.88	9.50	1.69
10" (DN 250)	R-53	13.19	8.50	1.06	R-54	13.38	8.50	1.44	R-55	14.63	9.50	2.00
12" (DN 300)	R-57	15.44	9.50	1.06	R-58	15.88	9.50	1.69	R-60	17.25	10.50	2.13
14" (DN 350)	R-62	17.13	9.50	1.31	R-63	17.50	9.50	1.88				
16" (DN 400)	R-66	19.13	10.50	1.44	R-67	19.63	10.50	2.13				
18" (DN 450)	R-70	21.75	10.50	1.56	R-71	22.13	10.50	2.13				
20" (DN 500)	R-74	23.75	11.50	1.56	R-75	24.25	11.50	2.13				
24" (DN 600)	R-78	28.25	11.50	1.88	R-79	28.63	11.50	2.44				

ROSEMOUNT®
BOULDER, COLORADO

SIZE A	FSCM.NO.	DRAWING NO. 01495-1003
SCALE: NONE WT.		SHEET 2 OF 15



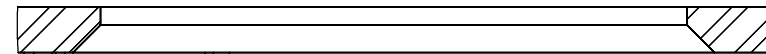
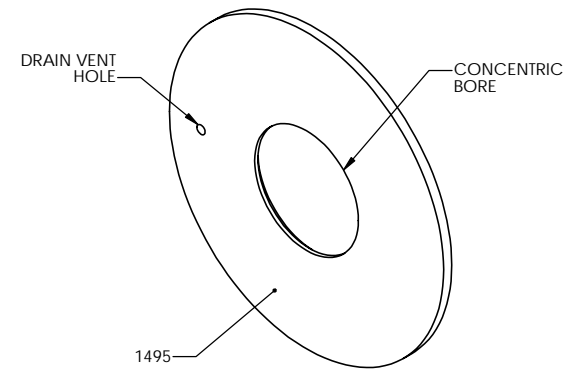
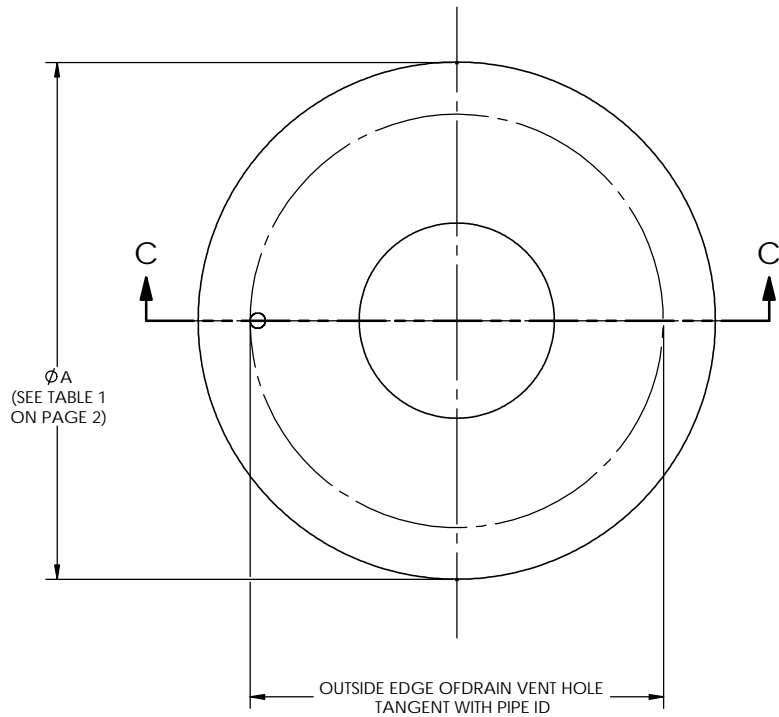
DETAIL B
SCALE 2 : 1



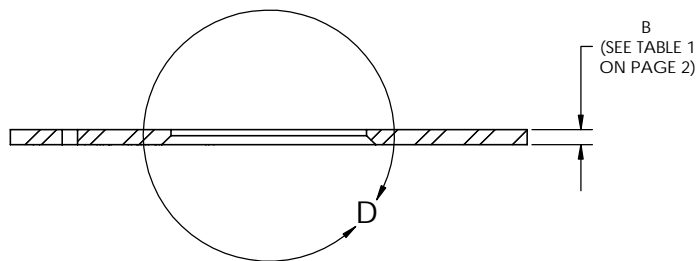
SECTION A-A

CONCENTRIC BORE

ROSEMOUNT®			
BOULDER, COLORADO			
SIZE A	FSCM.NO.	DRAWING NO.	01495-1003
SCALE: NONE WT.			SHEET 3 OF 15



DETAIL D
SCALE 2 : 1



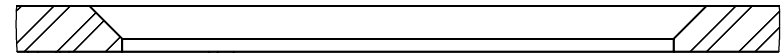
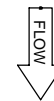
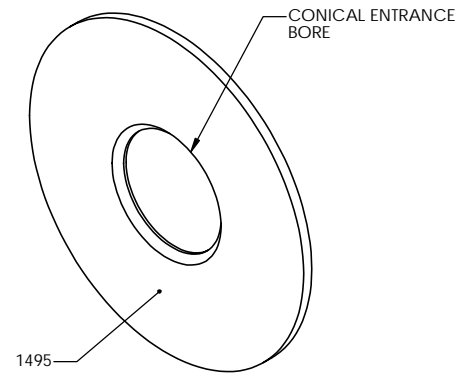
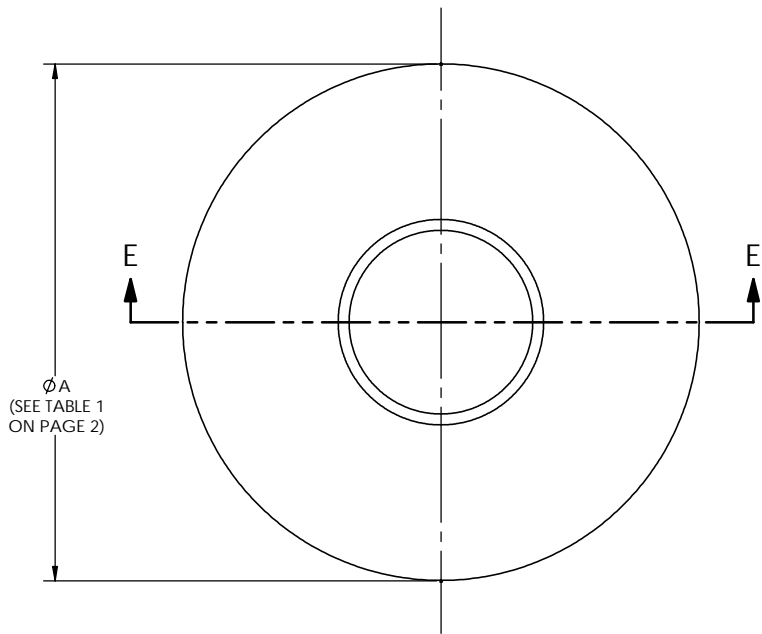
SECTION C-C

**CONCENTRIC BORE
WITH DRAIN VENT HOLE**

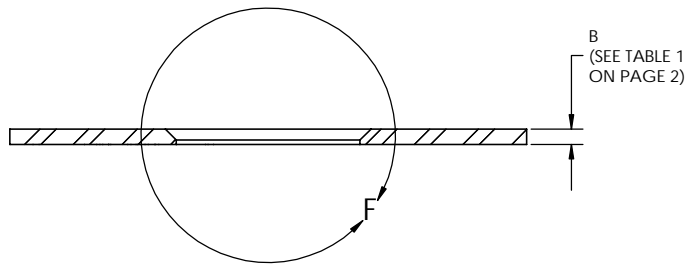
ROSEMOUNT®

BOULDER, COLORADO

SIZE A	FSCM.NO.	DRAWING NO. 01495-1003
SCALE: NONE WT.		SHEET 4 OF 15



DETAIL F
SCALE 2 : 1



SECTION E-E

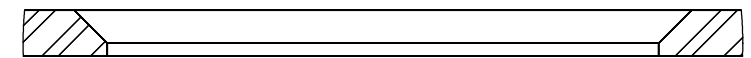
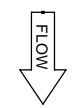
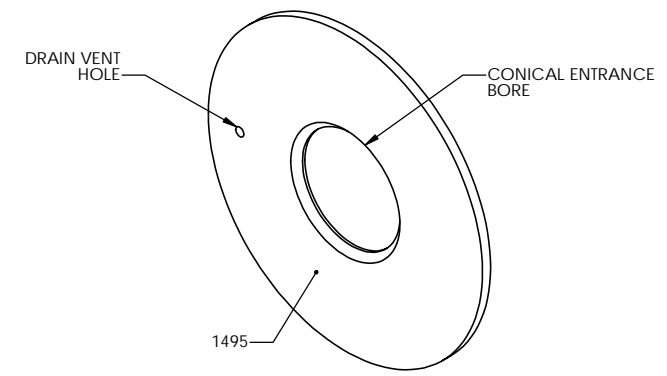
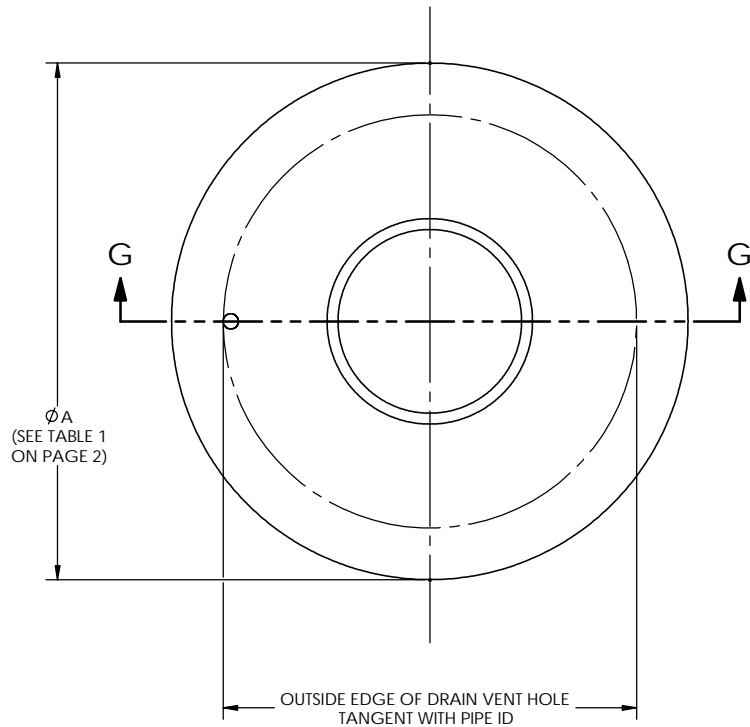
CONICAL ENTRANCE BORE

ROSEMOUNT®

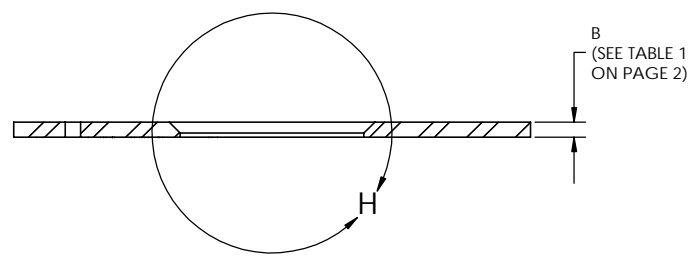
BOULDER, COLORADO

SIZE A	FSCM.NO.	DRAWING NO. 01495-1003
-----------	----------	---------------------------

SCALE: NONE WT.	SHEET 5 OF 15
-------------------	---------------



DETAIL H
SCALE 2 : 1



SECTION G-G

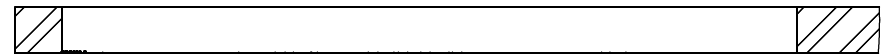
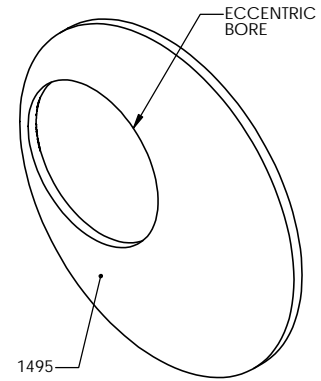
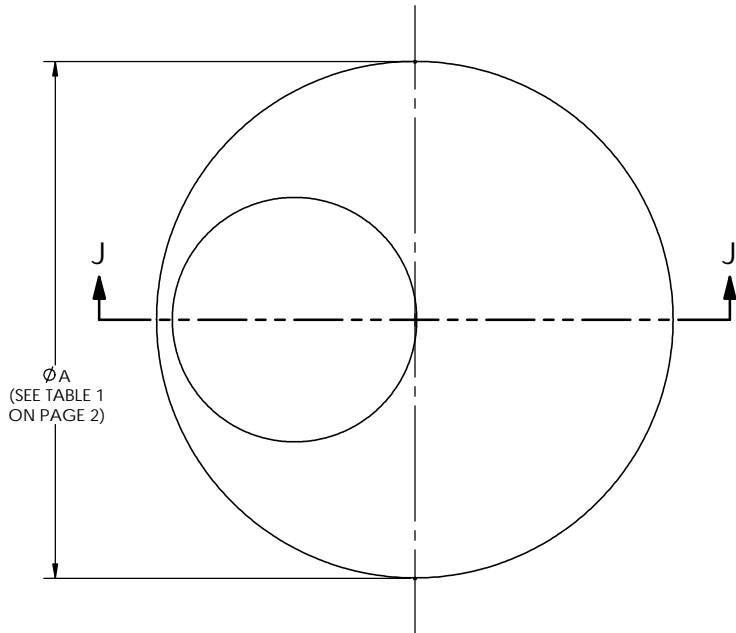
**CONICAL ENTRANCE BORE
WITH DRAIN VENT HOLE**

ROSEMOUNT[®]

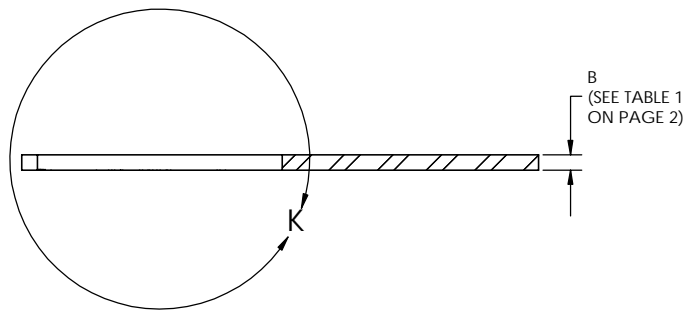
BOULDER, COLORADO

SIZE A	FSCM.NO.	DRAWING NO. 01495-1003
-----------	----------	----------------------------------

SCALE: NONE WT.	SHEET 6 OF 15
-------------------	---------------



DETAIL K
SCALE 2 : 1



SECTION J-J

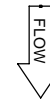
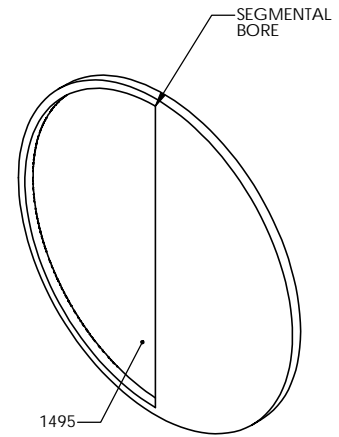
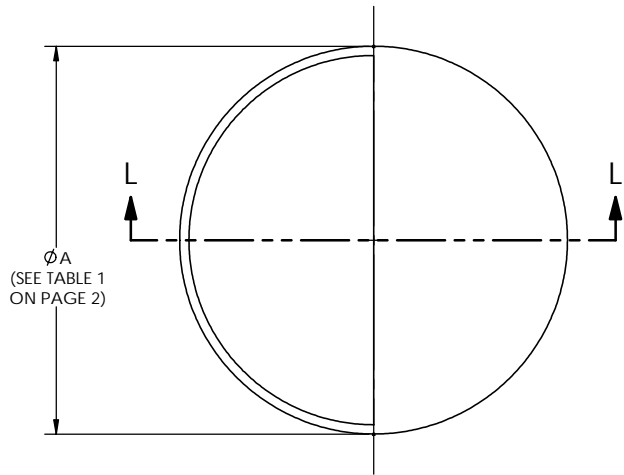
ECCENTRIC BORE

ROSEMOUNT®

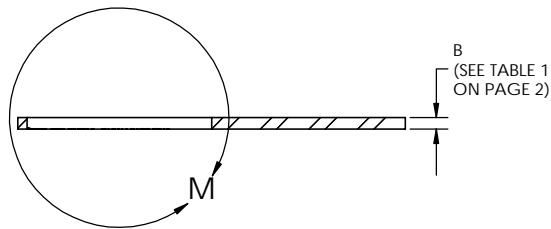
BOULDER, COLORADO

SIZE A	FSCM.NO.	DRAWING NO. 01495-1003
-----------	----------	---------------------------

SCALE: NONE WT.	SHEET 7 OF 15
-------------------	---------------



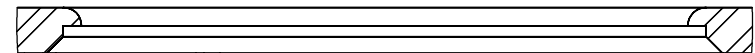
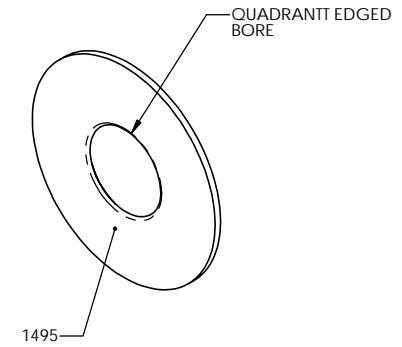
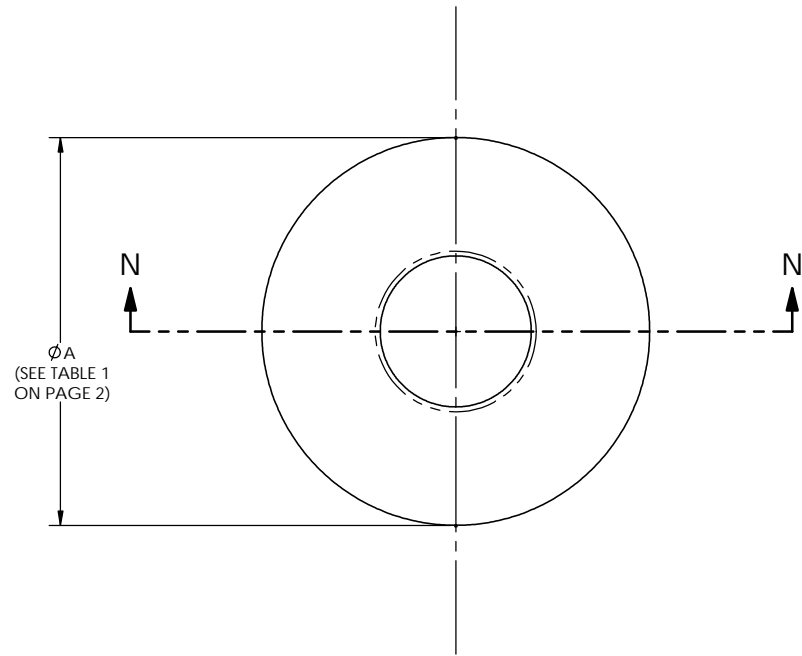
DETAIL M
SCALE 2 : 1



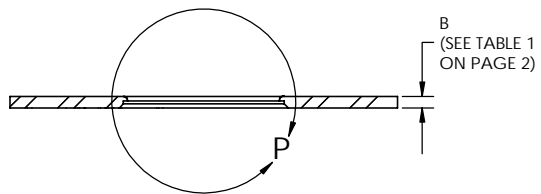
SECTION L-L

SEGMENTAL BORE

ROSEMOUNT [®]			
<small>BOULDER, COLORADO</small>			
SIZE A	FSCM.NO.	DRAWING NO.	01495-1003
SCALE: NONE WT.			SHEET 8 OF 15



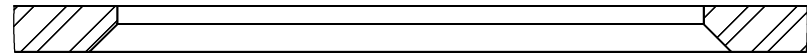
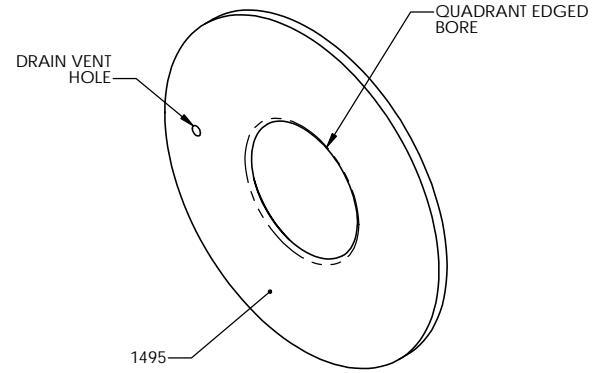
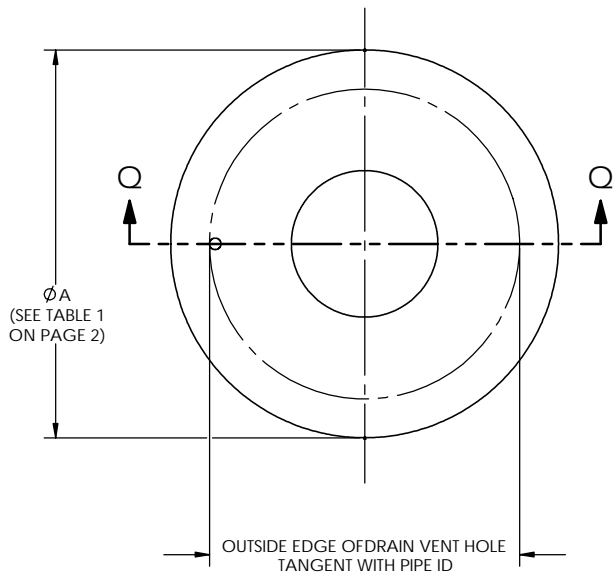
DETAIL P
SCALE 2 : 1



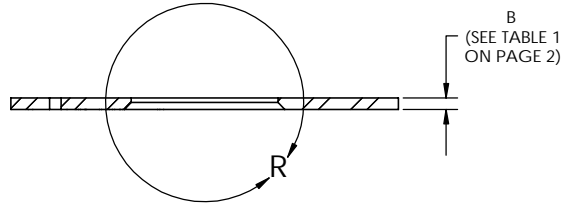
SECTION N-N

QUADRANT EDGED BORE

ROSEMOUNT®			
BOULDER, COLORADO			
SIZE A	FSCM.NO.	DRAWING NO.	01495-1003
SCALE: NONE WT.			SHEET 9 OF 15



DETAIL R
SCALE 2 : 1



SECTION Q-Q

**QUADRANT EDGED BORE
WITH DRAIN VENT HOLE**

ROSEMOUNT®

BOULDER, COLORADO

SIZE A	FSCM.NO.	DRAWING NO. 01495-1003
-----------	----------	----------------------------------

SCALE: NONE WT.	SHEET 10 OF 15
-------------------	----------------

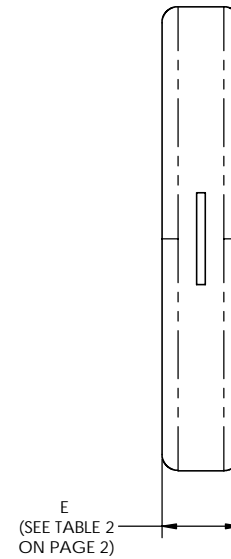
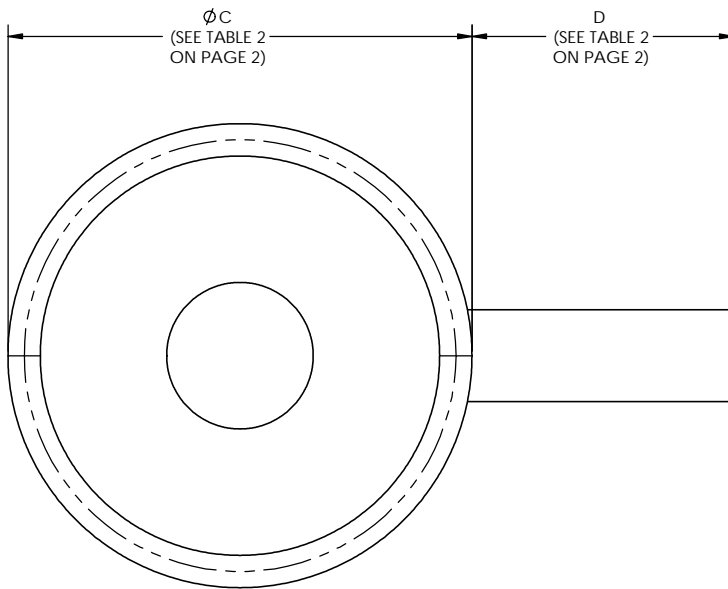
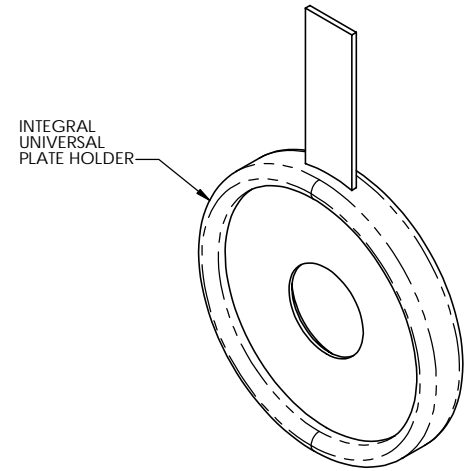
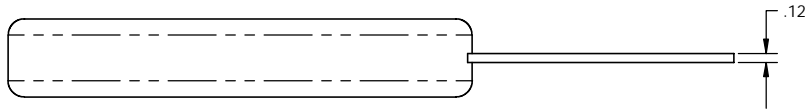


PLATE HOLDER TYPE
INTEGRAL

ROSEMOUNT®

BOULDER, COLORADO

SIZE A	FSCM.NO.	DRAWING NO. 01495-1003
-----------	----------	----------------------------------

SCALE: NONE WT.	SHEET 11 OF 15
-------------------	----------------

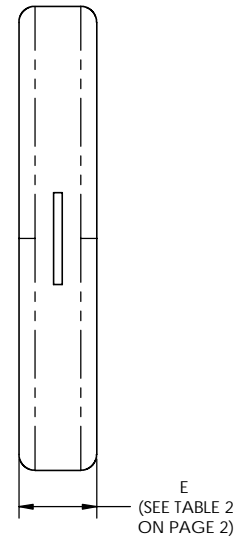
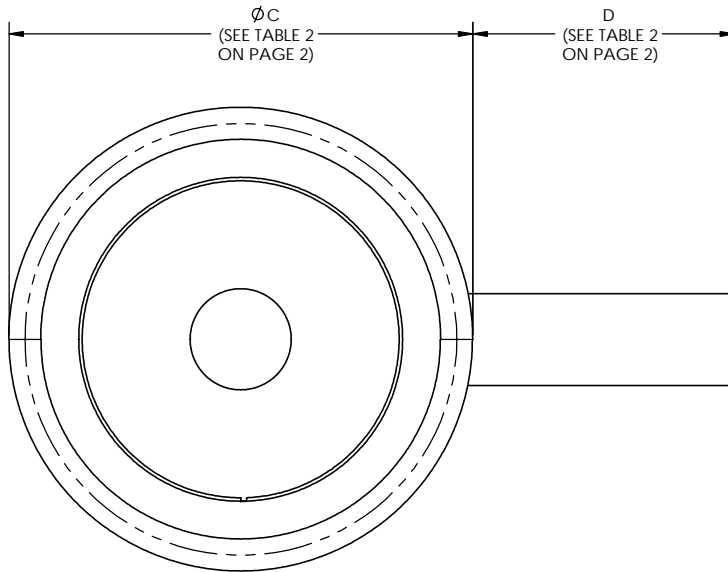
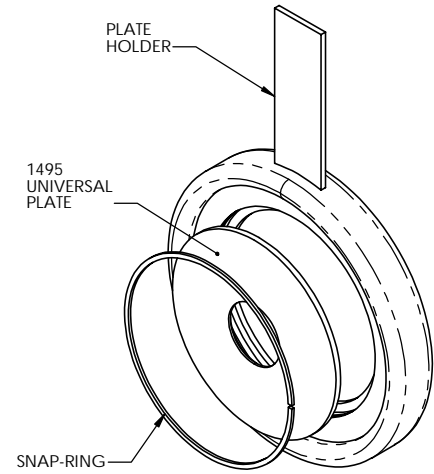
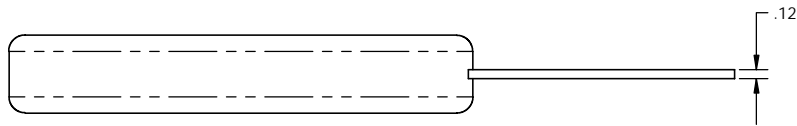


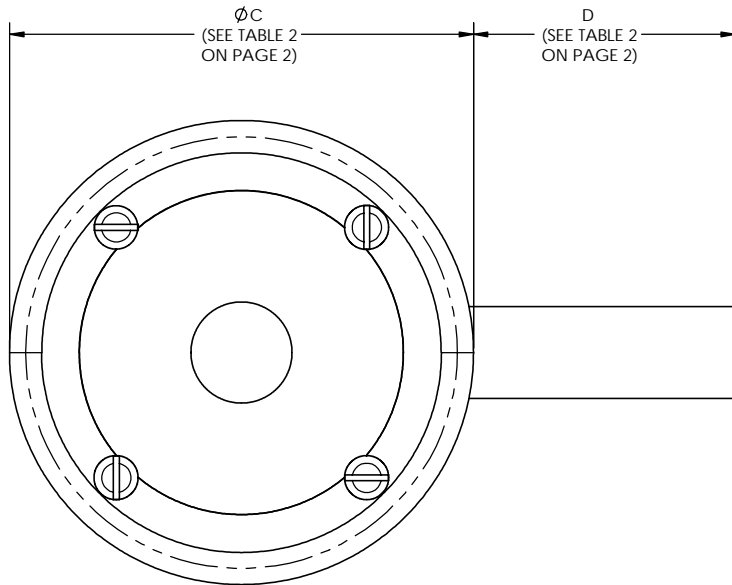
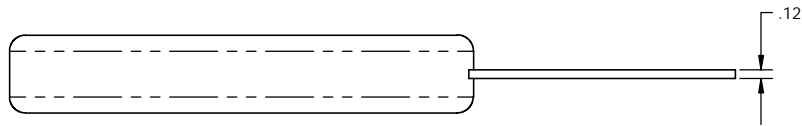
PLATE HOLDER OPTION
SNAP-RING TYPE

ROSEMOUNT®

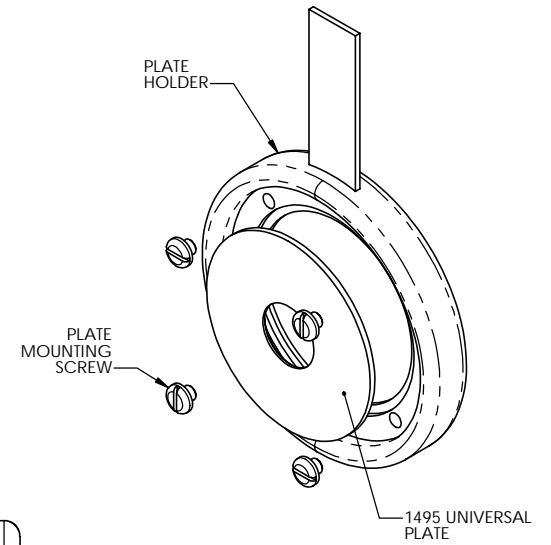
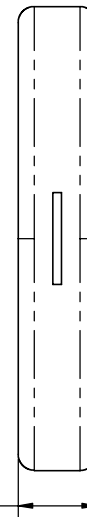
BOULDER, COLORADO

SIZE A	FSCM.NO.	DRAWING NO. 01495-1003
-----------	----------	----------------------------------

SCALE: NONE WT.	SHEET 12 OF 15
-------------------	----------------



E
(SEE TABLE 2
ON PAGE 2)



***PLATE HOLDER OPTION
SCREW-TYPE***

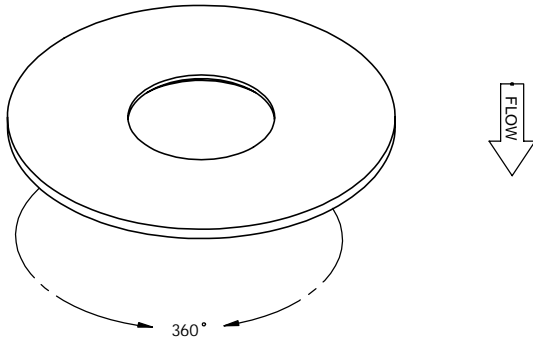
ROSEMOUNT®

BOULDER, COLORADO

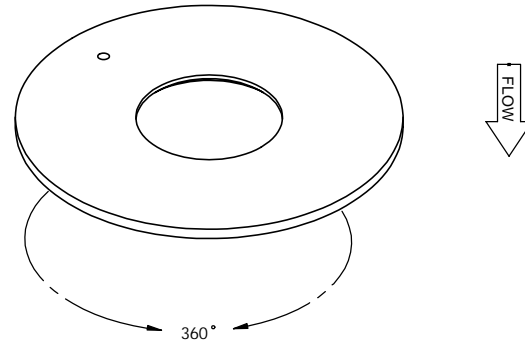
SIZE A	FSCM.NO.	DRAWING NO. 01495-1003
-----------	----------	----------------------------------

SCALE: NONE WT.	SHEET 13 OF 15
-------------------	----------------

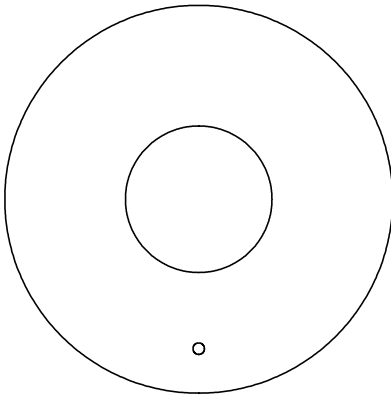
HORIZONTAL / VERTICAL GAS, LIQUID AND STEAM
(RECOMMENDED INSTALLATION)



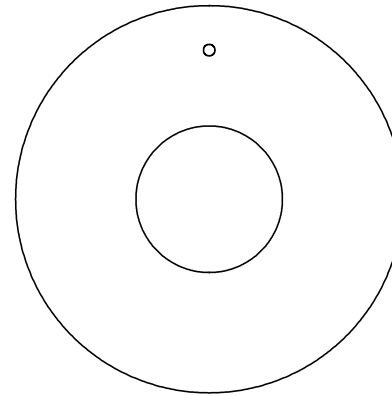
VERTICAL WITH DRAIN VENT HOLE
GAS, LIQUID AND STEAM
(RECOMMENDED INSTALLATION)



HORIZONTAL WITH DRAIN VENT HOLE
GAS AND STEAM
(RECOMMENDED INSTALLATION)



HORIZONTAL WITH DRAIN VENT HOLE
LIQUID
(RECOMMENDED INSTALLATION)



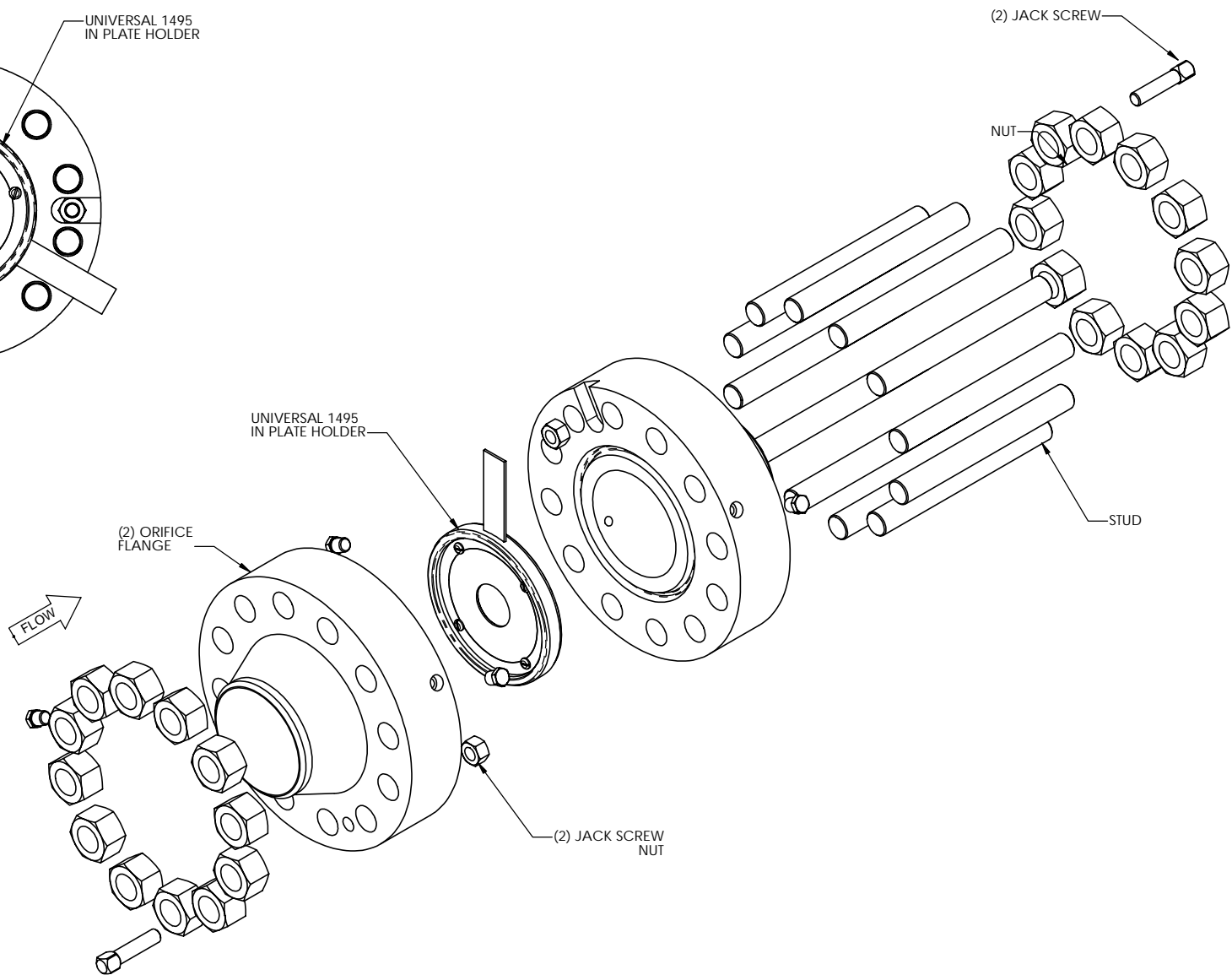
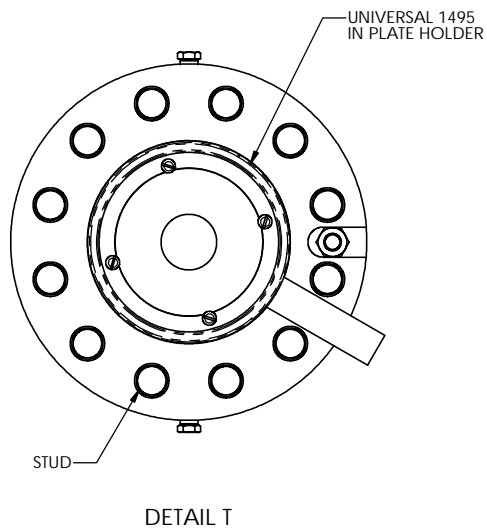
ORIENTATION VIEW

ROSEMOUNT®

BOULDER, COLORADO

SIZE A	FSCM.NO.	DRAWING NO. 01495-1003
-----------	----------	----------------------------------

SCALE: NONE WT.	SHEET 14 OF 15
-------------------	----------------



EXPLODED INSTALLATION VIEW

ROSEMOUNT®

BOULDER, COLORADO

SIZE A	FSCM.NO.	DRAWING NO. 01495-1003
-----------	----------	----------------------------------

SCALE: NONE WT.	SHEET 15 OF 15
-------------------	----------------