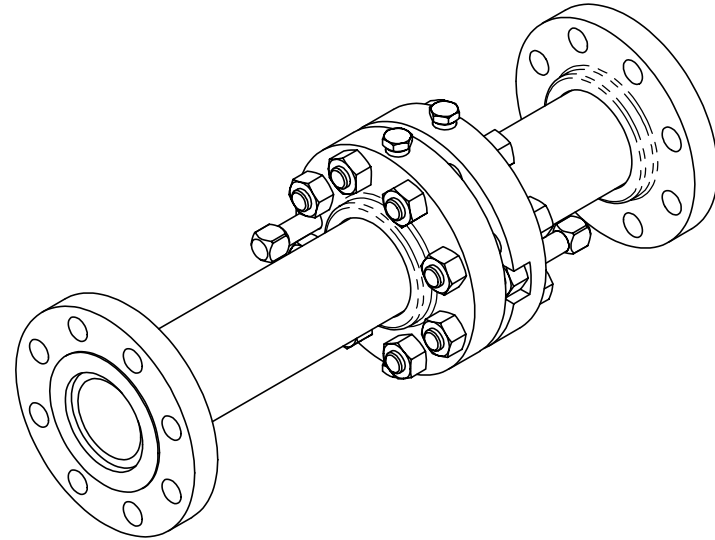


REVISIONS				
REV	DESCRIPTION	CHG.NO.	APP'D	DATE
AA	NEW RELEASE	EC004733	DRV	1/16/04

NOTES:

- ROSEMOUNT INC. CERTIFIES THIS DRAWING IS IN ACCORDANCE WITH ROSEMOUNT ENGINEERING SPECIFICATIONS AND ACCURATELY REPRESENTS THE EQUIPMENT FURNISHED.
- ORIFICE FLANGE UNIONS MEET THE REQUIREMENTS OF ANSI B16.36.
- FOR MODEL SELECTIONS, MATERIALS, AND OPTIONS, REFER TO ROSEMOUNT PRODUCT DATA SHEET 00813-0100-4792.
- MODEL 1497 MAXIMUM TEMPERATURE IS 850°F. MAXIMUM OPERATING TEMPERATURE MAY BE REDUCED DEPENDING ON MATERIAL AND GASKET SELECTIONS. REFER TO ROSEMOUNT PRODUCT DATA SHEET 00813-0100-4792 FOR DETAILS.
- MODEL 1497 INCLUDES ORIFICE FLANGED METER SECTION, STUDS, NUTS, GASKETS, JACK SCREWS, AND PLUGS (PLUGS ARE NOT SUPPLIED WITH SOCKET TAP FLANGES).
- OVERALL LENGTH IN TABLE 1 ARE CALCULATED BASED ON A 1/8" THICK ORIFICE PLATE (ORDERED SEPERATELY) AND 1/16" THICK FLANGE GASKETS (INCLUDED). ACTUAL LENGTHS MAY VARY DEPENDING ON ACTUAL PLATE THICKNESS AND GASKETS USED.
- STANDARD GASKET IS 1/16" THICK NON-ASBESTOS TYPE.



*UNLESS OTHERWISE SPECIFIED DIMENSIONS IN INCHES (MM)		<b>TYPE I</b>		<b>ROSEMOUNT®</b> BOULDER, COLORADO	
*ALL DIMENSIONS ARE NOMINAL AND ARE FOR REFERENCE ONLY		DR.	DMK	12/17/03	TITLE
		APPROVAL			DIMENSIONAL DRAWING FOR MODEL
		DRAWING	K. GREEN	12/19/03	1497 RAISED FACE, SLIP-ON
		TAGGING			ORIFICE METER SECTION
		SPECIALS			SIZE
					A
					DRAWING NO.
					01497-1003
				SCALE: NONE	SHEET 1 OF 14

**TABLE 1**

LINE SIZE	UPSTREAM LENGTH (USL)	DOWNSTREAM LENGTH (DSL)	
		W/O TEMP TAP	W/ TEMP TAP
2"	21.0	11.0	17.0
2-1/2"	26.0	12.0	21.0
3"	32.0	16.0	24.0
4"	41.0	21.0	33.0
6"	62.0	30.0	48.0
8"	81.0	40.0	64.0
10"	101.0	51.0	82.0
12"	120.0	60.0	96.0
14"	134.0	66.0	106.0
16"	153.0	77.0	123.0
18"	173.0	87.0	138.0
20"	194.0	96.0	154.0
24"	230.0	115.0	171.0

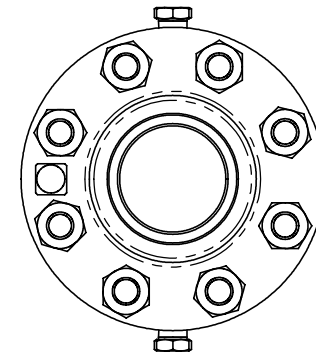
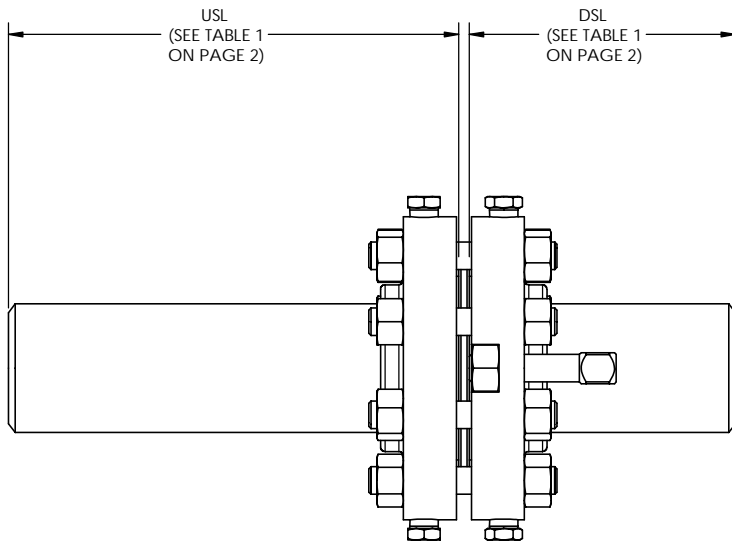
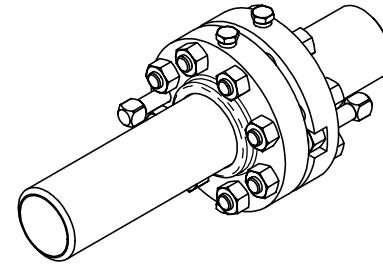
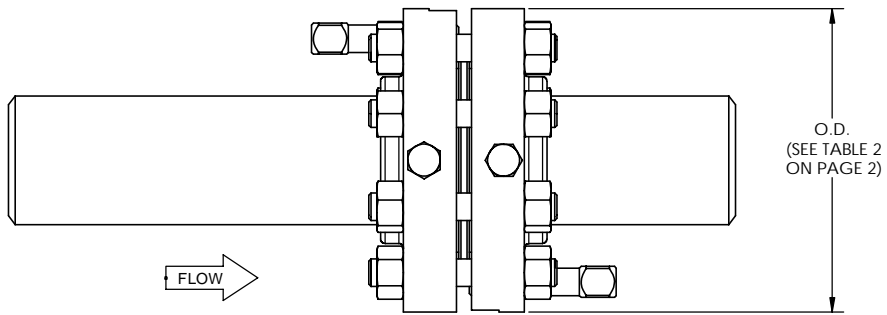
**TABLE 2**

LINE SIZE	FLANGE OUTSIDE DIAMETER
	300#
2"	6.50
2-1/2"	7.50
3"	8.25
4"	10.00
6"	12.50
8"	15.00
10"	17.50
12"	20.50
14"	23.00
16"	25.50
18"	28.00
20"	30.50
24"	36.00

**TABLE 3**

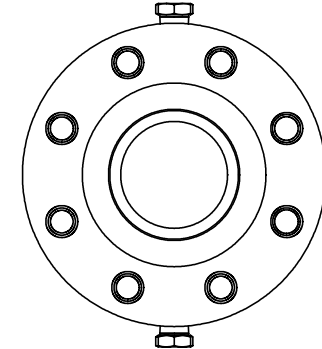
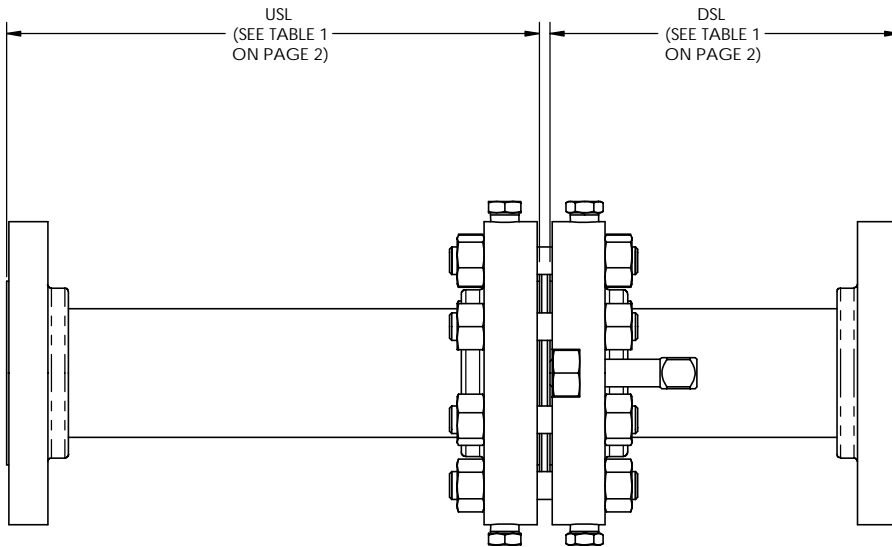
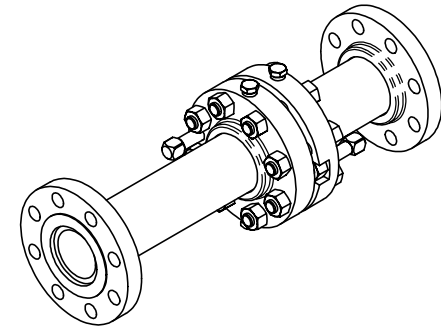
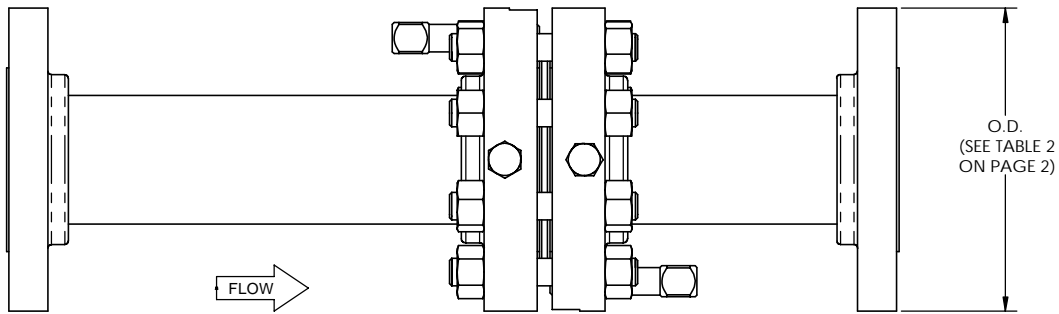
TEMP. TAP SIZE	FLANGED TEMPERATURE TAP HEIGHT (TTH)
	300#
1"	3.63
1-1/2"	4.13
2"	4.38

<b>ROSEMOUNT®</b>		
BOULDER, COLORADO		
SIZE A	FSCM.NO.	DRAWING NO. <b>01497-1003</b>
SCALE: NONE   WT.		SHEET 2 OF 14



**ORIFICE METER SECTION  
WITH BEVELLED PIPE ENDS**

<b>ROSEMOUNT®</b>		
BOULDER, COLORADO		
SIZE A	FSCM.NO.	DRAWING NO. 01497-1003
SCALE: NONE   WT.		SHEET 3 OF 14



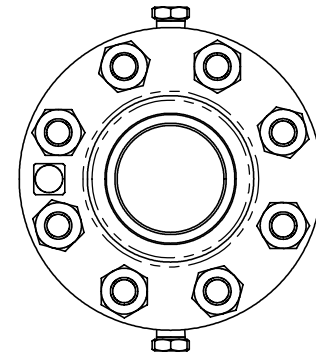
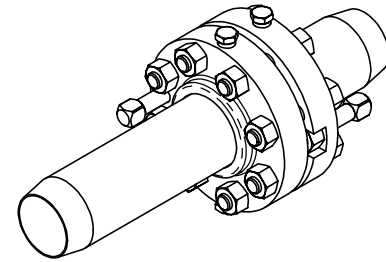
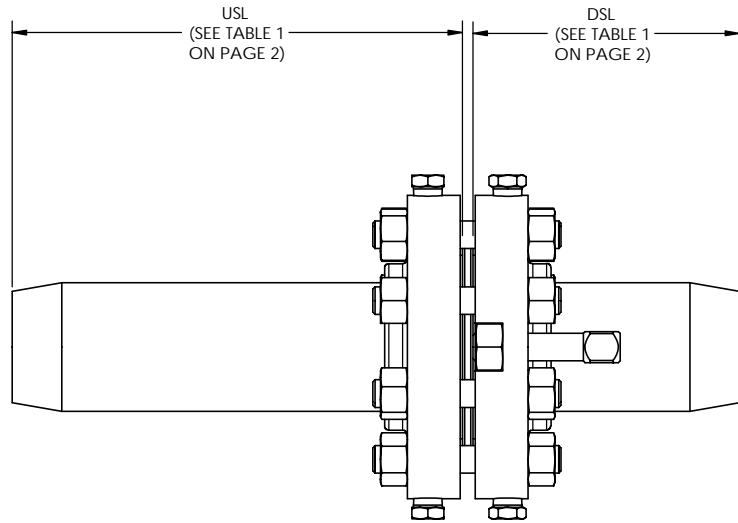
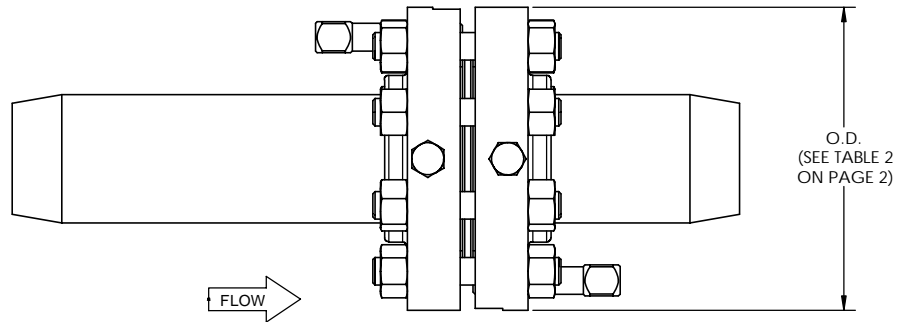
**ORIFICE METER SECTION  
WITH FLANGED PIPE ENDS**

**ROSEMOUNT®**

BOULDER, COLORADO

SIZE A	FSCM.NO.	DRAWING NO. 01497-1003
-----------	----------	---------------------------

SCALE: NONE   WT.	SHEET 4 OF 14
-------------------	---------------



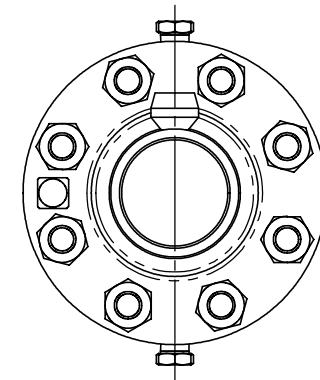
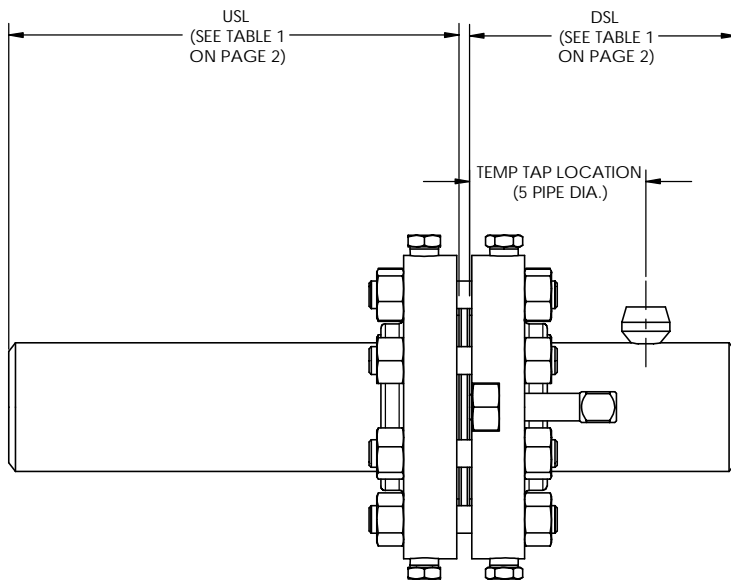
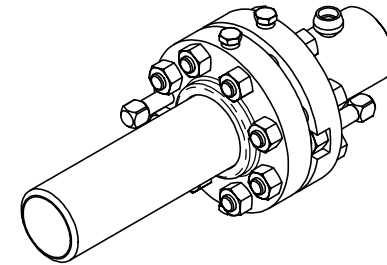
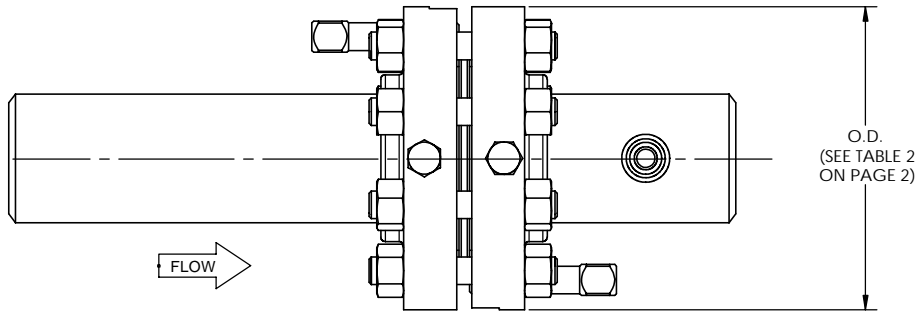
**ORIFICE METER SECTION  
WITH NPT PIPE ENDS**

**ROSEMOUNT®**

BOULDER, COLORADO

SIZE A	FSCM.NO.	DRAWING NO. <b>01497-1003</b>
-----------	----------	----------------------------------

SCALE: NONE   WT.	SHEET 5 OF 14
-------------------	---------------



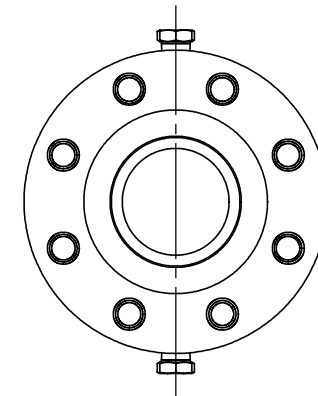
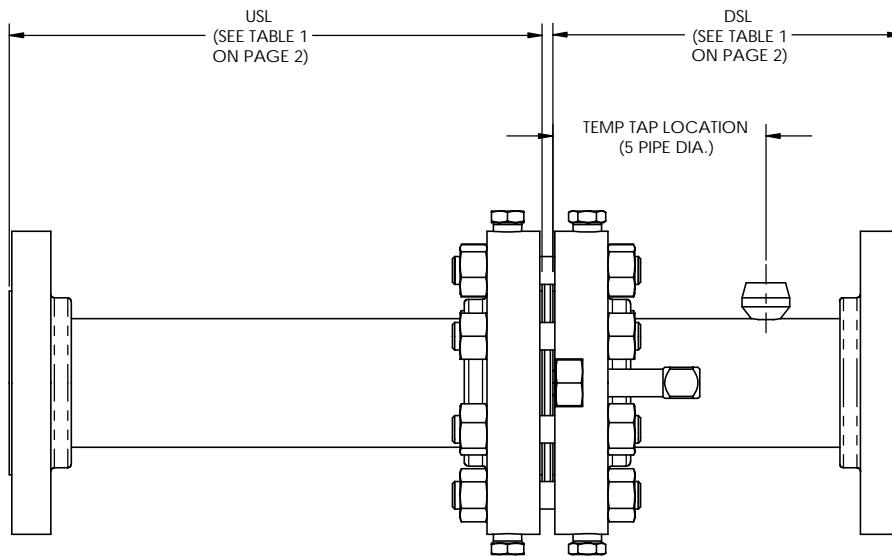
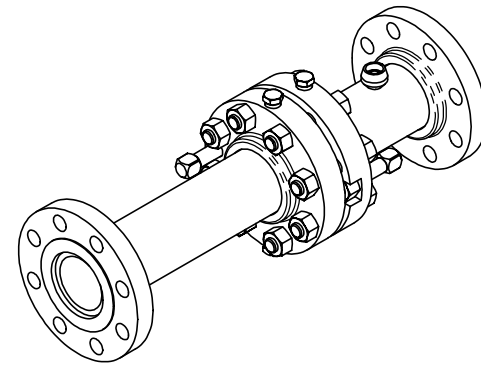
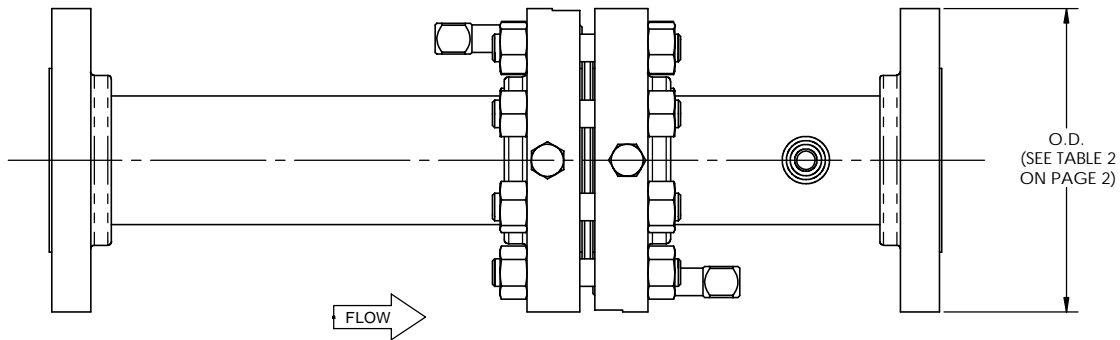
***ORIFICE METER SECTION  
WITH BEVELLED PIPE ENDS  
AND TEMPERATURE TAP***

**ROSEMOUNT®**

BOULDER, COLORADO

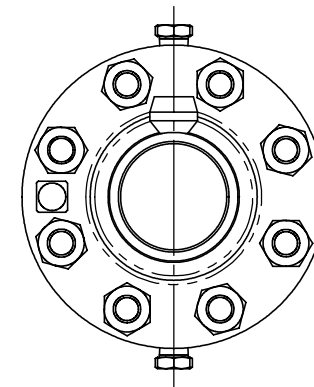
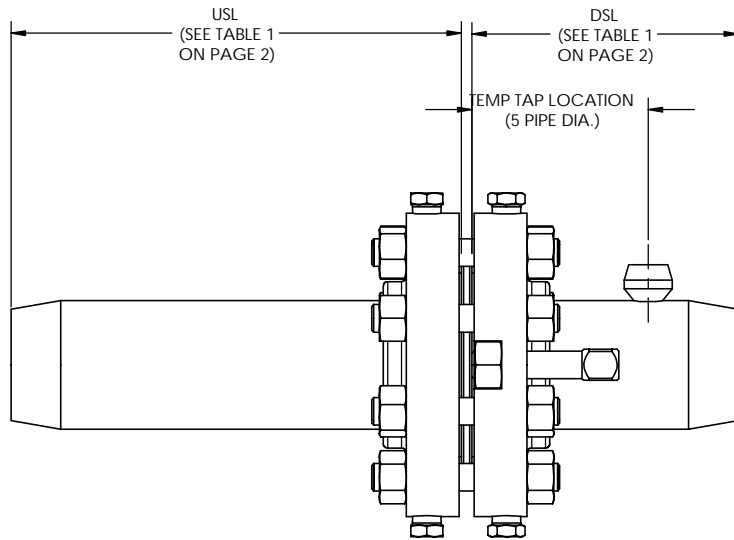
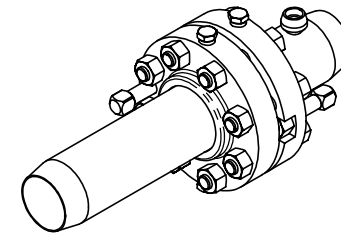
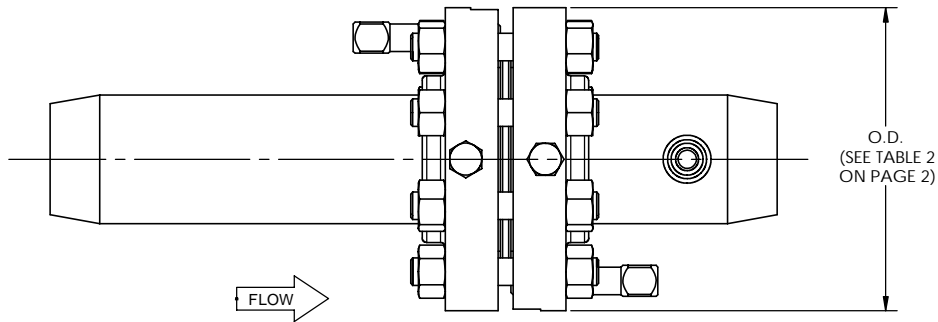
SIZE A	FSCM.NO.	DRAWING NO. 01497-1003
-----------	----------	---------------------------

SCALE: NONE   WT.	SHEET 6 OF 14
-------------------	---------------



**ORIFICE METER SECTION  
WITH FLANGED PIPE ENDS  
AND TEMPERATURE TAP**

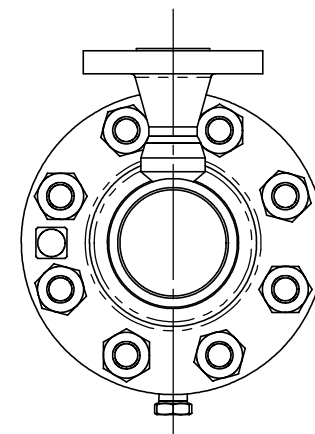
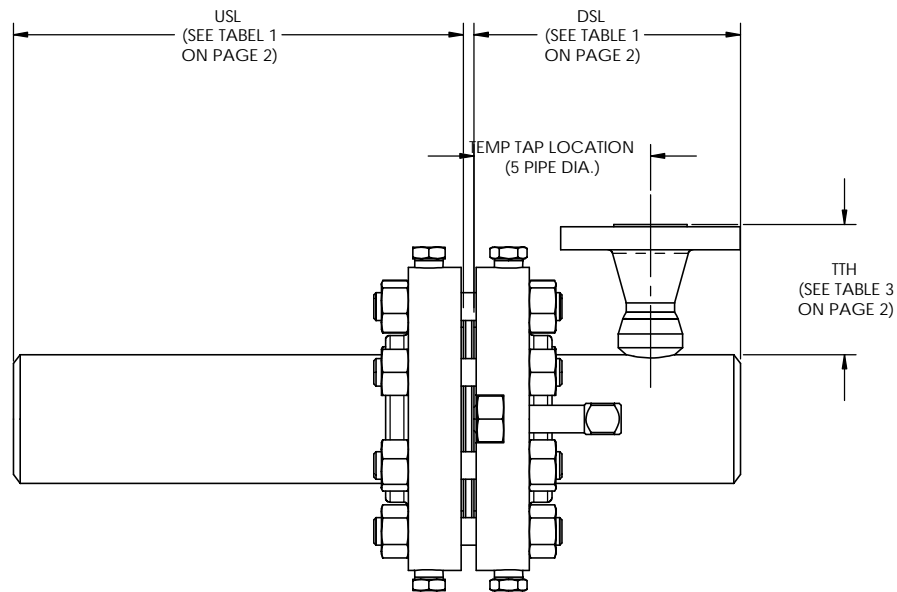
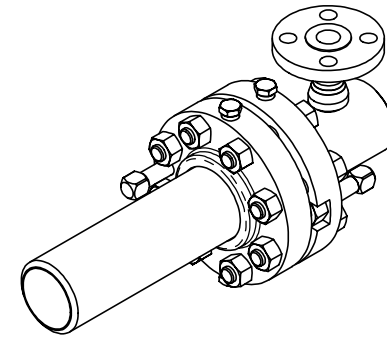
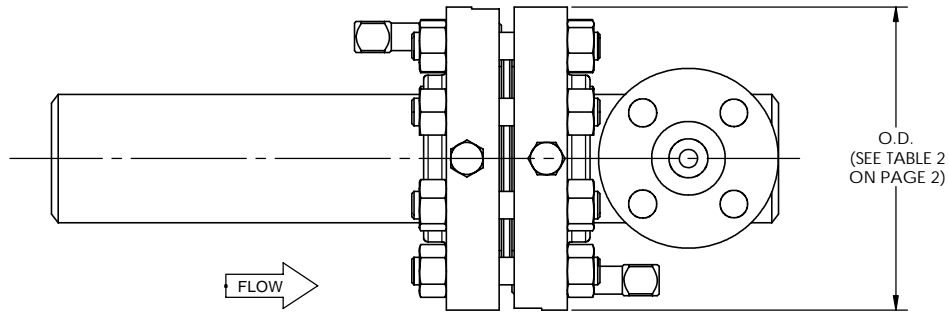
<b>ROSEMOUNT®</b>		
BOULDER, COLORADO		
SIZE A	FSCM.NO.	DRAWING NO. 01497-1003
SCALE: NONE   WT.		SHEET 7 OF 14



***ORIFICE METER SECTION  
WITH NPT PIPE ENDS  
AND TEMPERATURE TAP***

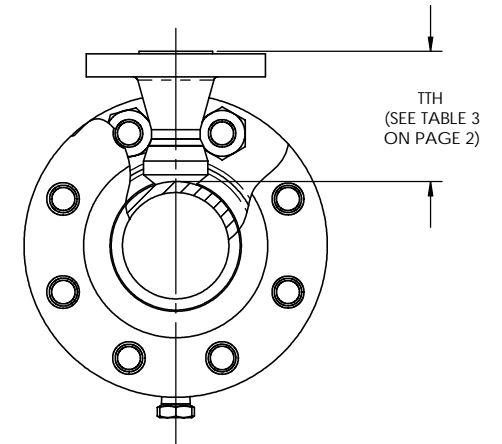
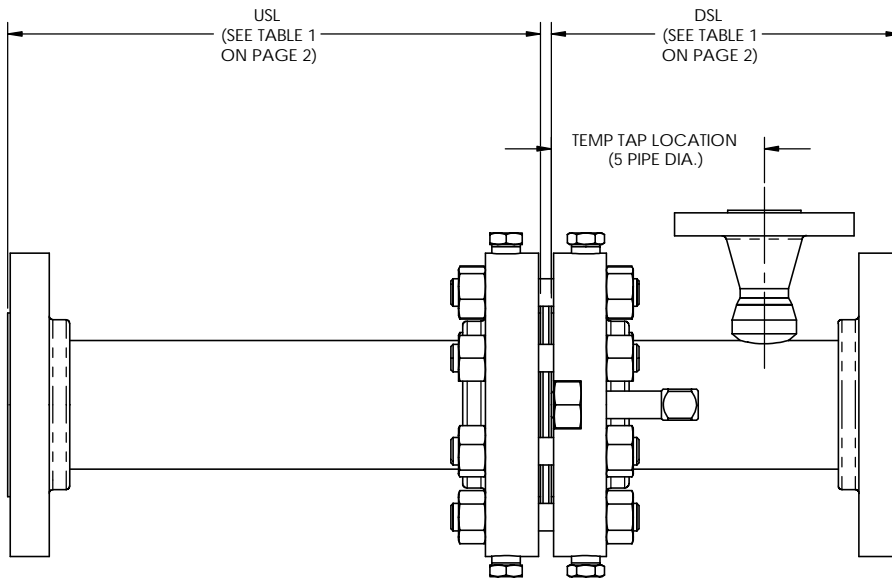
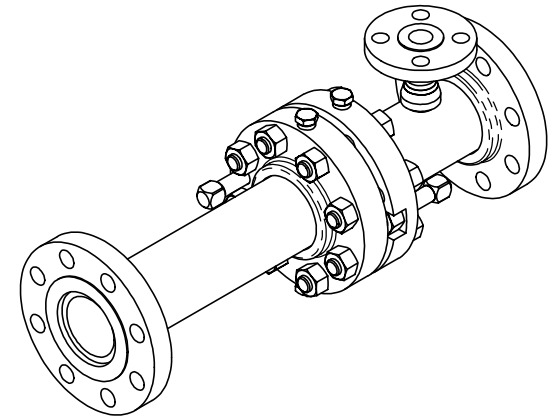
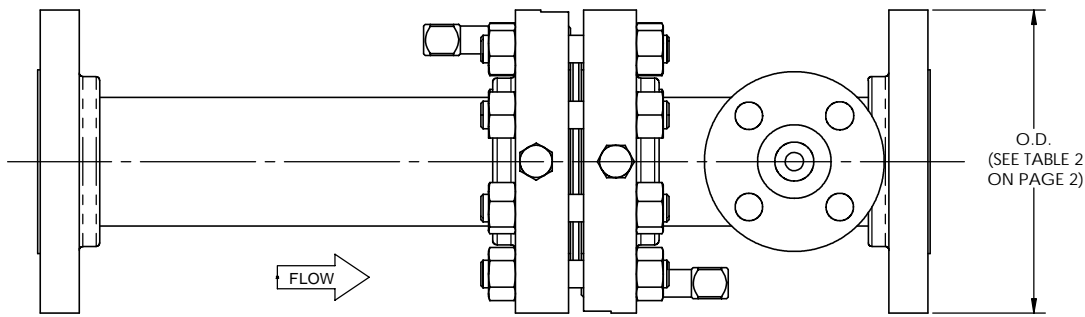
<b>ROSEMOUNT®</b>		
BOULDER, COLORADO		
SIZE A	FSCM.NO.	DRAWING NO. <b>01497-1003</b>
SCALE: NONE   WT.		SHEET 8 OF 14





**ORIFICE METER SECTION  
WITH BEVELLED PIPE ENDS  
AND FLANGED TEMPERATURE TAP**

<b>ROSEMOUNT®</b>		
BOULDER, COLORADO		
SIZE A	FSCM.NO.	DRAWING NO. 01497-1003
SCALE: NONE   WT.		SHEET 9 OF 14



**ORIFICE METER SECTION  
WITH FLANGED PIPE ENDS  
AND FLANGED TEMPERATURE TAP**

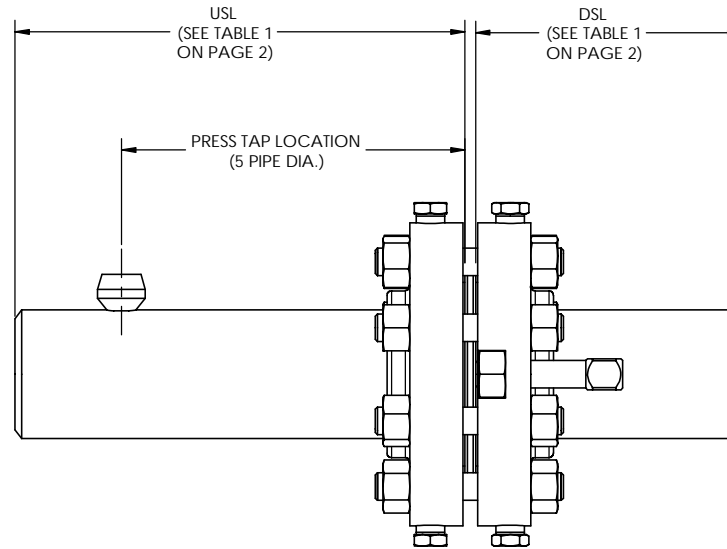
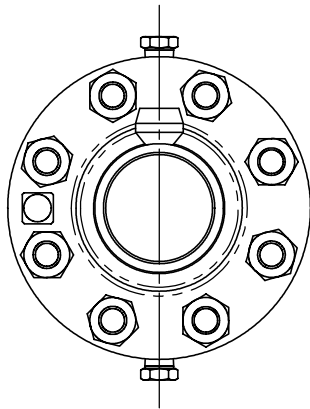
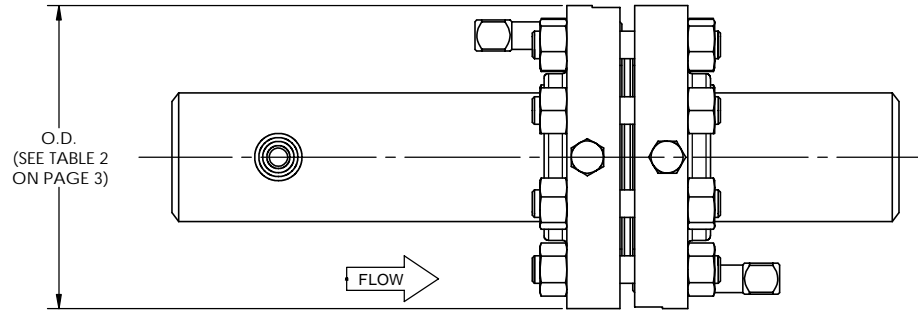
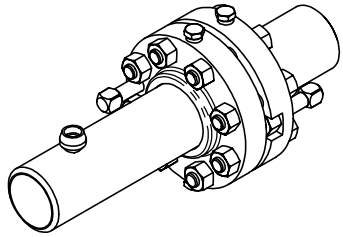
**ROSEMOUNT®**

BOULDER, COLORADO

SIZE A	FSCM.NO.	DRAWING NO. 01497-1003
-----------	----------	---------------------------

SCALE: NONE | WT.

SHEET 10 OF 14



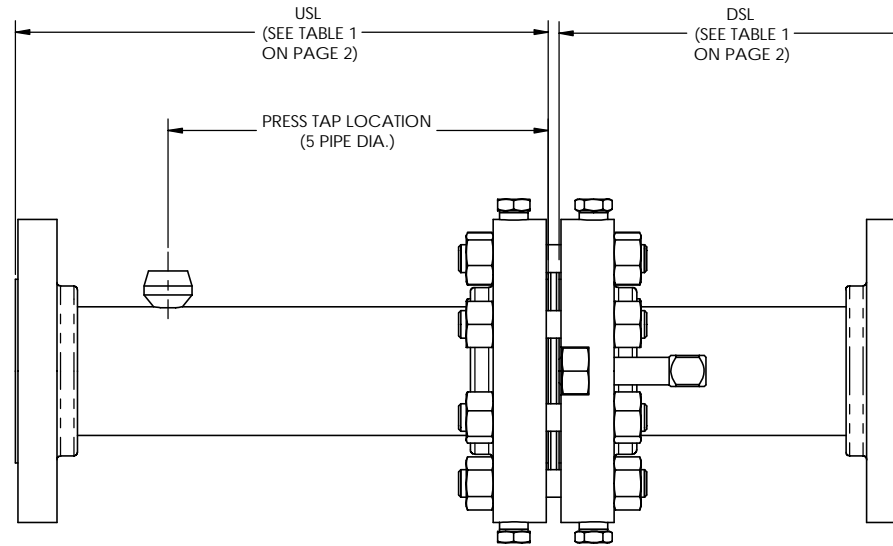
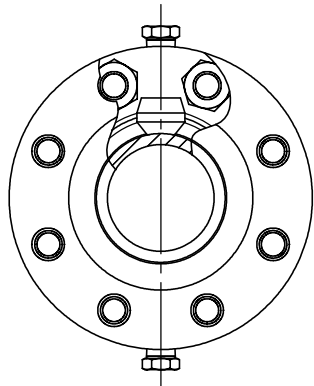
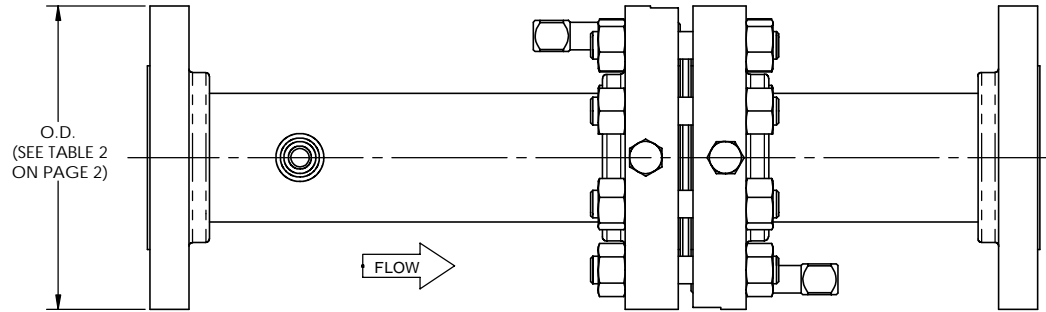
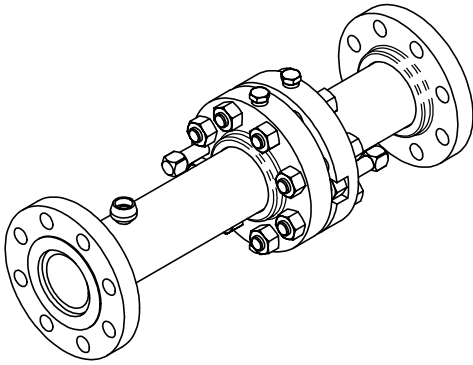
**ORIFICE METER SECTION  
WITH BEVELLED PIPE ENDS  
AND ADDITIONAL STATIC PRESSURE TAP**

**ROSEMOUNT®**

BOULDER, COLORADO

SIZE A	FSCM.NO.	DRAWING NO. <b>01497-1003</b>
-----------	----------	----------------------------------

SCALE: NONE   WT.	SHEET 11 OF 14
-------------------	----------------



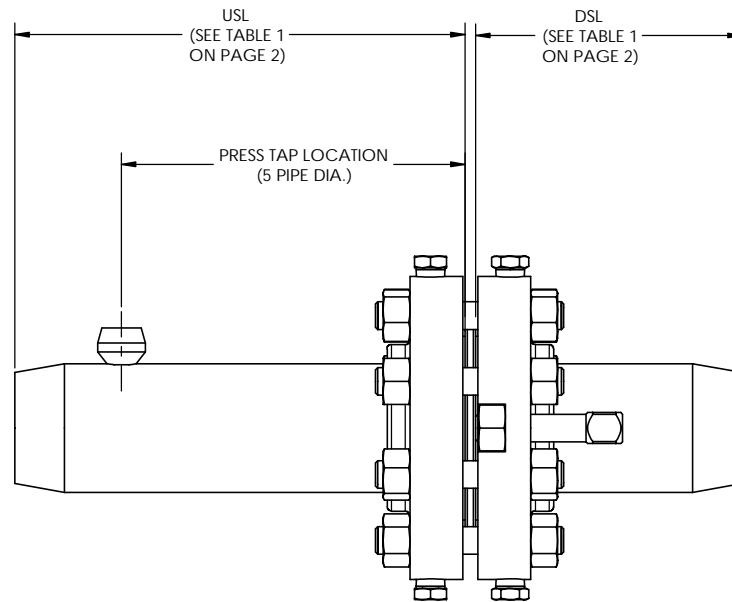
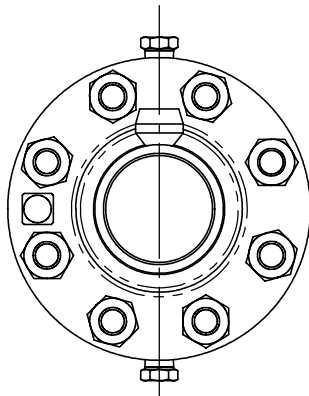
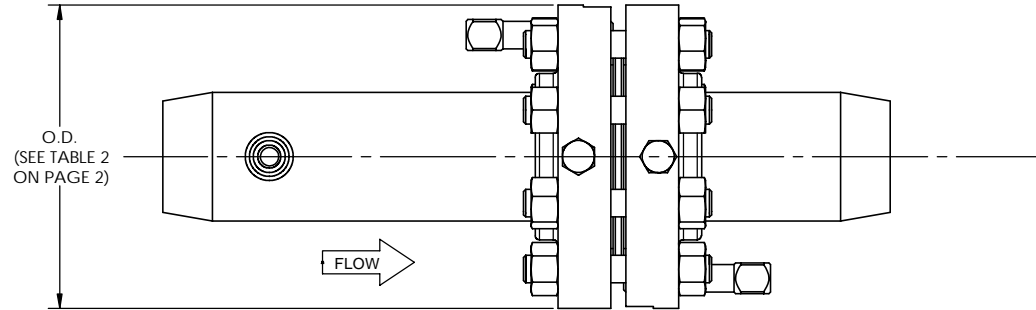
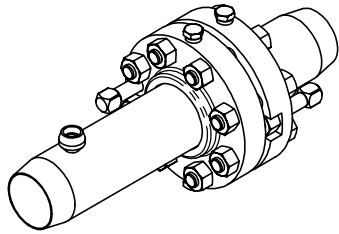
**ORIFICE METER SECTION  
WITH FLANGED PIPE ENDS  
AND ADDITIONAL STATIC PRESSURE TAP**

**ROSEMOUNT®**

BOULDER, COLORADO

SIZE A	FSCM.NO.	DRAWING NO. <b>01497-1003</b>
-----------	----------	----------------------------------

SCALE: NONE   WT.	SHEET 12 OF 14
-------------------	----------------



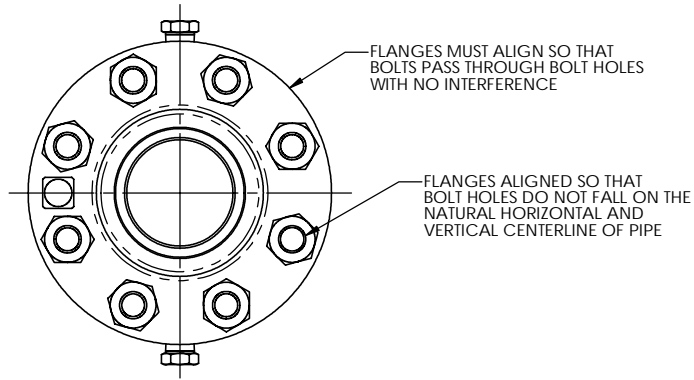
**ORIFICE METER SECTION  
WITH NPT PIPE ENDS  
AND ADDITIONAL STATIC PRESSURE TAP**

**ROSEMOUNT®**

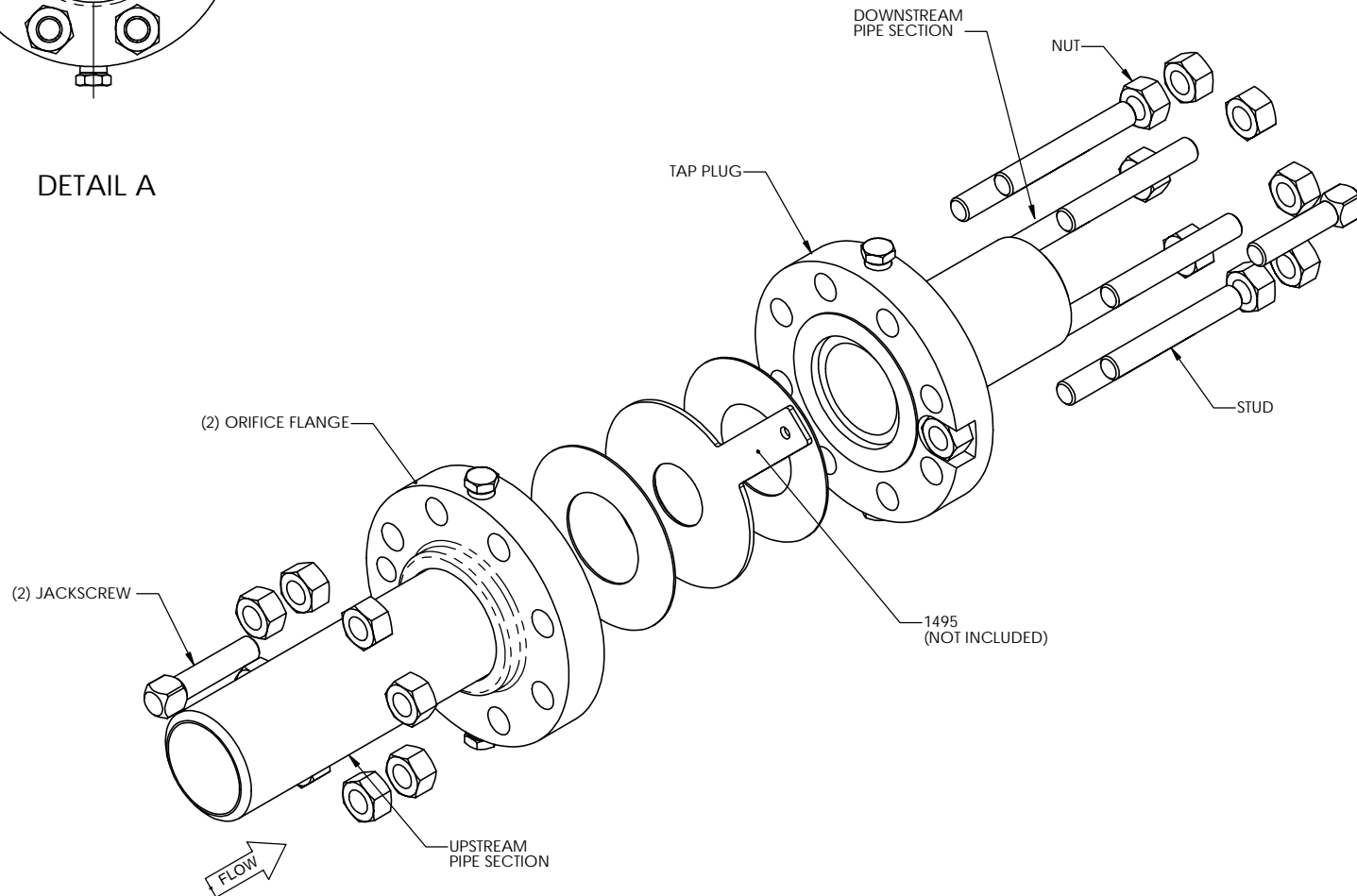
BOULDER, COLORADO

SIZE A	FSCM.NO.	DRAWING NO. 01497-1003
-----------	----------	---------------------------

SCALE: NONE   WT.	SHEET 13 OF 14
-------------------	----------------



DETAIL A



***EXPLODED INSTALLATION VIEW***

**ROSEMOUNT®**

BOULDER, COLORADO

SIZE A	FSCM.NO.	DRAWING NO. <b>01497-1003</b>
SCALE: NONE   WT.		SHEET 14 OF 14