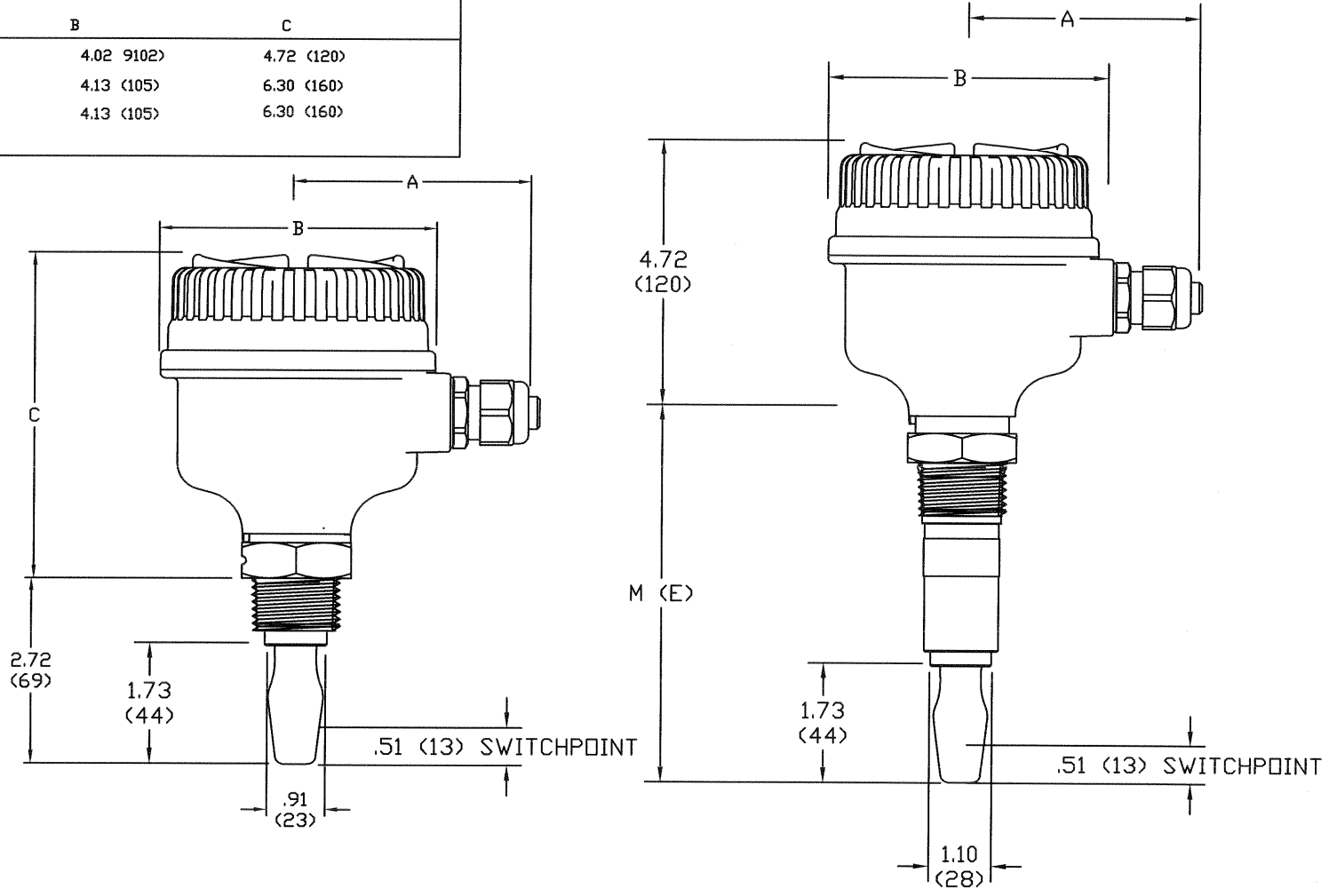


REVISIONS				
REV	DESCRIPTION	CHG.NO.	APP'D	DATE
AA	NEW RELEASE		JA	7/27/05

THREAD	STANDARD LENGTH	MIN. LENGTH M (E)	MAX. LENGTH M (E)
3/4-IN.	1.73 (44)	3.74 (95)	118.11 (3000)
1-IN.	1.73 (44)	3.70 (94)	118.11 (3000)

MATERIAL	A	B	C
GLASS NYLON	3.52 (90)	4.02 (102)	4.72 (120)
ALUMINUM	2.76 (70)	4.13 (105)	6.30 (160)
316 STAINLESS STEEL	2.76 (70)	4.13 (105)	6.30 (160)

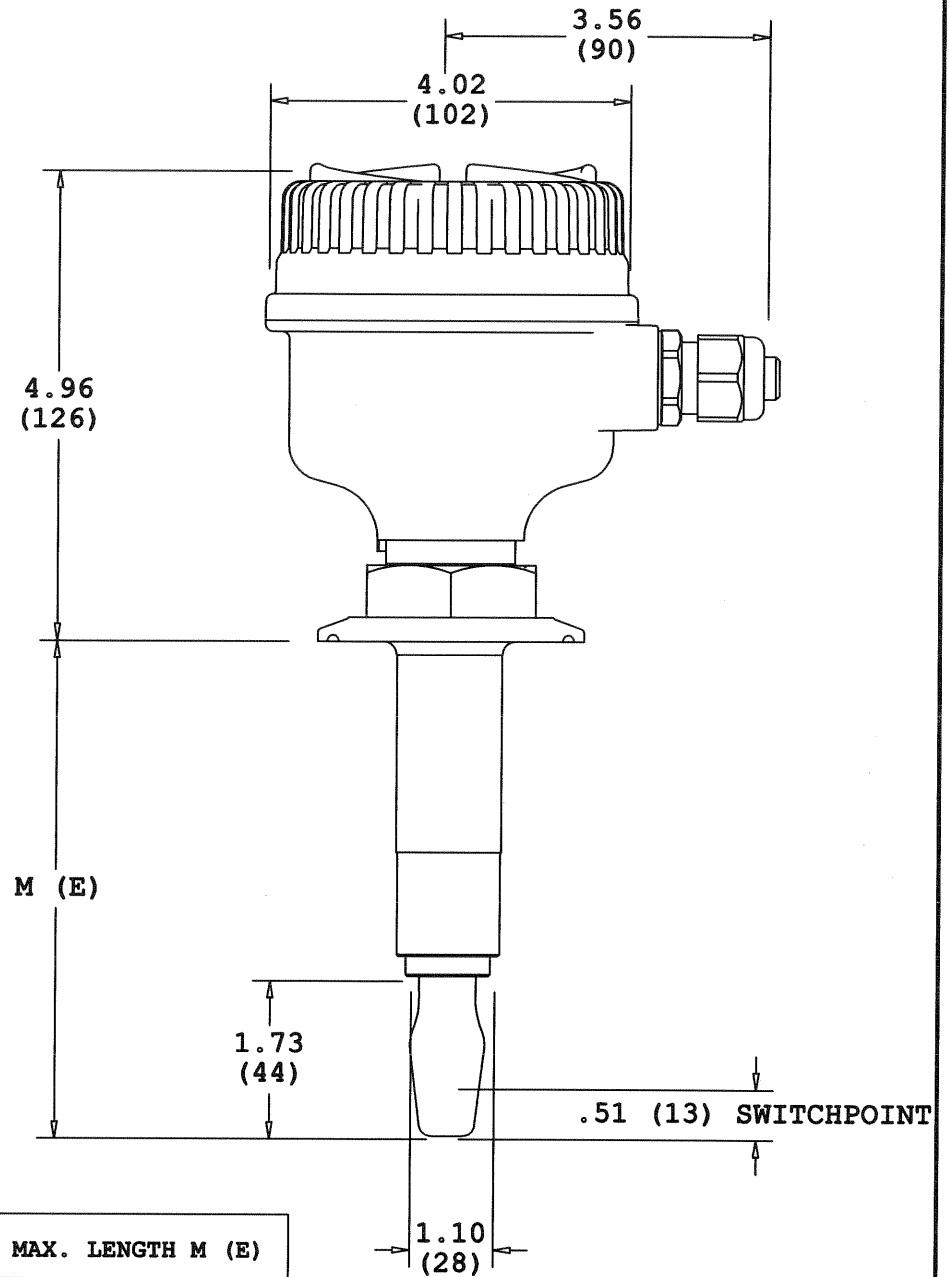
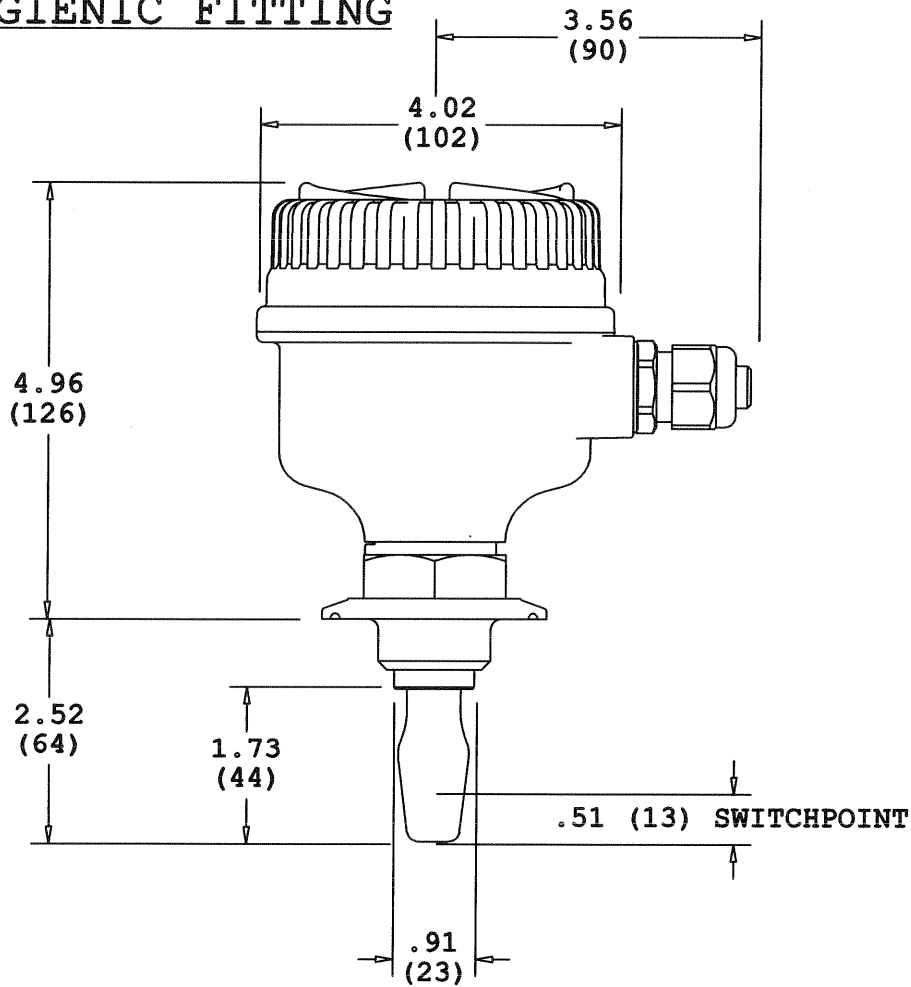
THREADED MOUNTING



OPERATING TEMP. RANGE : -40°C TO +150°C WETSIDE.
 OPERATING PRESSURE : 100 BAR BETWEEN -40°C TO +50°C AND DERATE LINEARLY TO 85 BAR AT +150°C.

*UNLESS OTHERWISE SPECIFIED DIMENSIONS IN INCHES (MM)		TYPE I		ROSEMOUNT INC. CHANHASSEN, MINNESOTA		
*ALL DIMENSIONS ARE NOMINAL AND ARE FOR REFERENCE ONLY		DR. JOHN ARMSTRONG	7/10/05	TITLE		
		APP'D. DRAWING		DIMENSIONAL DRAWING FOR MODEL		
		APP'D. DRAWING		2120 SQUIG		
		APP'D. TAGGING		SIZE	FSCM.NO.	DRAWING NO.
		APP'D. SPECIALS		A	04274	2120-
				SCALE: NONE WT.	SHEET 1 OF 5	

HYGIENIC FITTING



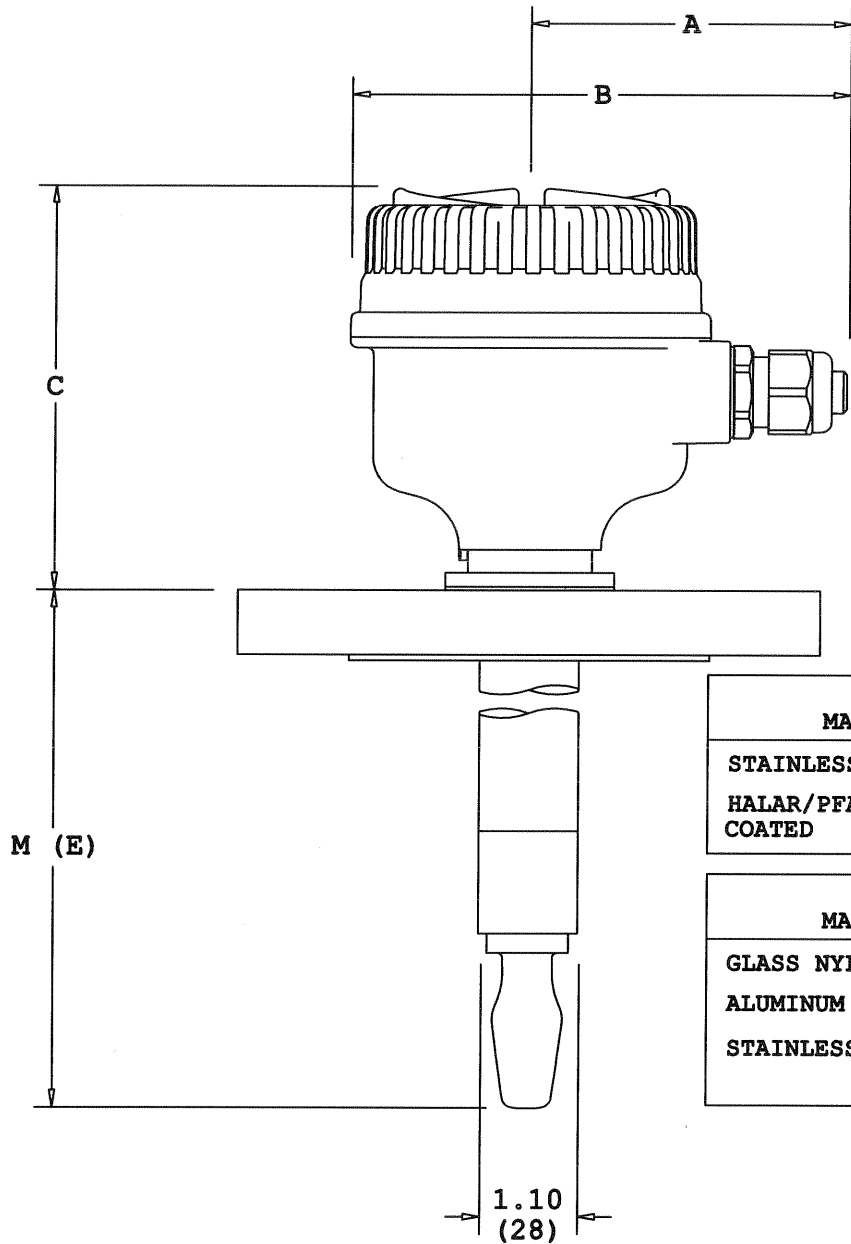
CONNECTION	STANDARD LENGTH	MIN. LENGTH M (E)	MAX. LENGTH M (E)
TRI-CLAMP	1.7 (44)	4.13 (105)	118.11 (3000)
O-RING SEAL (1-IN. BSPP)	1.7 (44)	3.85 (98)	118.11 (3000)

ROSEMOUNT®

CHANHASSEN, MINNESOTA
1517411 2.SCR

SIZE A	TYPE B	DRAWING NO. 2120
SCALE:		SHEET 2 OF 2

FLANGE MOUNTING



MATERIAL	STANDARD LENGTH	MIN. LENGTH M (E)	MAX. LENGTH M (E)
STAINLESS STEEL	4-IN. (102 mm)	3.5 (89)	118.11 (3000)
HALAR/PFA CO-POLYMER COATED	4-IN. (102 mm)	3.5 (89)	39.37 (1000)

MATERIAL	A	B	C
GLASS NYLON	3.52 (90)	4.02 (102)	6.30 (160)
ALUMINUM	2.76 (70)	4.13 (105)	7.87 (200)
STAINLESS STEEL	2.76 (70)	4.13 (105)	7.87 (200)

ROSEMOUNT®
CHANHASSEN, MINNESOTA

SIZE A	TYPE B	DRAWING NO. 2120
SCALE:		SHEET 3 OF 3