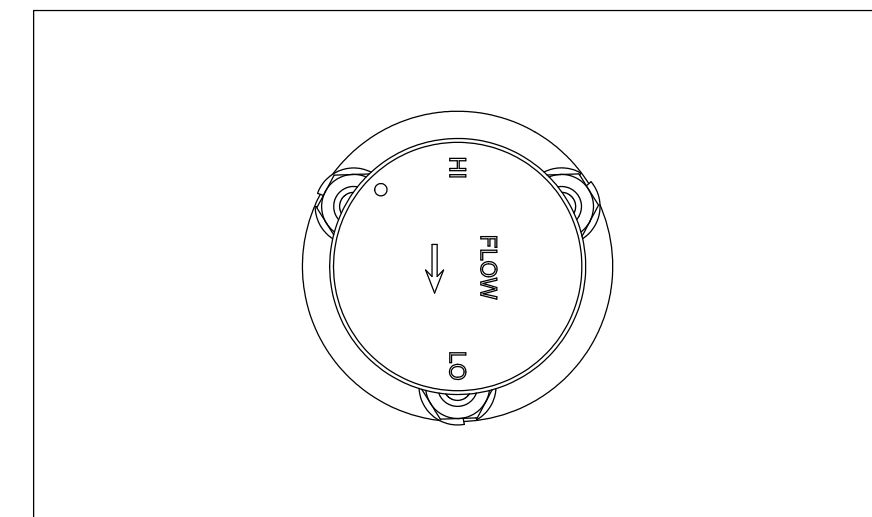
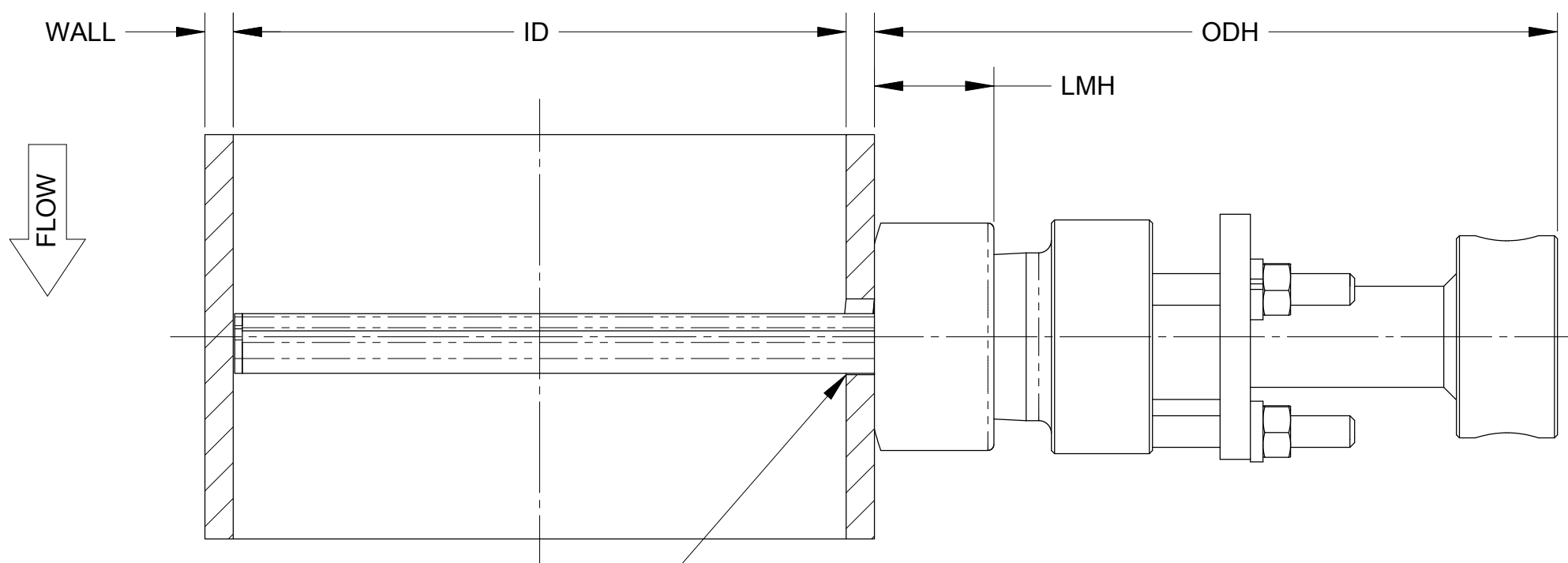
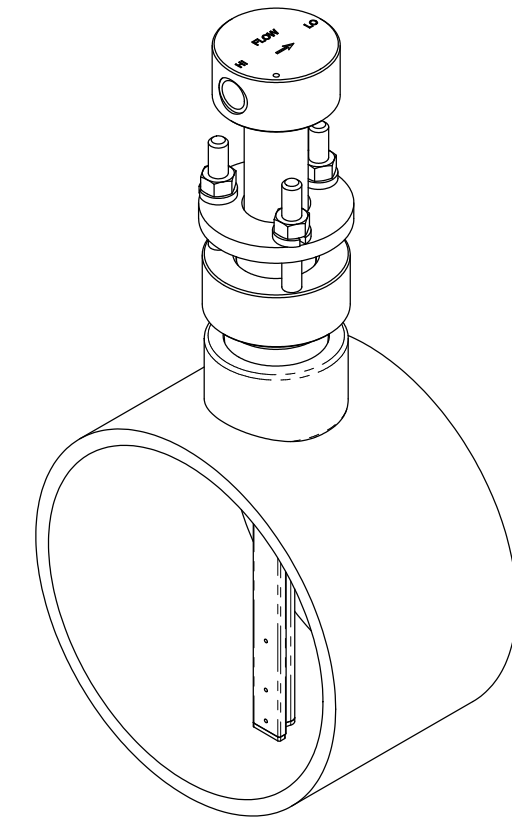
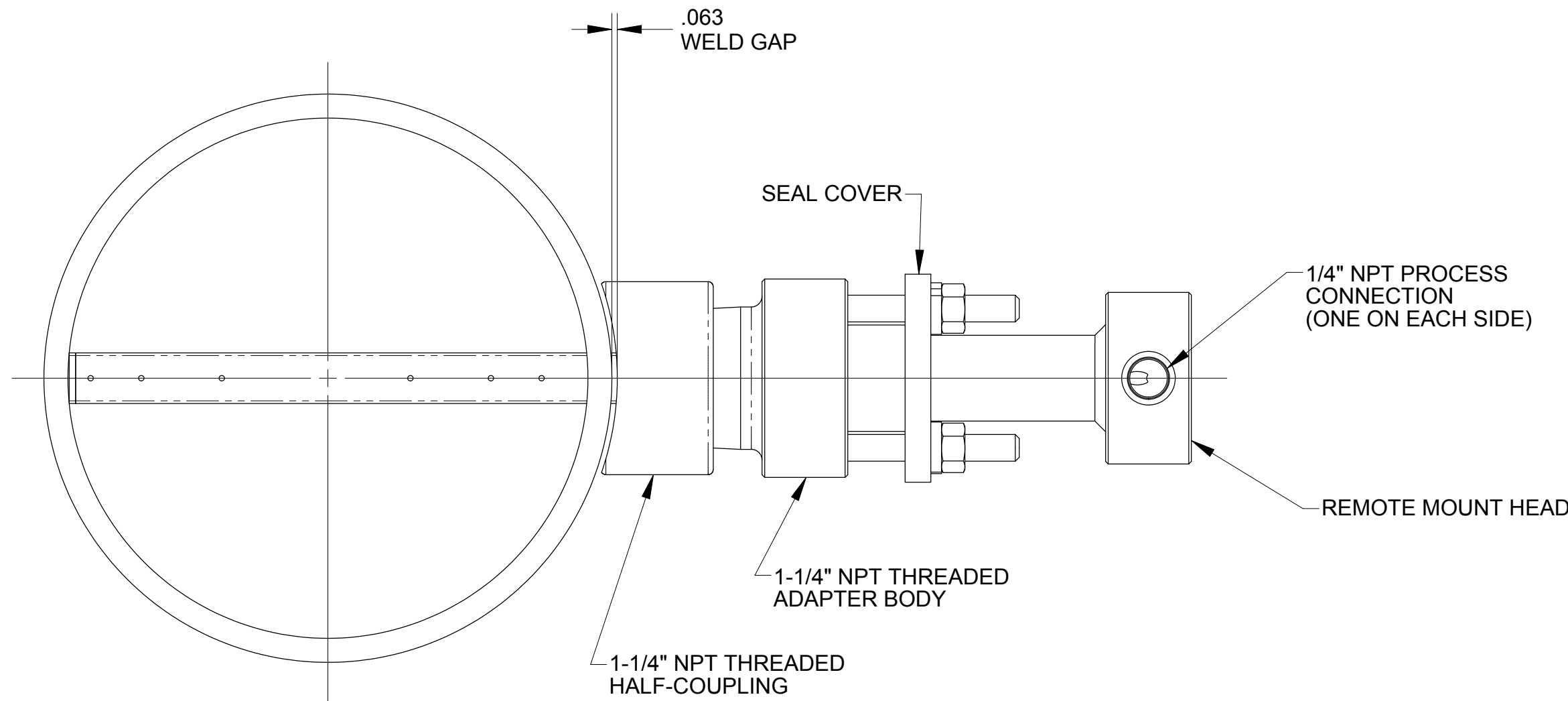


REVISIONS				
REV	DESCRIPTION	CHG.NO.	APP'D	DATE
AA	NEW RELEASE	EC005567	JR	03/25/05



**CAUTION**  
 FOR ACCURATE FLOW MEASUREMENT  
 THE CORRECT HOLE SIZE IN PIPE MUST BE:  
**3/4 INCH (19mm)**  
 DO NOT DRILL OVERSIZE  
 DO NOT TORCH CUT HOLE

2

**REMOTE MOUNT HEAD OPTION**

*UNLESS OTHERWISE SPECIFIED DIMENSIONS IN INCHES (MM)		<b>TYPE I</b>		<b>ROSEMOUNT®</b> BOULDER, COLORADO			
*ALL DIMENSIONS ARE NOMINAL AND ARE FOR REFERENCE ONLY		DR. J.Rumsey	01/17/05	TITLE DIMENSIONAL DRAWING FOR 285 SENSOR SIZE 1 ANNUBAR PAK-LOK MOUNTING TYPE			
		APPROVAL		SIZE A	DRAWING NO. 00285-1000		
		DRAWING M.Montgomery		03/25/05	SCALE: NONE	SHEET 1 OF 5	
		TAGGING					
		SPECIALS					

NOTES:

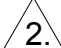
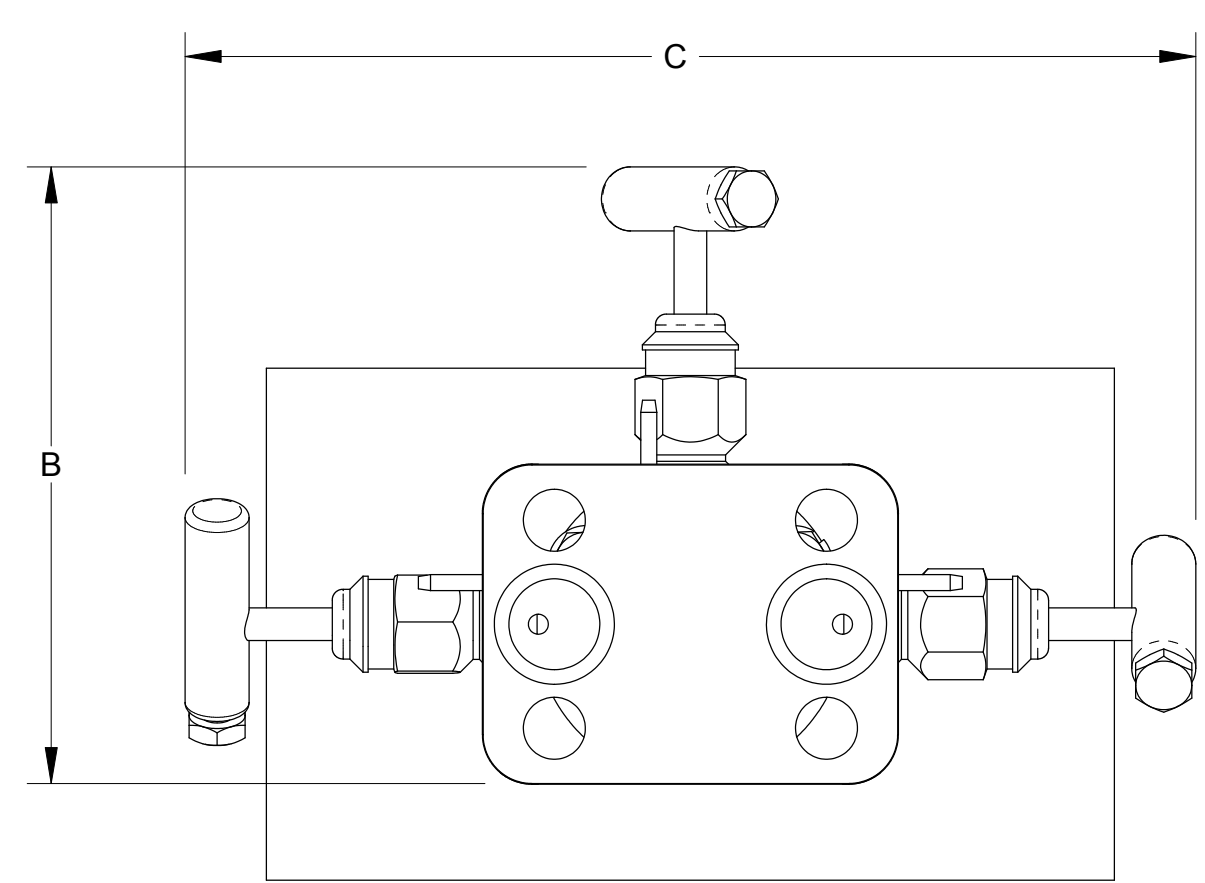
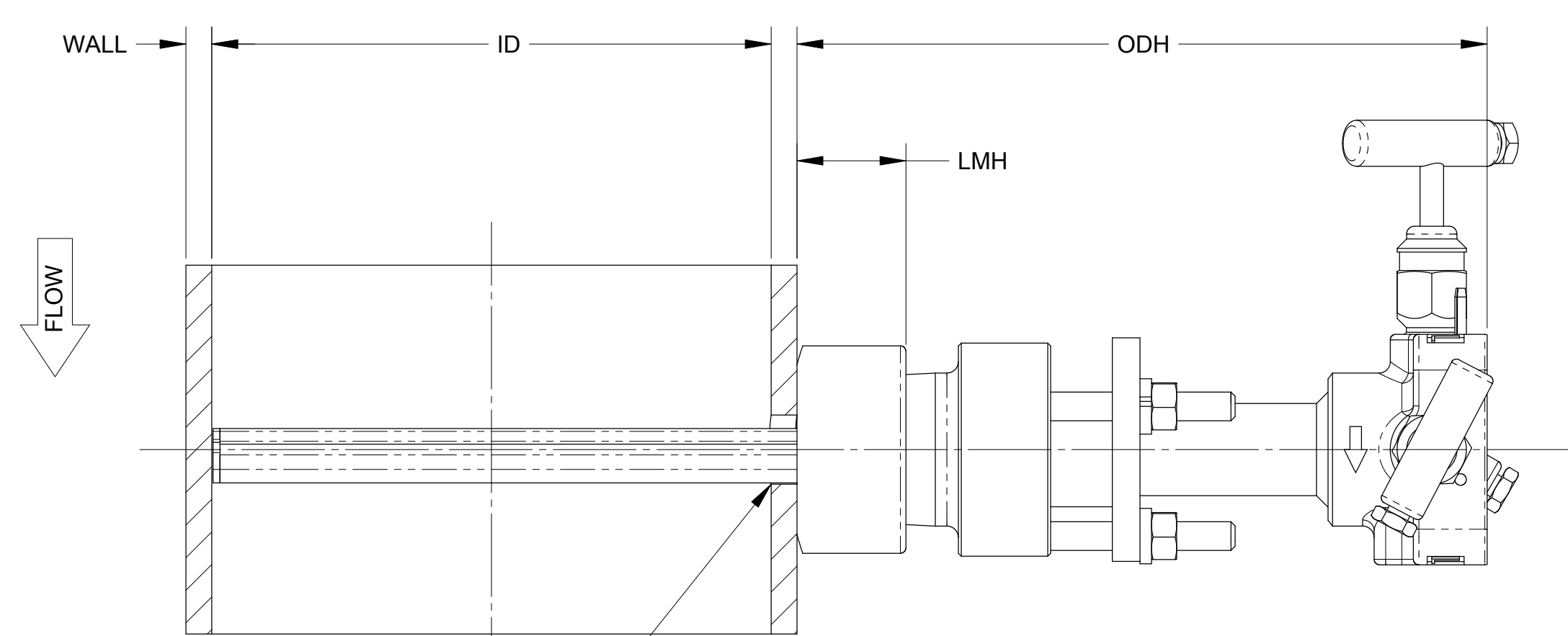
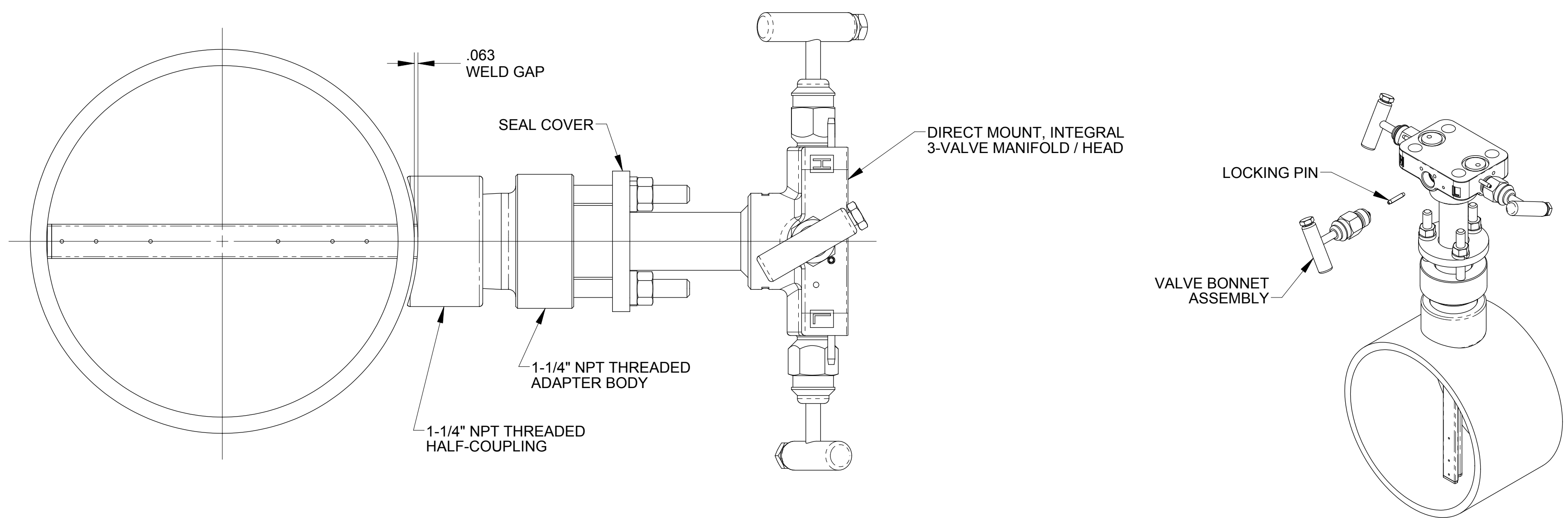
1. ROSEMOUNT INC. CERTIFIES THIS DRAWING IS IN ACCORDANCE WITH ROSEMOUNT ENGINEERING SPECIFICATIONS AND ACCURATELY REPRESENTS THE EQUIPMENT FURNISHED.
2.  ANNUBAR® PRIMARY FLOW ELEMENT IS ACCURATE ONLY WITH CORRECT SIZED DRILLED MOUNTING HOLE. NO TORCH CUT ALLOWED. TOLERANCE +.030/-0.000 (+.8mm/-0.000mm)
3. SENSOR ORIENTATION SHOWN FOR DETAIL ONLY. FOR ACTUAL RECOMMENDED LOCATION AND ORIENTATION REFER TO PRODUCT DATA SHEET 00813-0100-4028, AND THE QUICK INSTALLATION GUIDE (QIG) 00825-0100-4028.
4. FIELD WELD. REFER TO INSTALLATION INSTRUCTIONS FOR WELD REQUIREMENTS.
5. MAXIMUM PRESSURE: 150 ANSI EQUIVALENT (275 PSIG AT 100°F); MAX TEMPERATURE: 300°F FOR INTEGRAL TRANSMITTER MOUNTING AND REMOTE MOUNTING.
6. FOR MODEL SELECTIONS, REFER TO ROSEMOUNT PRODUCT DATA SHEET 00813-0100-4028.
7. FOR REMOTE MOUNT INSTRUMENT CONNECTIONS, ORIENTATION OF INSTRUMENT CONNECTION ASSEMBLY IS FOR REFERENCE ONLY, UNLESS OTHERWISE NOTED. FOR COMPLETE INSTRUCTIONS, REFER TO PRODUCT DATA SHEET 00813-0100-4028, AND THE QUICK INSTALLATION GUIDE (QIG) 00825-0100-4028.
8. FOR REMOTE MOUNT INTEGRAL ORIENTATION, ASSEMBLY IS THE SAME ON HORIZONTAL OR VERTICAL LINE.

TABLE 1 - DIMENSIONS	
DIMENSIONS	VALUE (MAX)
ODH	8.50 (215.9mm)
B	5.0 (127.0mm)
C	9.0 (228.6mm)
LMH	1.31 (33.3mm)

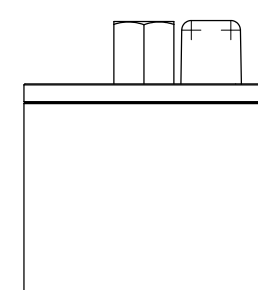
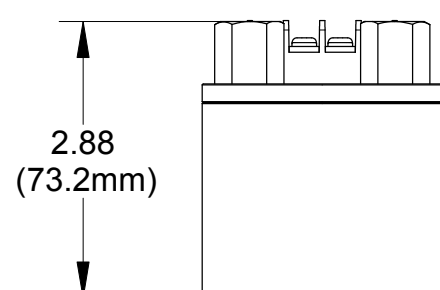
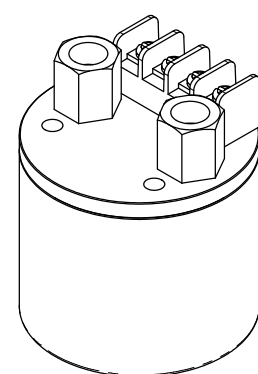
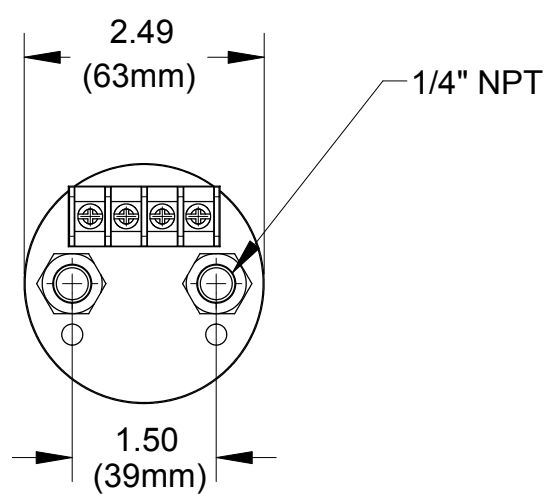
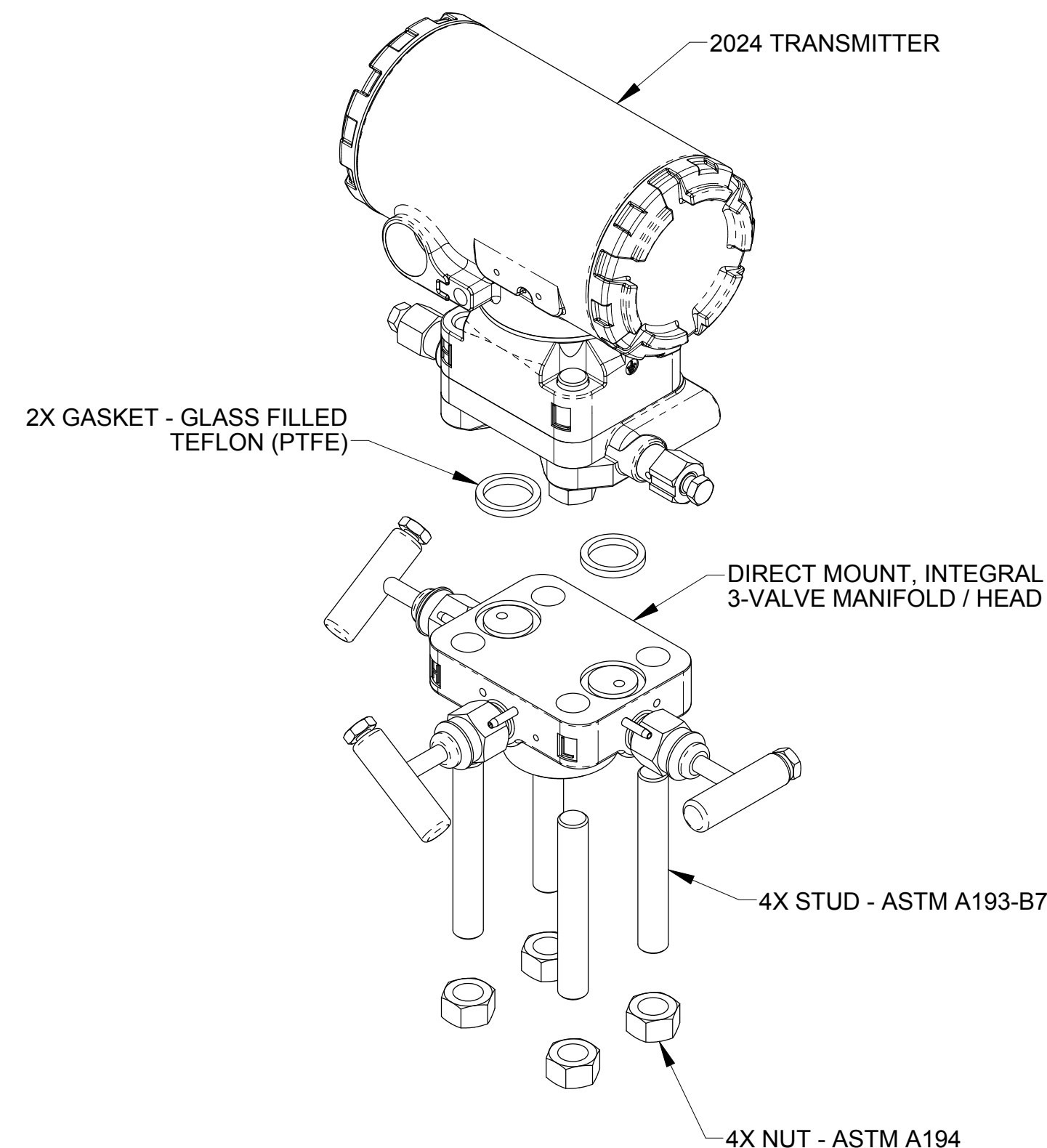
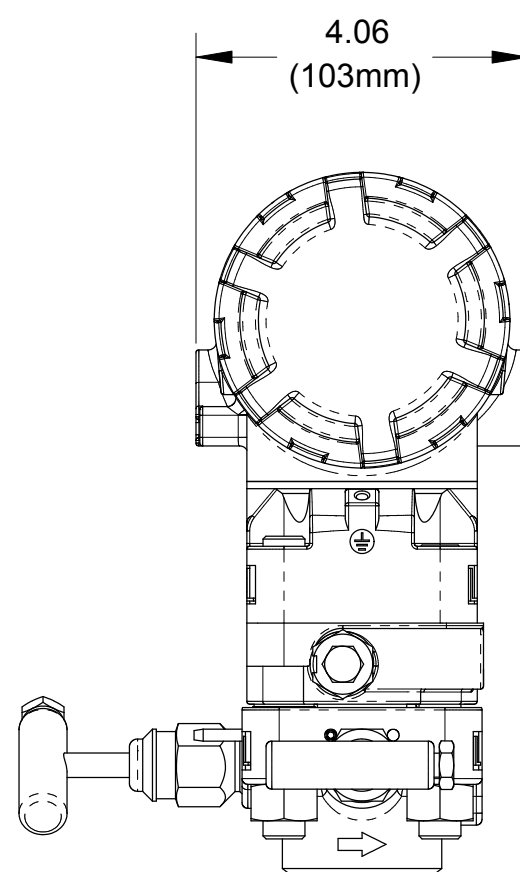
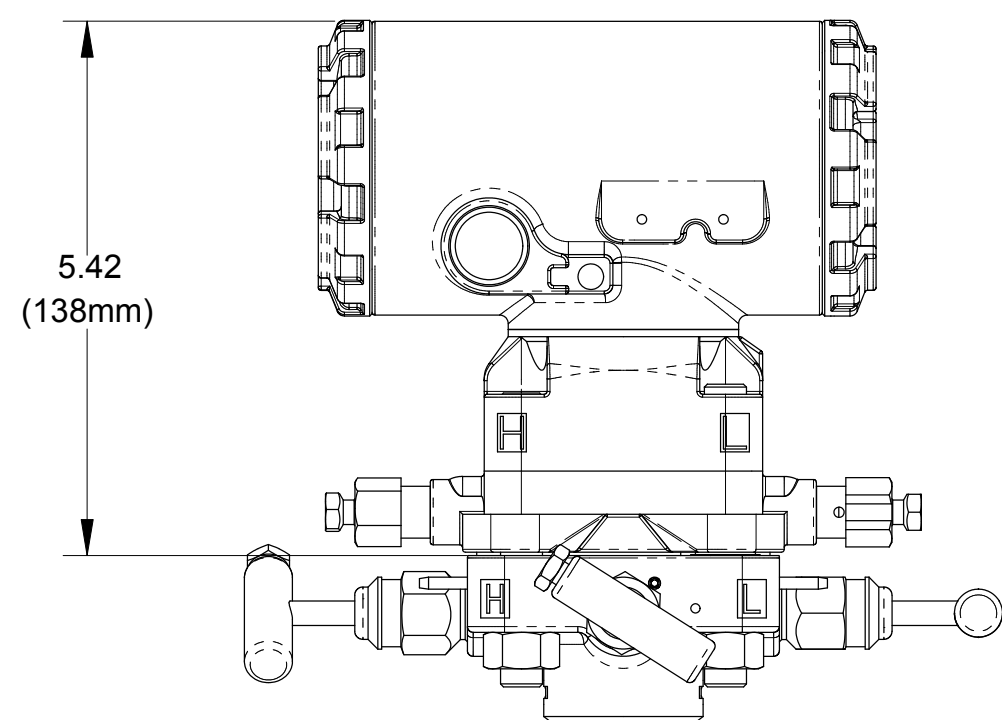
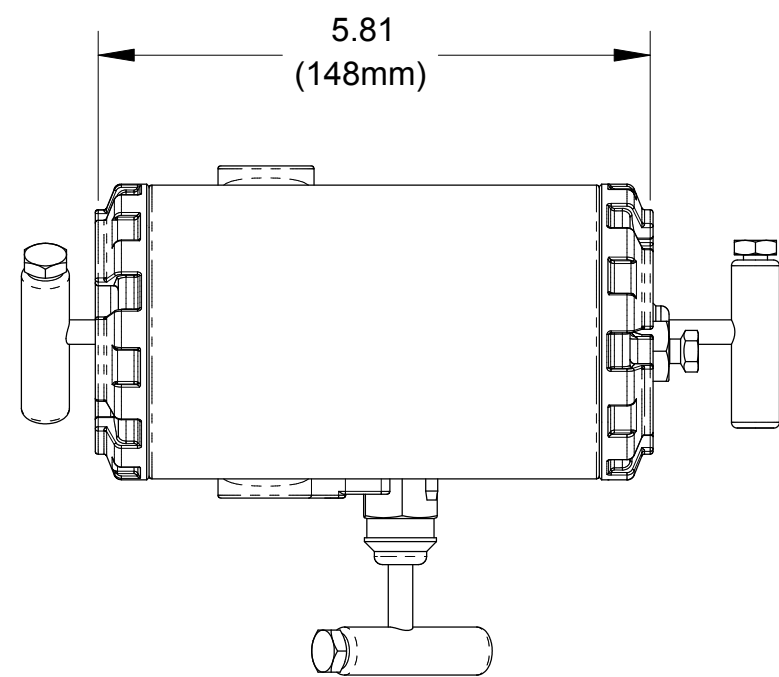
<b>ROSEMOUNT®</b>		
BOULDER, COLORADO		
SIZE A	FSCM.NO.	DRAWING NO. 00285-1000
SCALE: NONE	WT.	SHEET 2 OF 5



**CAUTION**  
 FOR ACCURATE FLOW MEASUREMENT  
 THE CORRECT HOLE SIZE IN PIPE MUST BE:  
**3/4 INCH (19mm)**  
 DO NOT DRILL OVERSIZE  
 DO NOT TORCH CUT HOLE

**DIRECT MOUNT HEAD OPTION**

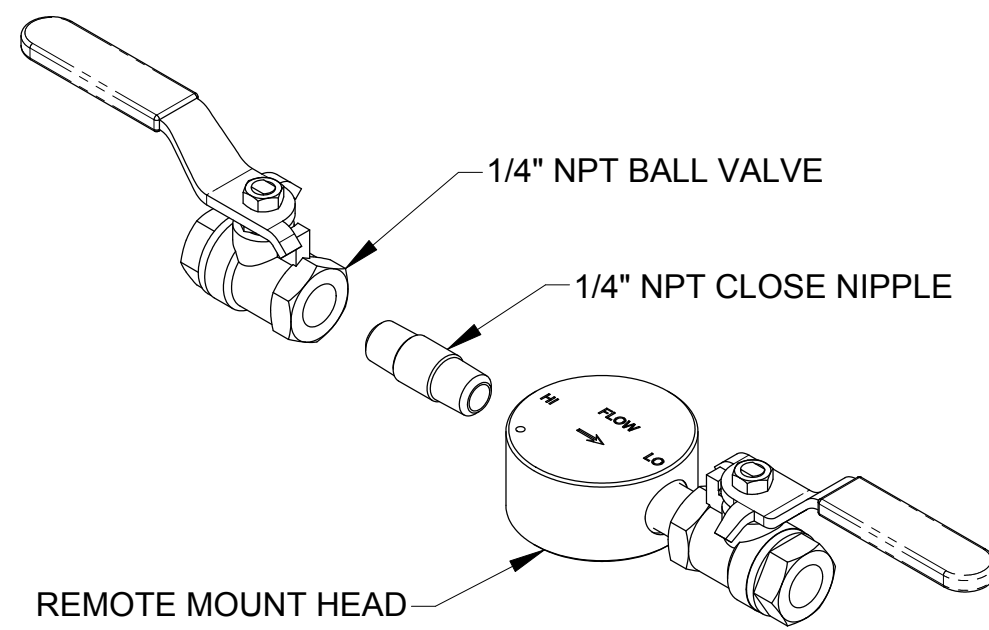
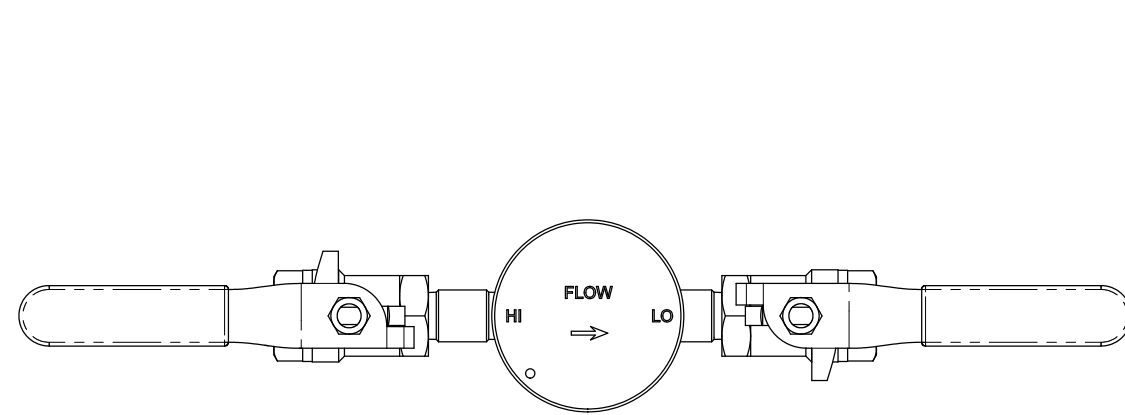
<b>ROSEMOUNT®</b>		
BOULDER, COLORADO		
SIZE A	FSCM.NO.	DRAWING NO. <b>00285-1000</b>
SCALE: NONE WT.		SHEET 3 OF 5



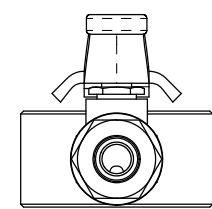
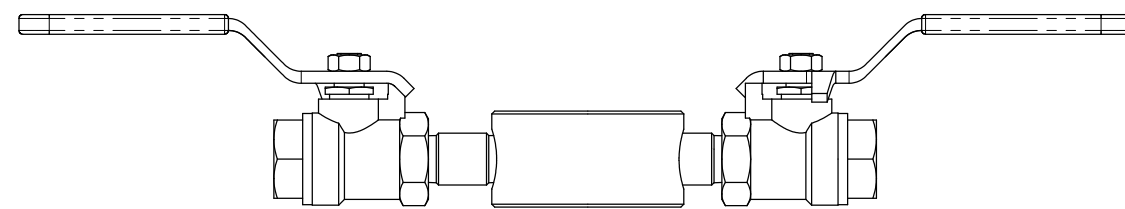
**OPTIONAL 951 DRY GAS TRANSMITTER  
(REMOTE MOUNT ONLY)**

**DIRECT MOUNT ELECTRONICS  
CONNECTION PLATFORM  
WITH 2024 TRANSMITTER ATTACHED**

<b>ROSEMOUNT®</b>		
BOULDER, COLORADO		
SIZE A	FSCM.NO.	DRAWING NO. <b>00285-1000</b>
SCALE: NONE	WT.	SHEET 4 OF 5



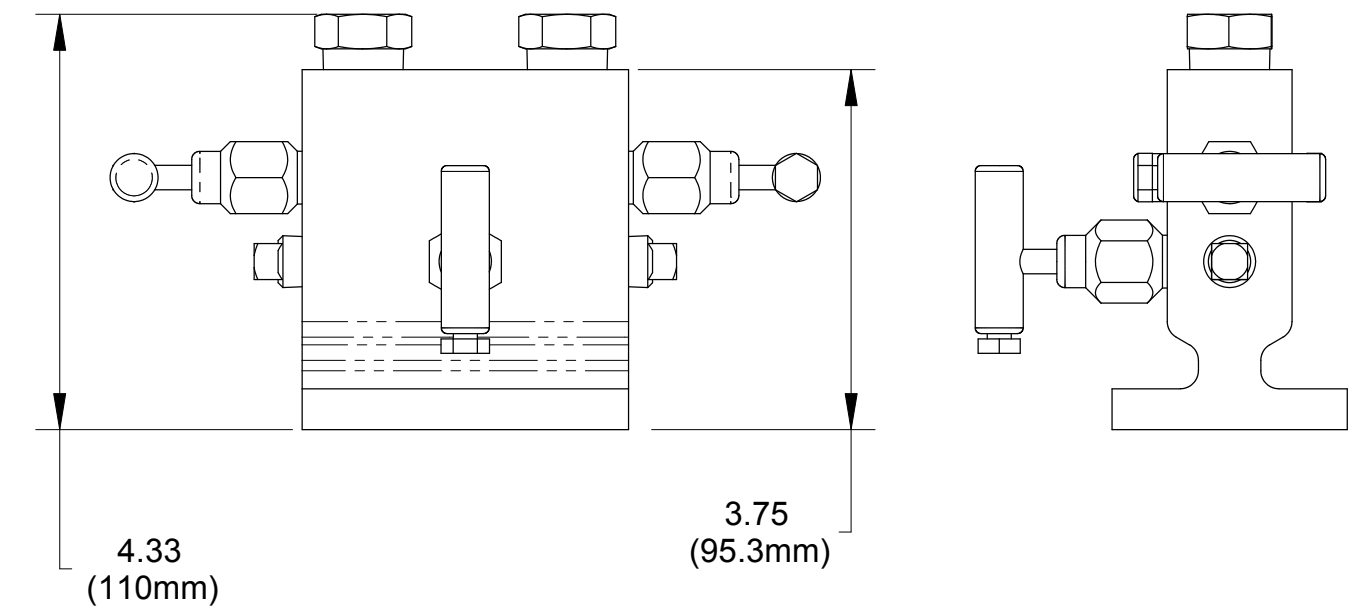
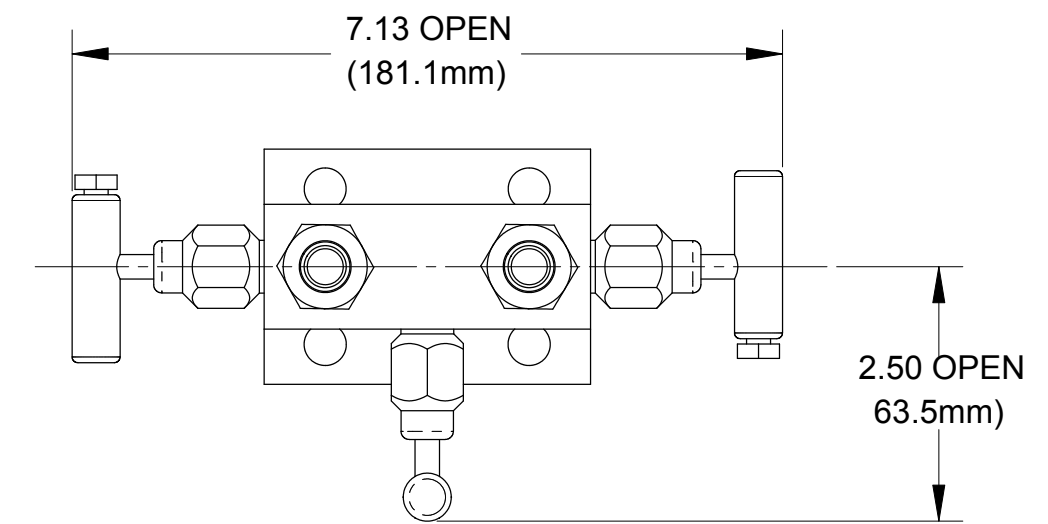
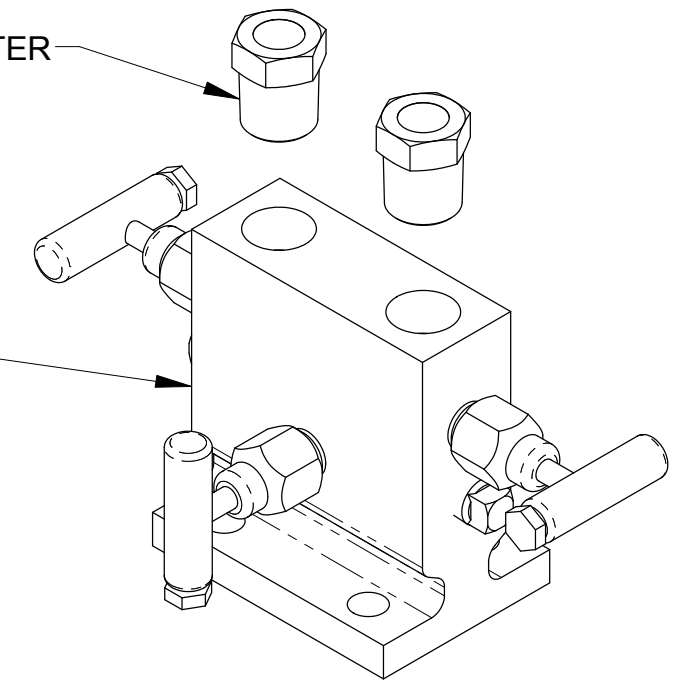
REMOTE MOUNT HEAD



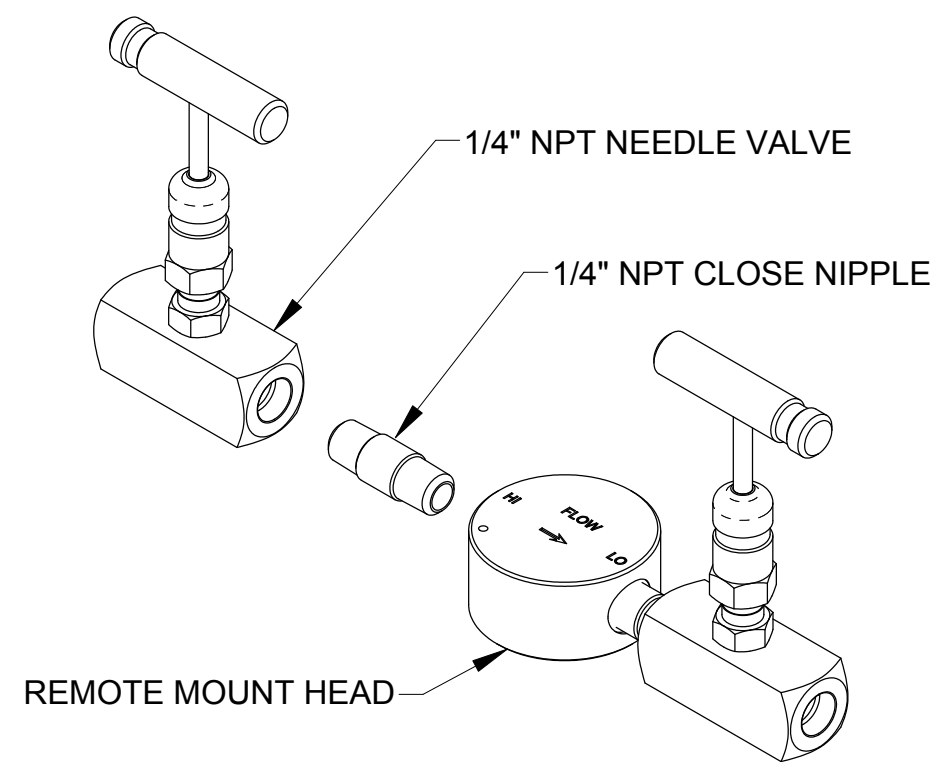
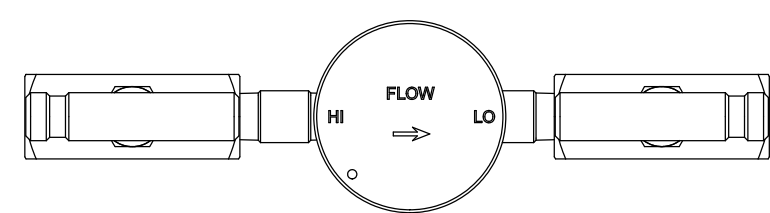
**REMOTE MOUNT ELECTRONICS  
CONNECTION PLATFORM  
WITH BALL VALVES**

1/4" x 1/2" NPT ADAPTER

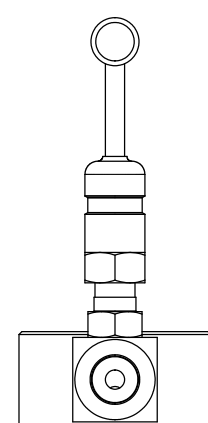
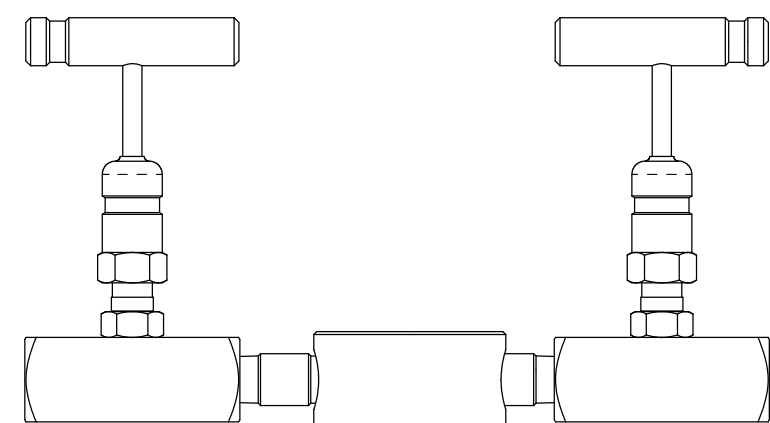
FLANGE x 1/2" NPT  
3-VALVE MANIFOLD



**OPTIONAL REMOTE MOUNT  
3-VALVE MANIFOLD**



REMOTE MOUNT HEAD



**REMOTE MOUNT ELECTRONICS  
CONNECTION PLATFORM  
WITH NEEDLE VALVES**

<b>ROSEMOUNT®</b>		
BOULDER, COLORADO		
SIZE A	FSCM.NO.	DRAWING NO. <b>00285-1000</b>
SCALE: NONE	WT.	SHEET 5 OF 5