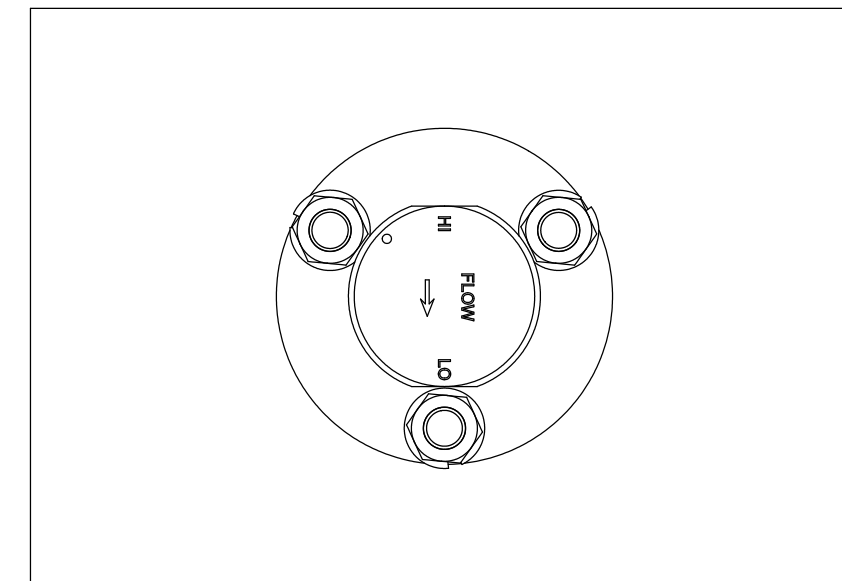
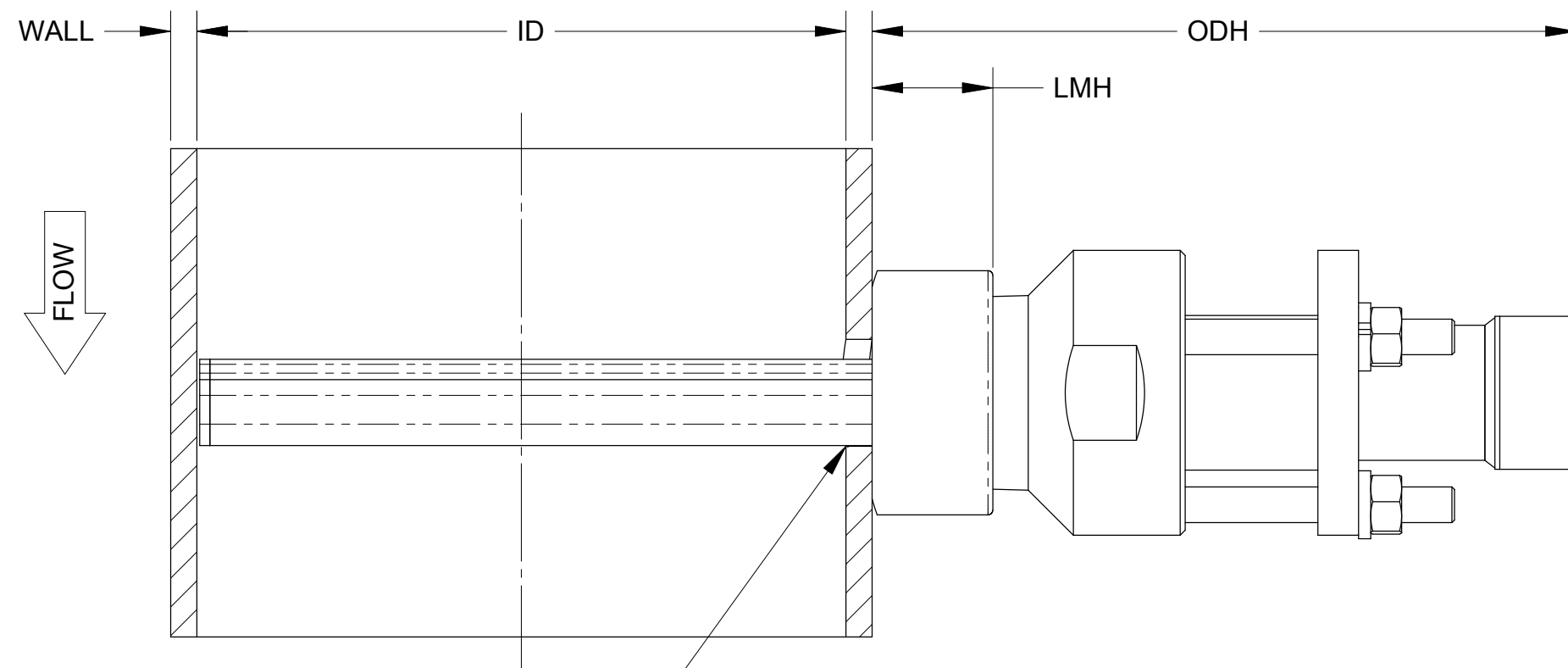
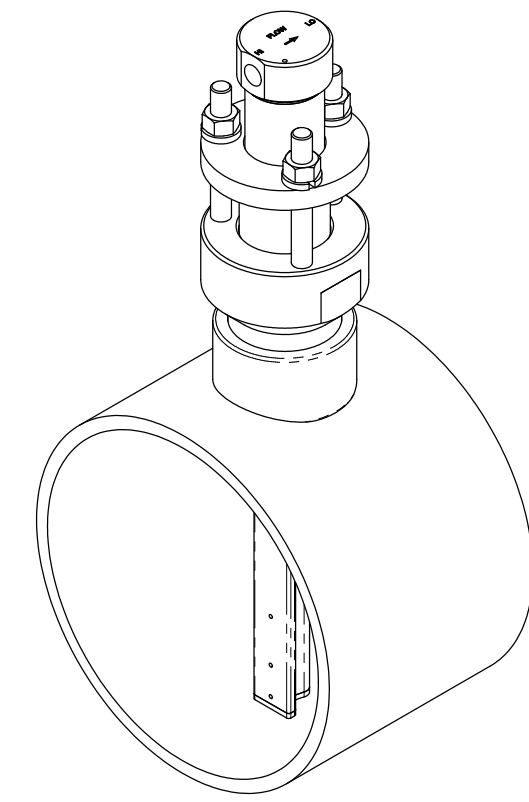
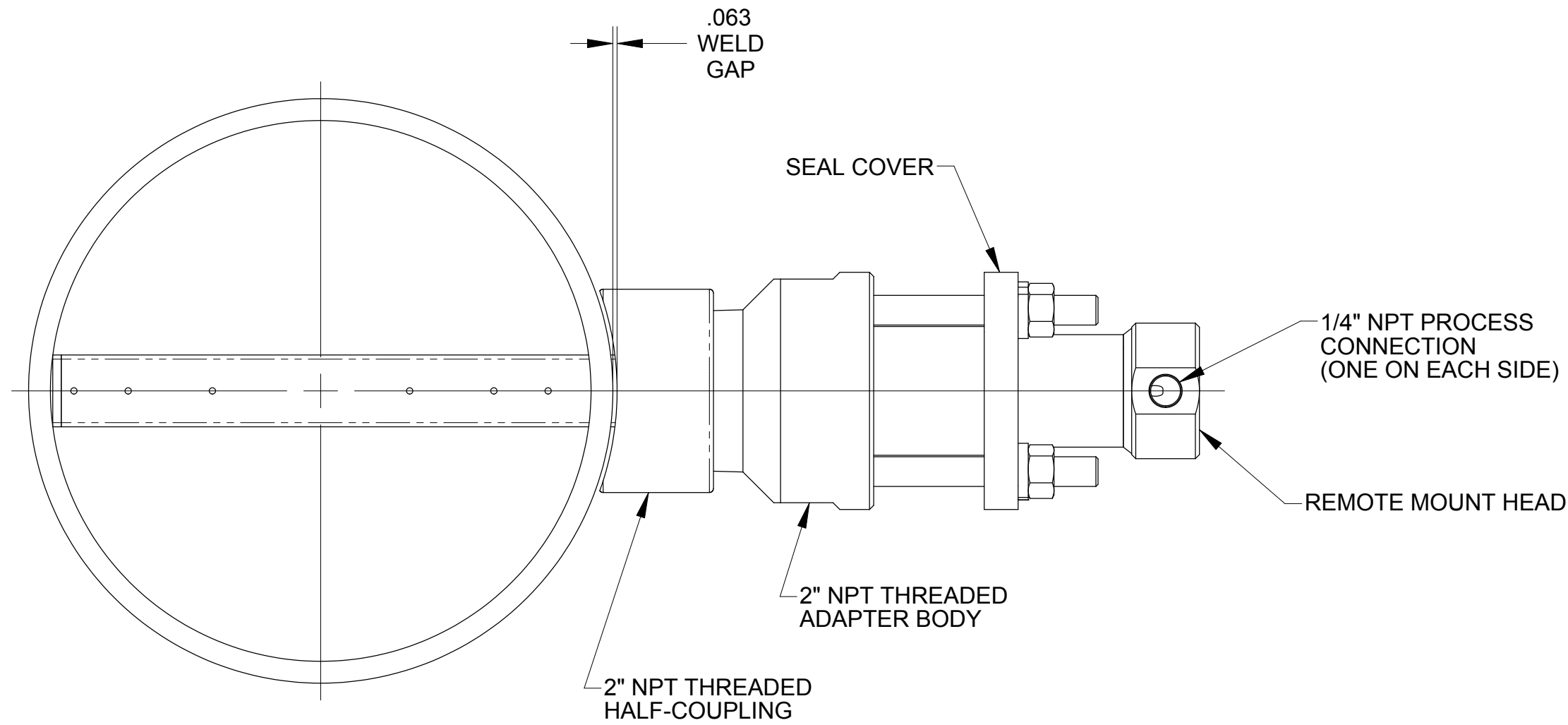



REVISIONS				
REV	DESCRIPTION	CHG.NO.	APP'D	DATE
AA	NEW RELEASE	EC005567	JR	03/25/05



CAUTION
 FOR ACCURATE FLOW MEASUREMENT
 THE CORRECT HOLE SIZE IN PIPE MUST BE:
1-5/16 INCH (33mm)
 DO NOT DRILL OVERSIZE
 DO NOT TORCH CUT HOLE

REMOTE MOUNT HEAD OPTION

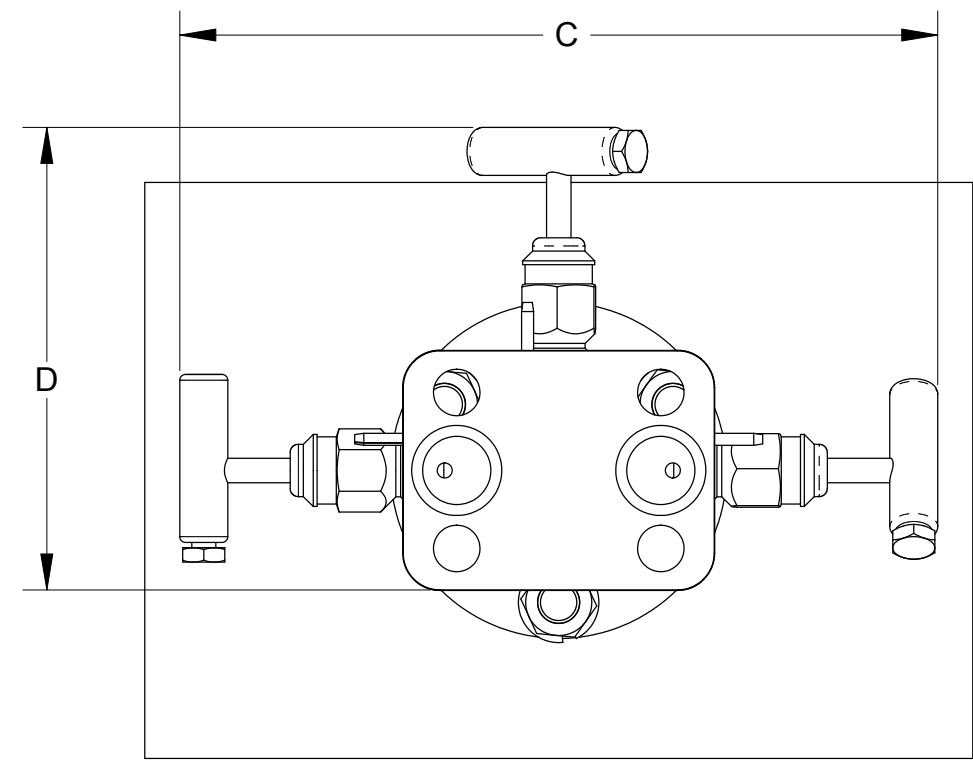
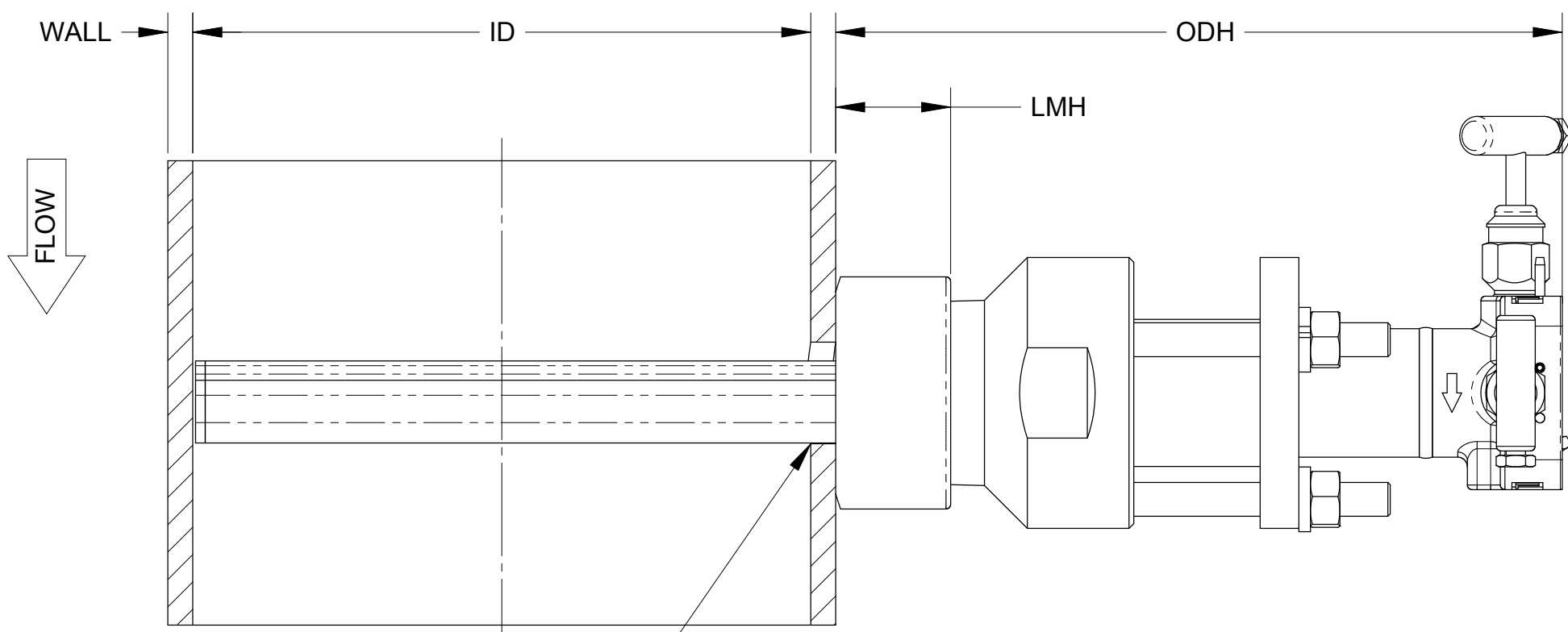
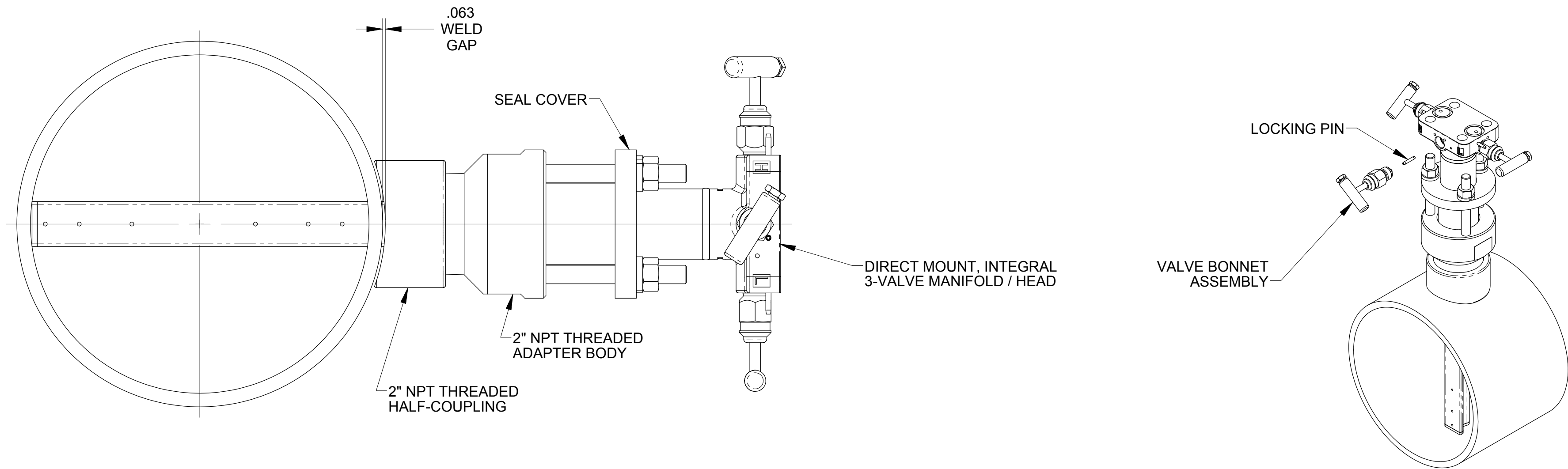
<p>*UNLESS OTHERWISE SPECIFIED DIMENSIONS IN INCHES (MM)</p> <p>*ALL DIMENSIONS ARE NOMINAL AND ARE FOR REFERENCE ONLY</p> 	TYPE I		ROSEMOUNT® BOULDER, COLORADO		
	DR.	J.Rumsey	01/17/05	TITLE	DIMENSIONAL DRAWING FOR 285 SENSOR SIZE 2 ANNUBAR PAK-LOK MOUNTING TYPE
	APPROVAL				
	DRAWING	M.Montgomery	03/25/05	SIZE	DRAWING NO.
	TAGGING			A	00285-1003
SPECIALS			SCALE: NONE	SHEET 1 OF 5	

NOTES:

1. ROSEMOUNT INC. CERTIFIES THIS DRAWING IS IN ACCORDANCE WITH ROSEMOUNT ENGINEERING SPECIFICATIONS AND ACCURATELY REPRESENTS THE EQUIPMENT FURNISHED.
2. ANNUBAR® PRIMARY FLOW ELEMENT IS ACCURATE ONLY WITH CORRECT SIZED DRILLED MOUNTING HOLE. NO TORCH CUT ALLOWED. TOLERANCE +.030/-0.000 (+.8mm/-0.000mm)
3. SENSOR ORIENTATION SHOWN FOR DETAIL ONLY. FOR ACTUAL RECOMMENDED LOCATION AND ORIENTATION REFER TO PRODUCT DATA SHEET 00813-0100-4028, AND THE QUICK INSTALLATION GUIDE (QIG) 00825-0100-4028.
4. FIELD WELD. REFER TO INSTALLATION INSTRUCTIONS FOR WELD REQUIREMENTS.
5. MAXIMUM PRESSURE: 150 ANSI EQUIVALENT (275 PSIG AT 100°F); MAX TEMPERATURE: 300°F FOR INTEGRAL TRANSMITTER MOUNTING AND REMOTE MOUNTING.
6. FOR MODEL SELECTIONS, REFER TO ROSEMOUNT PRODUCT DATA SHEET 00813-0100-4028.
7. FOR REMOTE MOUNT INSTRUMENT CONNECTIONS, ORIENTATION OF INSTRUMENT CONNECTION ASSEMBLY IS FOR REFERENCE ONLY, UNLESS OTHERWISE NOTED. FOR COMPLETE INSTRUCTIONS, REFER TO PRODUCT DATA SHEET 00813-0100-4028, AND THE QUICK INSTALLATION GUIDE (QIG) 00825-0100-4028.
8. FOR REMOTE MOUNT INTEGRAL ORIENTATION, ASSEMBLY IS THE SAME ON HORIZONTAL OR VERTICAL LINE.

TABLE 1 - DIMENSIONS	
DIMENSIONS	VALUE (MAX)
ODH	11.00 (279.4mm)
B	5.0 (127.0mm)
C	9.0 (228.6mm)
LMH	1.69 (42.9mm)

ROSEMOUNT®		
BOULDER, COLORADO		
SIZE A	FSCM.NO.	DRAWING NO. 00285-1003
SCALE: NONE	WT.	SHEET 2 OF 5

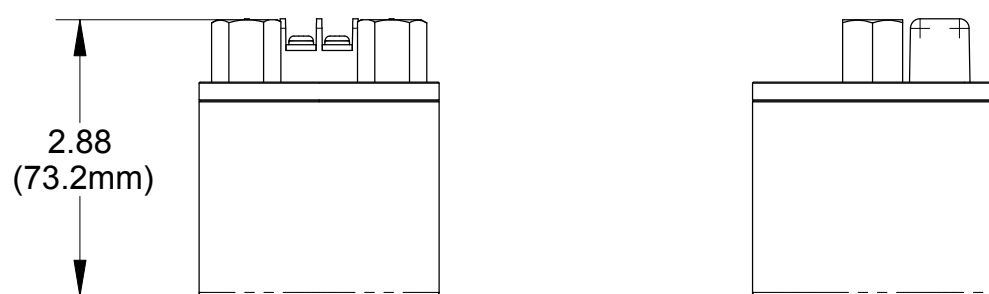
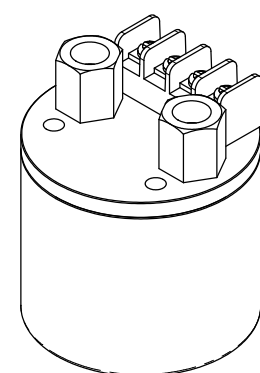
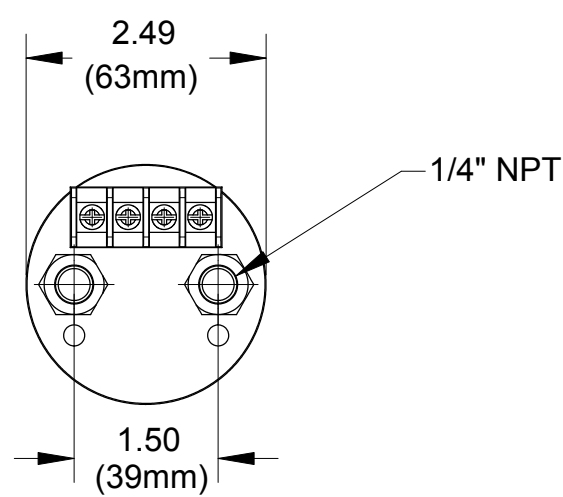
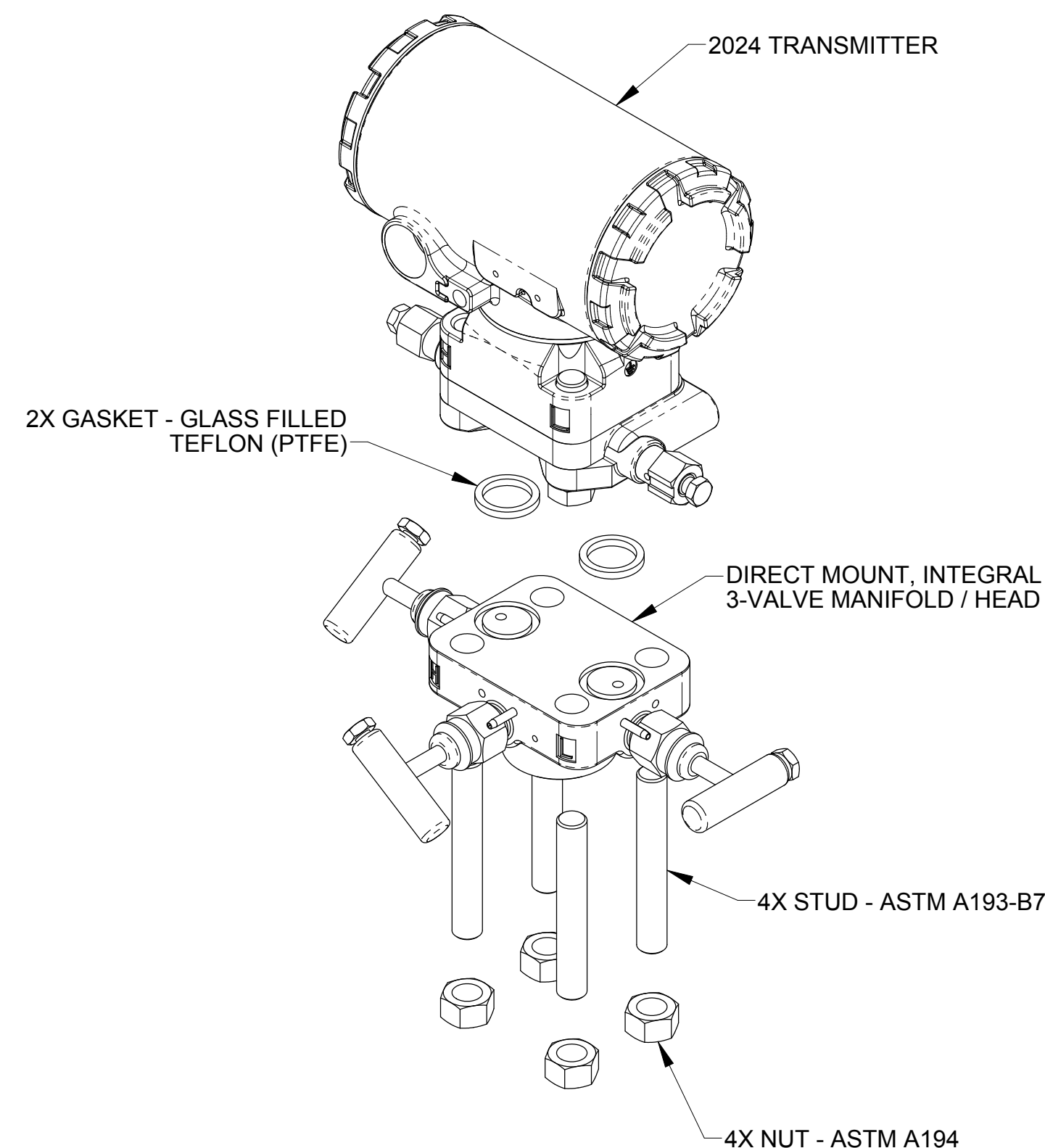
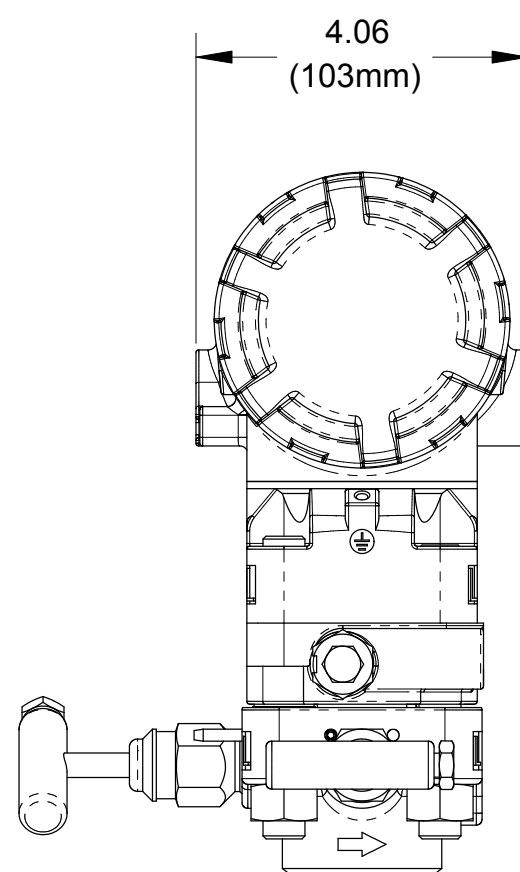
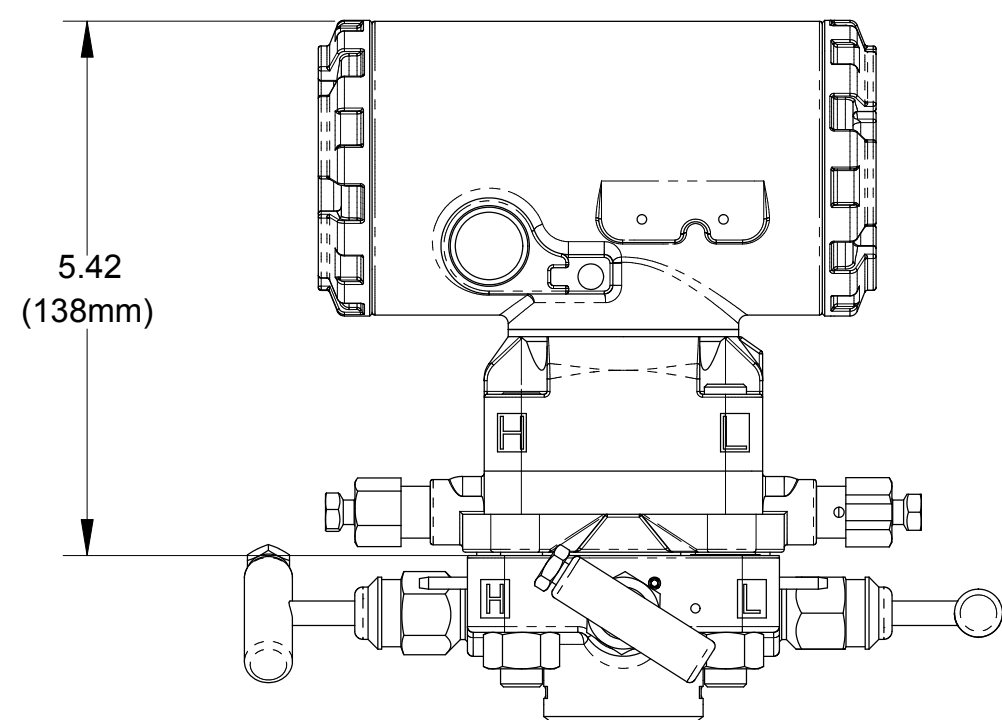
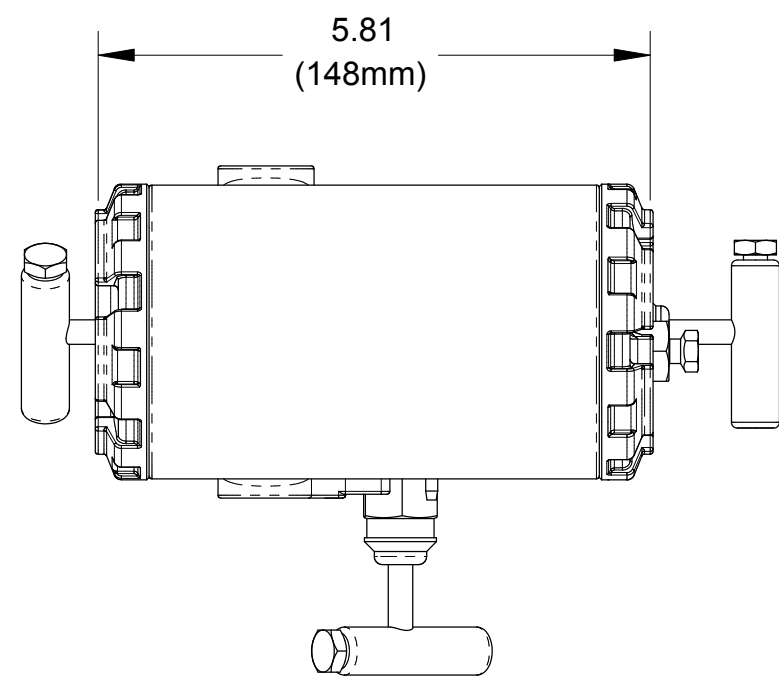


CAUTION
 FOR ACCURATE FLOW MEASUREMENT
 THE CORRECT HOLE SIZE IN PIPE MUST BE:
1-5/16 INCH (33mm)
 DO NOT DRILL OVERSIZE
 DO NOT TORCH CUT HOLE

2

DIRECT MOUNT HEAD OPTION

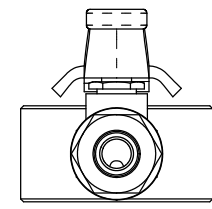
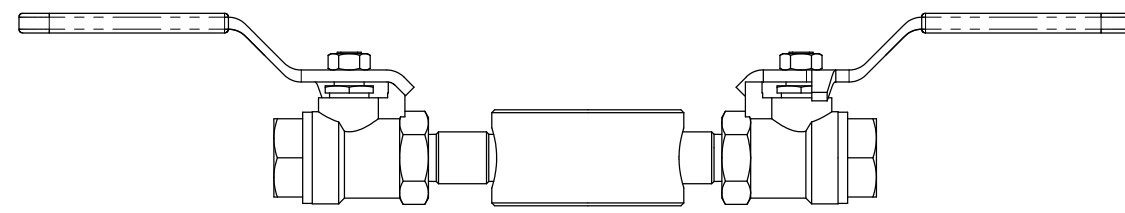
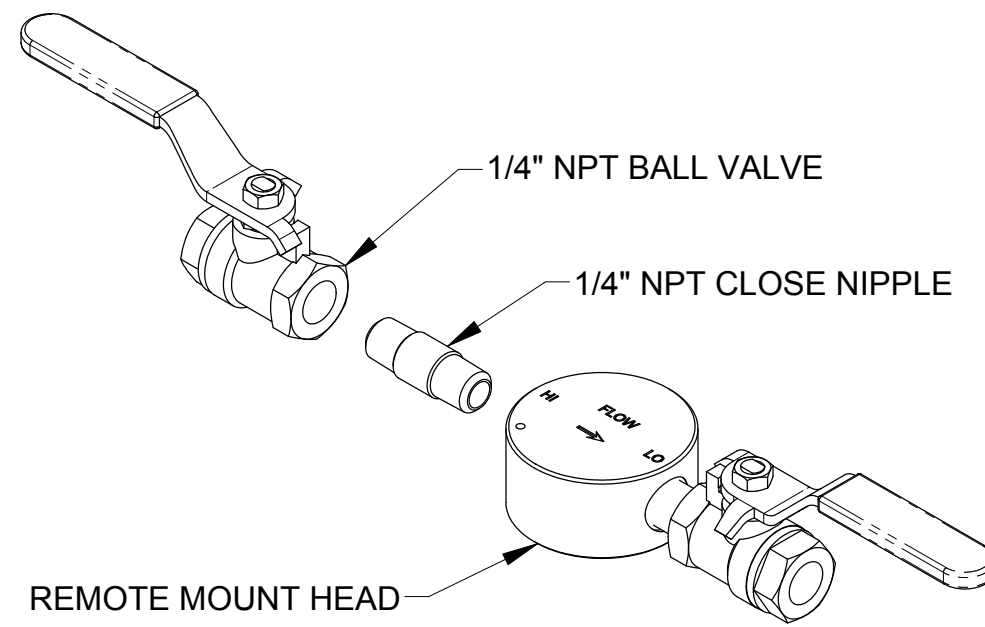
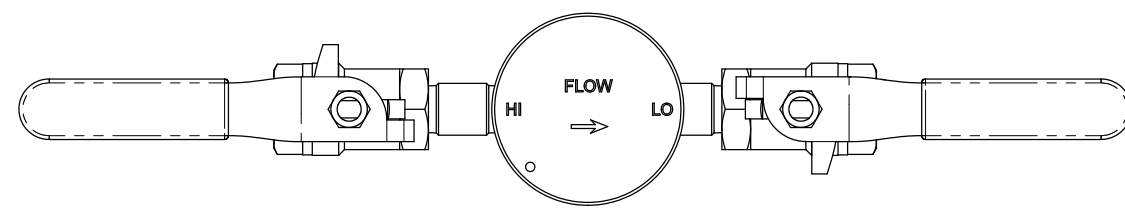
ROSEMOUNT®		
BOULDER, COLORADO		
SIZE A	FSCM.NO.	DRAWING NO. 00285-1003
SCALE: NONE	WT.	SHEET 3 OF 5



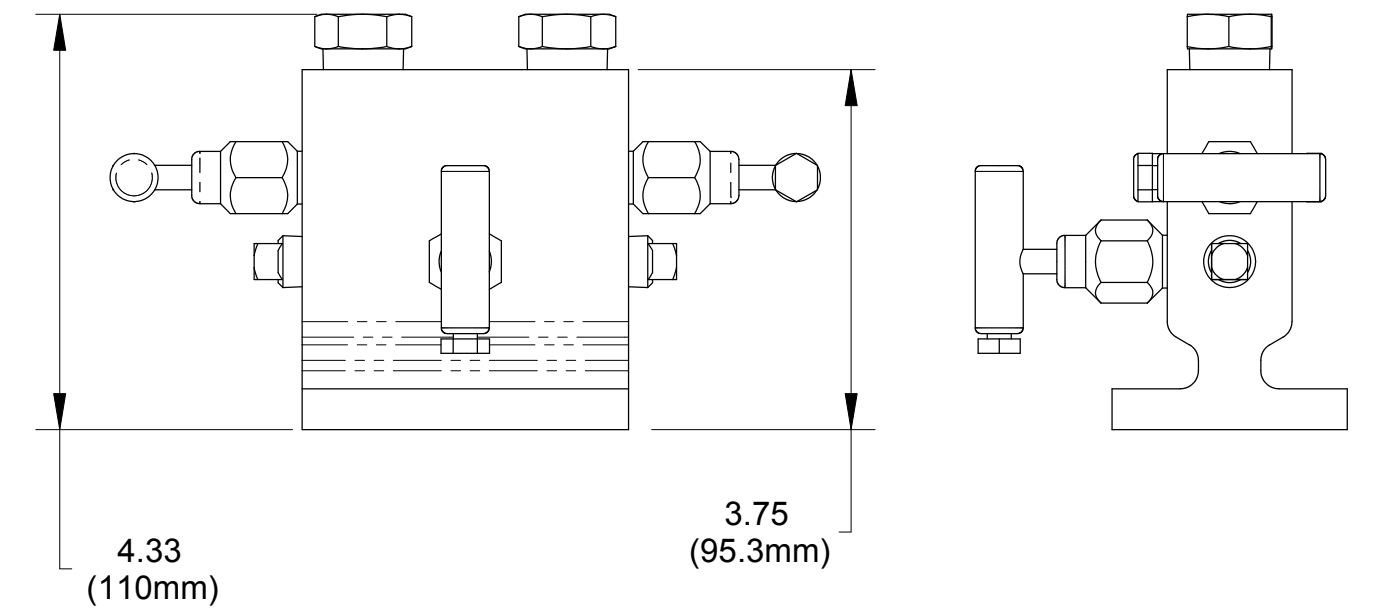
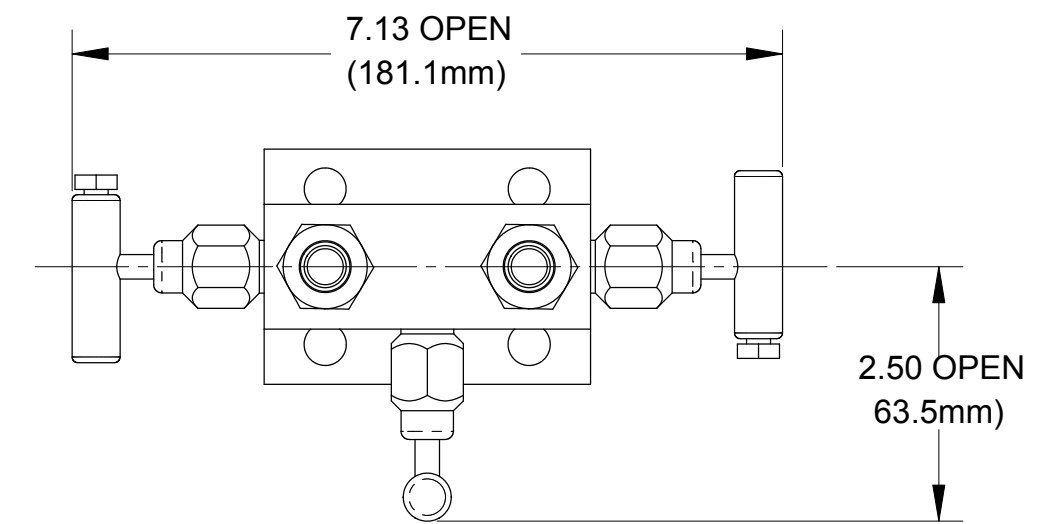
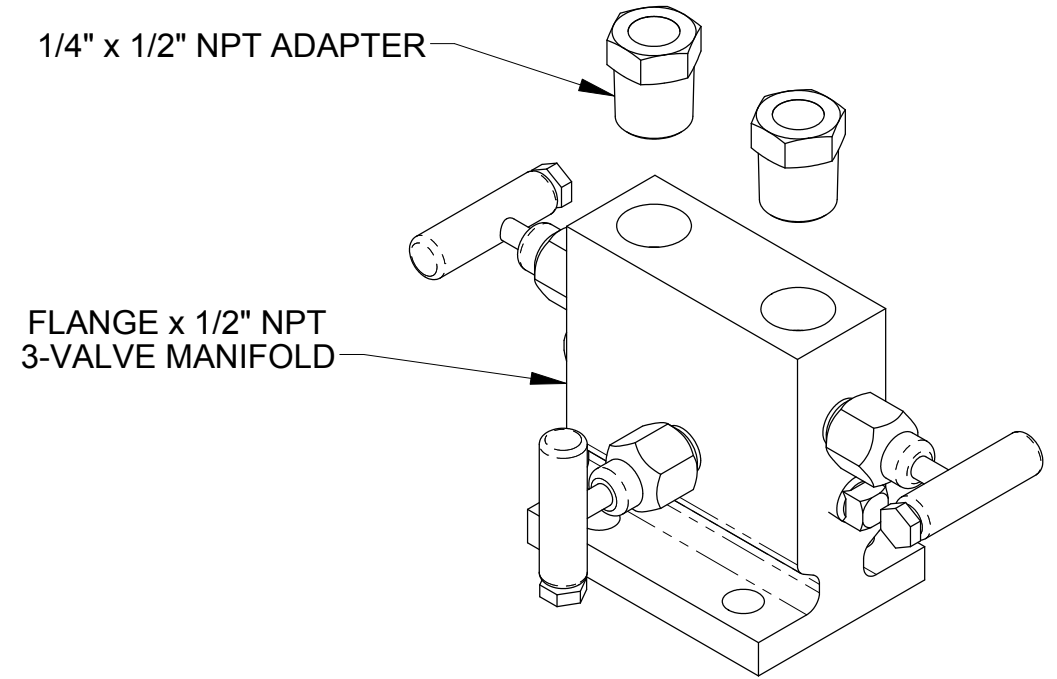
**OPTIONAL 951 DRY GAS TRANSMITTER
(REMOTE MOUNT ONLY)**

**DIRECT MOUNT ELECTRONICS
CONNECTION PLATFORM
WITH 2024 TRANSMITTER ATTACHED**

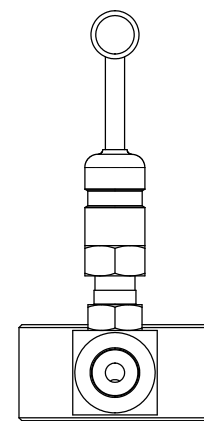
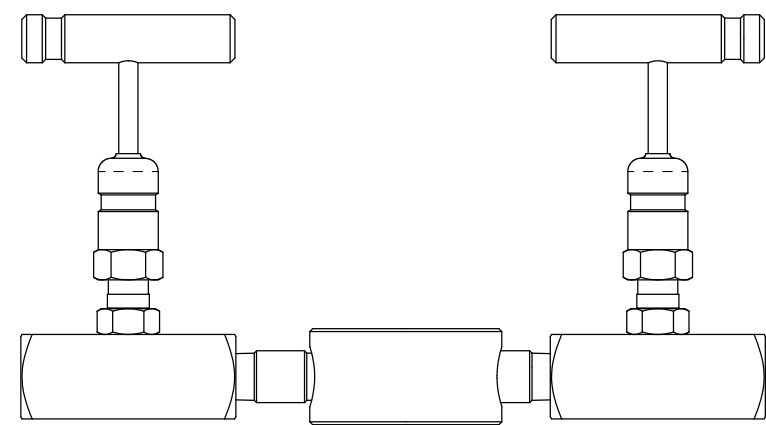
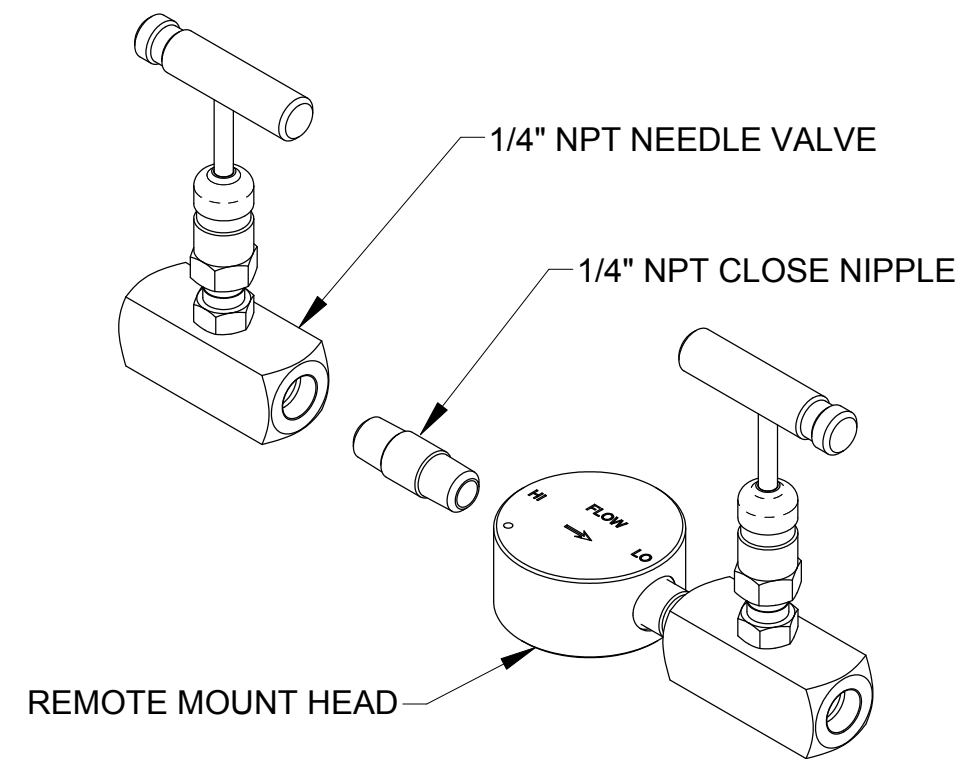
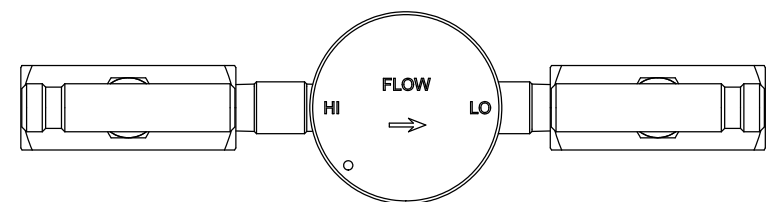
ROSEMOUNT®		
BOULDER, COLORADO		
SIZE A	FSCM.NO.	DRAWING NO. 00285-1003
SCALE: NONE	WT.	SHEET 4 OF 5



**REMOTE MOUNT ELECTRONICS
CONNECTION PLATFORM
WITH BALL VALVES**



**OPTIONAL REMOTE MOUNT
3-VALVE MANIFOLD**



**REMOTE MOUNT ELECTRONICS
CONNECTION PLATFORM
WITH NEEDLE VALVES**

ROSEMOUNT®		
BOULDER, COLORADO		
SIZE A	FSCM.NO.	DRAWING NO. 00285-1003
SCALE: NONE	WT.	SHEET 5 OF 5