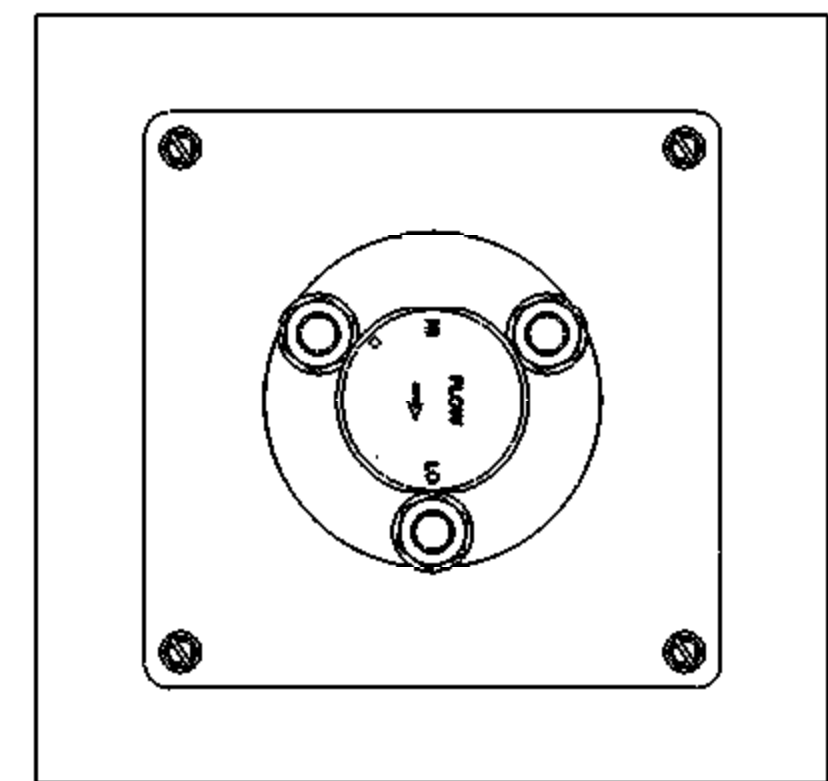
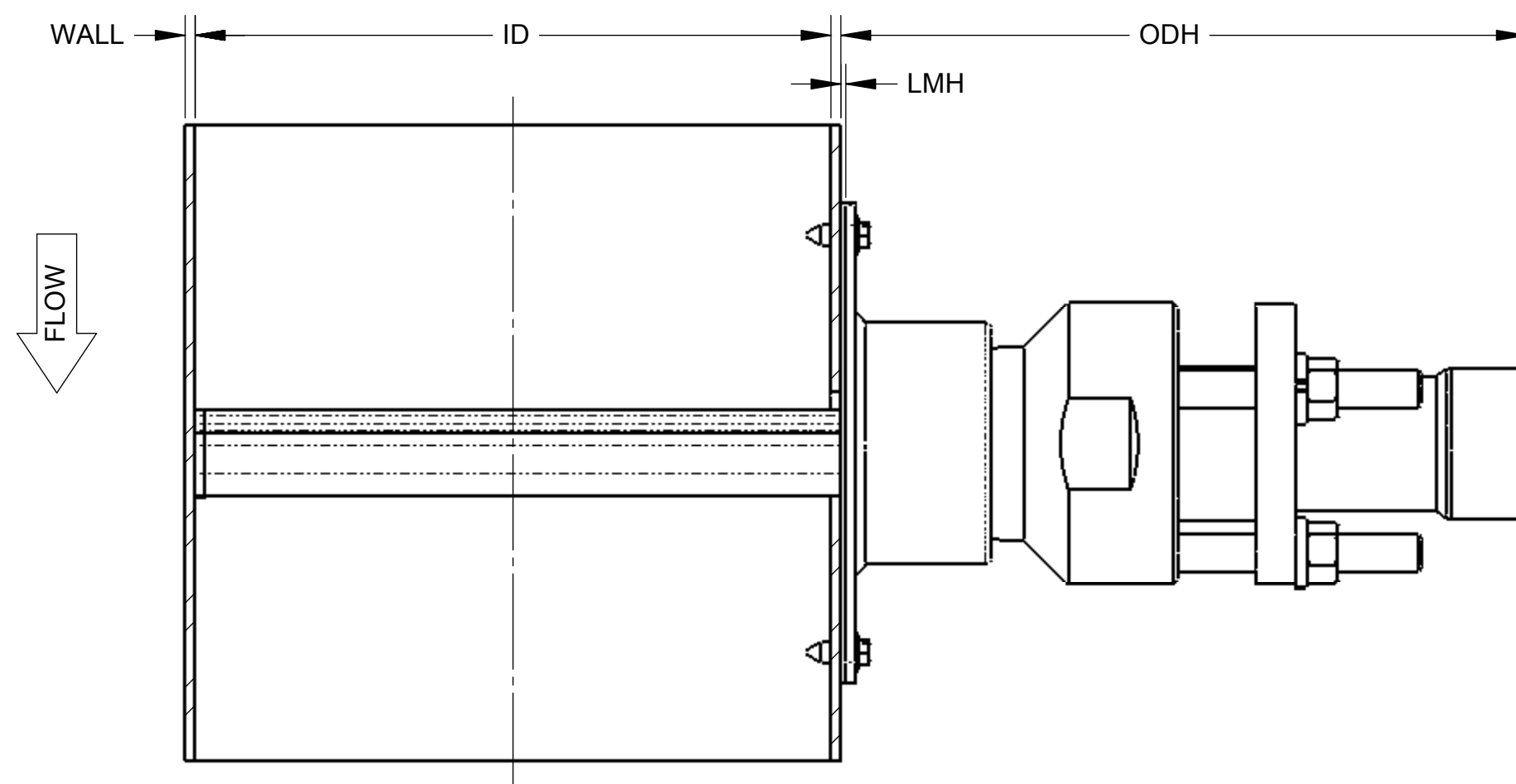
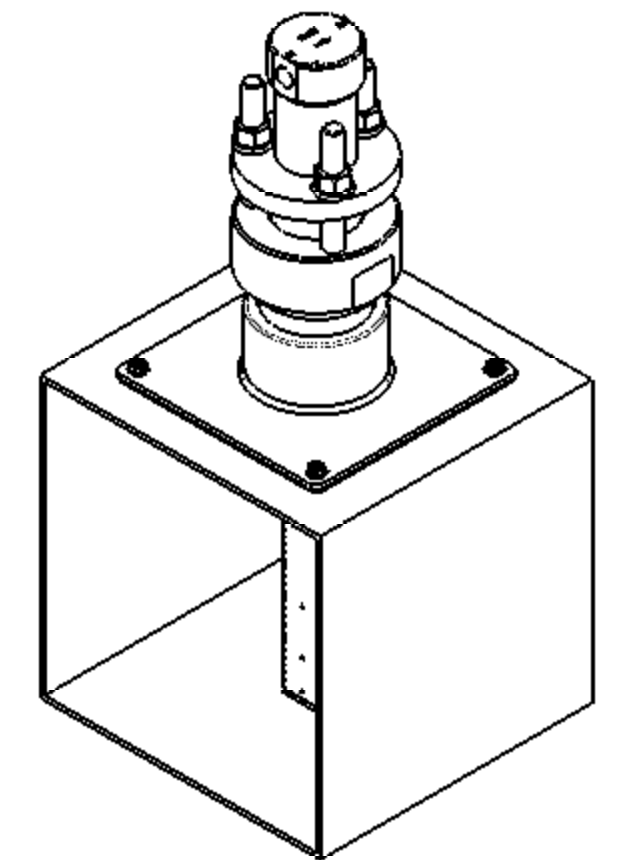
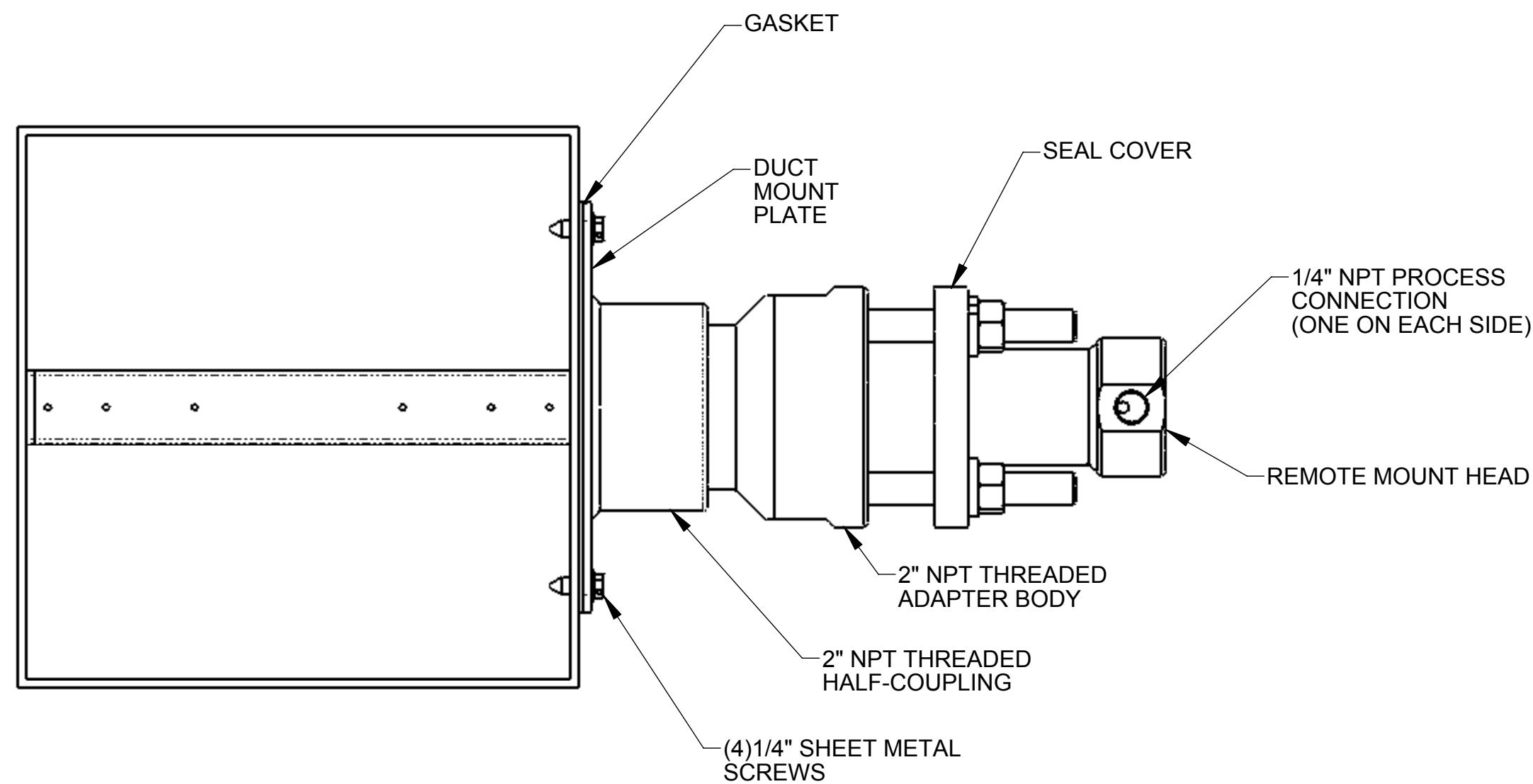


REVISIONS				
REV	DESCRIPTION	CHG.NO.	APP'D	DATE
AC	REVISED 285 TYPE I DRAWINGS TO SHOW FLANGE MOUNTING DIMENSIONS.	EC006521	JR	06/13/06



**REMOTE MOUNT HEAD OPTION**

**CAUTION**  
 FOR ACCURATE FLOW MEASUREMENT  
 THE CORRECT HOLE SIZE IN PIPE MUST BE:  
**1-5/16 INCH (33mm)**  
 DO NOT DRILL OVERSIZE  
 DO NOT TORCH CUT HOLE

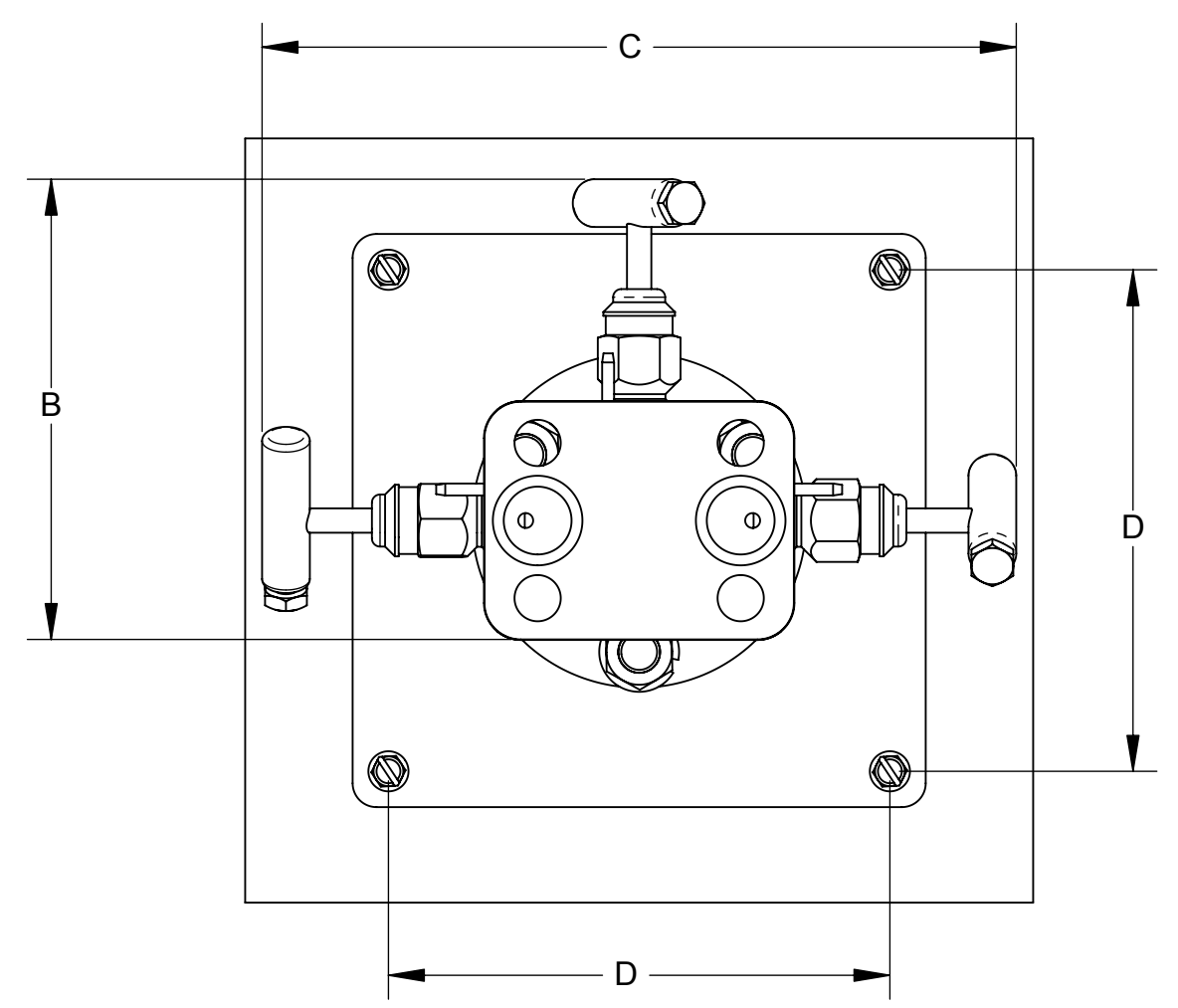
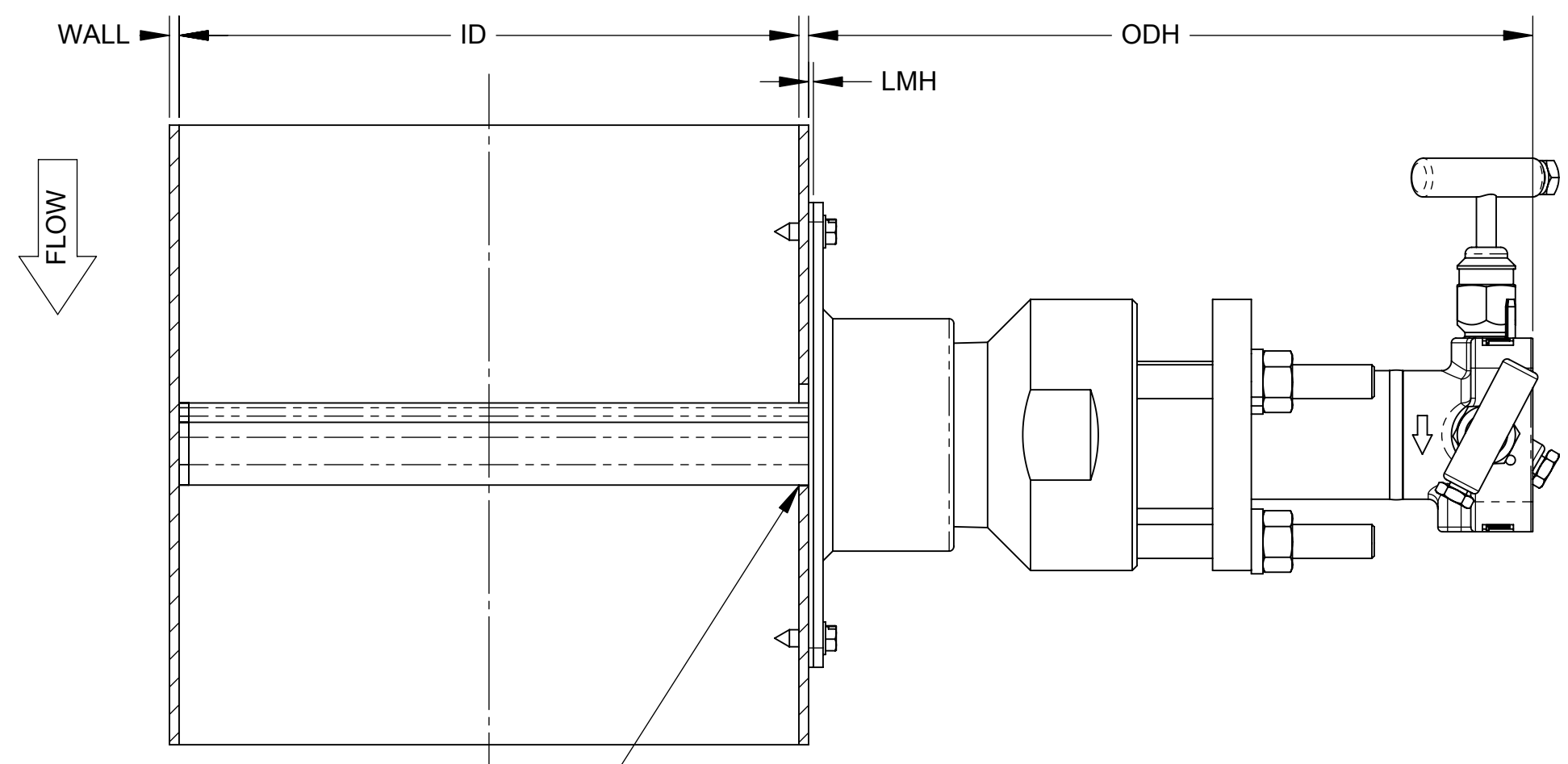
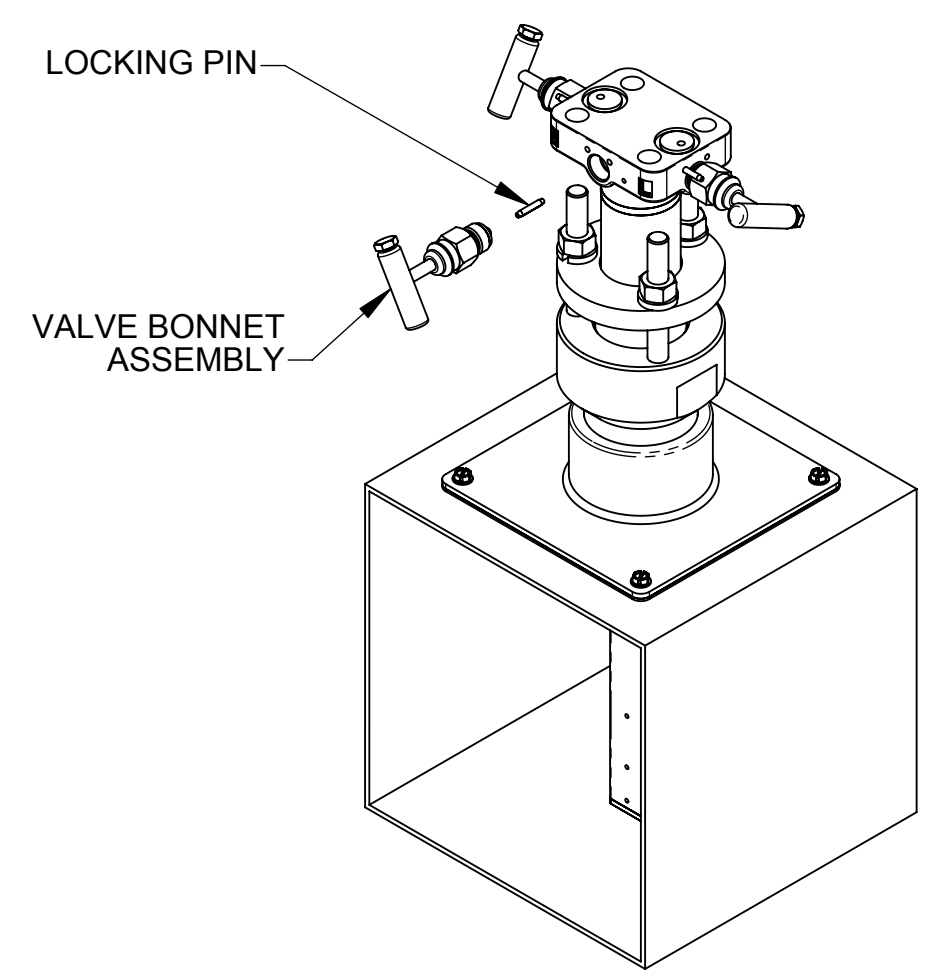
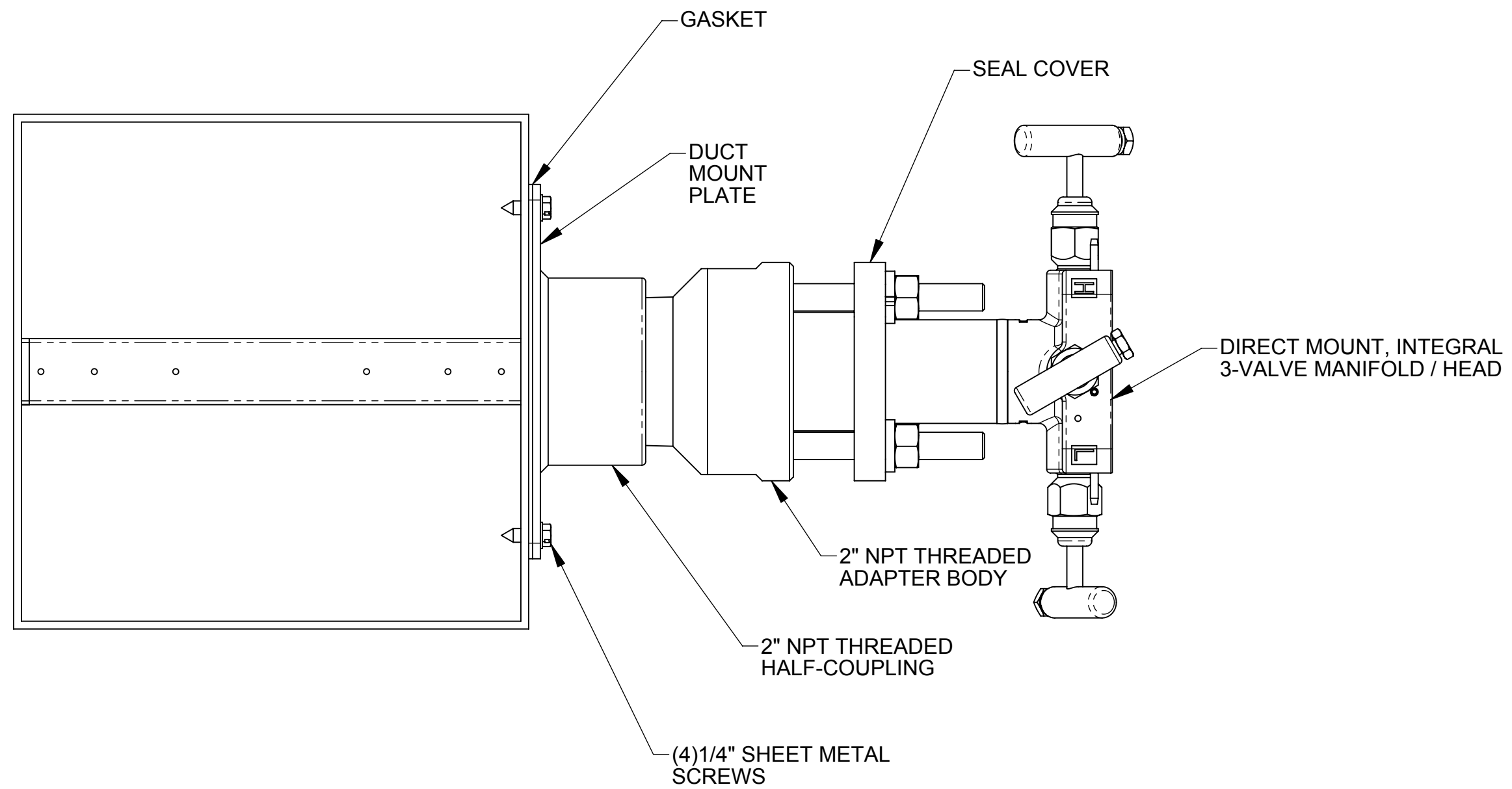
*UNLESS OTHERWISE SPECIFIED DIMENSIONS IN INCHES (MM)		<b>TYPE I</b>		<b>ROSEMOUNT®</b> BOULDER, COLORADO	
*ALL DIMENSIONS ARE NOMINAL AND ARE FOR REFERENCE ONLY		DR. jrumsey	01/17/05	TITLE DIMENSIONAL DRAWING FOR 285 SENSOR SIZE 2 ANNUBAR, DUCT MOUNT WITH COMPRESSION FITTING	
		APPROVAL		SIZE C	DRAWING NO. 00285-1005
		DRAWING M.Montgomery	03/25/05		
		TAGGING			
		SPECIALS		SCALE: NONE	
				SHEET 1 OF 5	

NOTES:

1. ROSEMOUNT INC. CERTIFIES THIS DRAWING IS IN ACCORDANCE WITH ROSEMOUNT ENGINEERING SPECIFICATIONS AND ACCURATELY REPRESENTS THE EQUIPMENT FURNISHED.
2. ANNUBAR® PRIMARY FLOW ELEMENT IS ACCURATE ONLY WITH CORRECT SIZED DRILLED MOUNTING HOLE. NO TORCH CUT ALLOWED. TOLERANCE +.030/-0.000 (+.8mm/-0.000mm)
3. SENSOR ORIENTATION SHOWN FOR DETAIL ONLY. FOR ACTUAL RECOMMENDED LOCATION AND ORIENTATION REFER TO PRODUCT DATA SHEET 00813-0100-4028, AND THE QUICK INSTALLATION GUIDE (QIG) 00825-0100-4031.
4. FIELD WELD. REFER TO INSTALLATION INSTRUCTIONS FOR WELD REQUIREMENTS.
5. MAXIMUM PRESSURE: 10 PSIG; MAX TEMPERATURE: 300°F FOR INTEGRAL TRANSMITTER MOUNTING AND REMOTE MOUNTING.
6. FOR MODEL SELECTIONS, REFER TO ROSEMOUNT PRODUCT DATA SHEET 00813-0100-4028.
7. FOR REMOTE MOUNT INSTRUMENT CONNECTIONS, ORIENTATION OF INSTRUMENT CONNECTION ASSEMBLY IS FOR REFERENCE ONLY, UNLESS OTHERWISE NOTED. FOR COMPLETE INSTRUCTIONS, REFER TO PRODUCT DATA SHEET 00813-0100-4028, AND THE QUICK INSTALLATION GUIDE (QIG) 00825-0100-4031.
8. FOR REMOTE MOUNT INTEGRAL ORIENTATION, ASSEMBLY IS THE SAME ON HORIZONTAL OR VERTICAL LINE.

TABLE 1 - DIMENSIONS	
DIMENSIONS	VALUE (MAX)
ODH	8.5 (215.9mm)
B	5.0 (127.0mm)
C	9.0 (228.6mm)
D	5.25 (133.4mm)
LMH	0.1 (2.5mm)

<b>ROSEMOUNT®</b>		
BOULDER, COLORADO		
SIZE A	FSCM.NO.	DRAWING NO. <b>00285-1005</b>
SCALE: 1:2	WT.	SHEET: 2 of 5

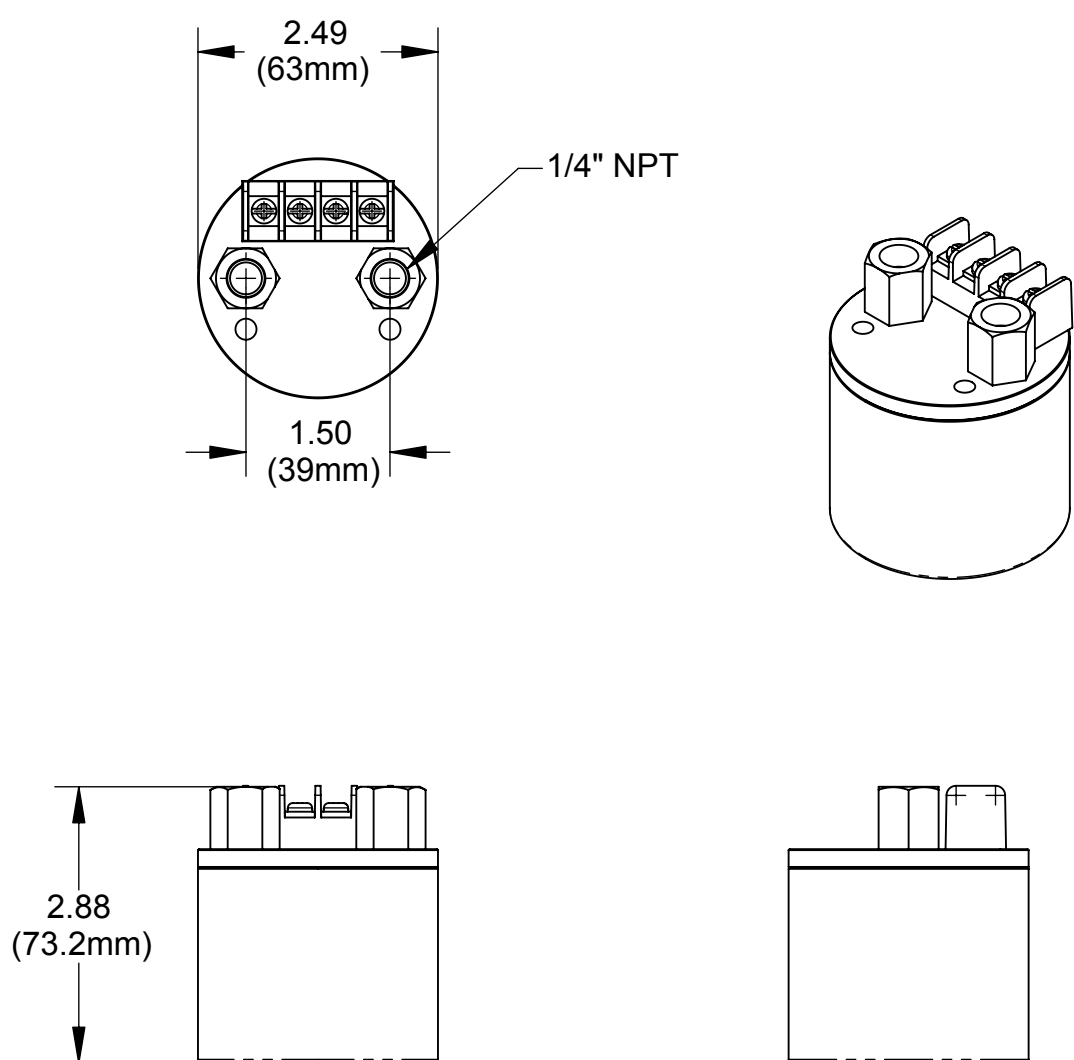
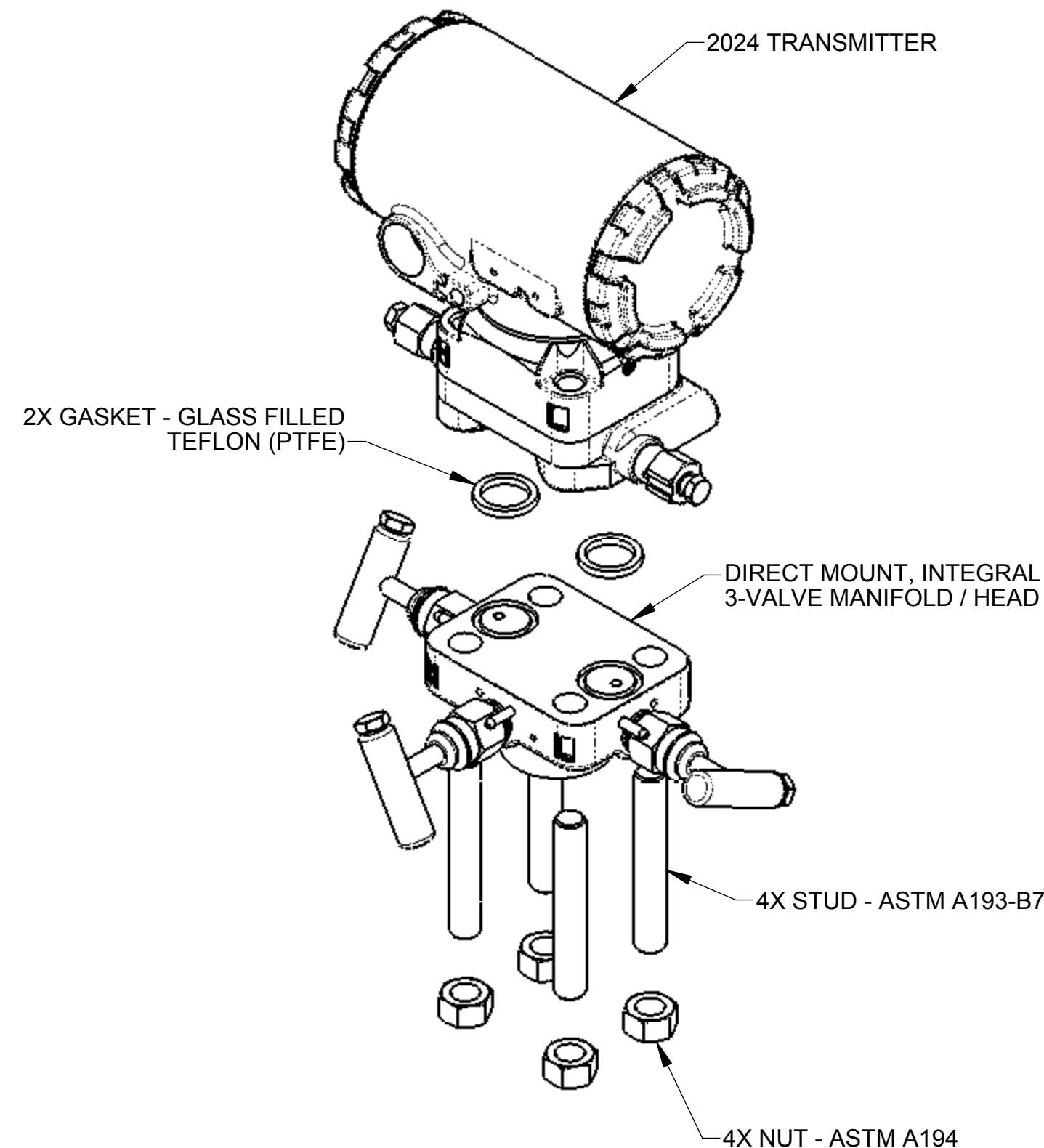
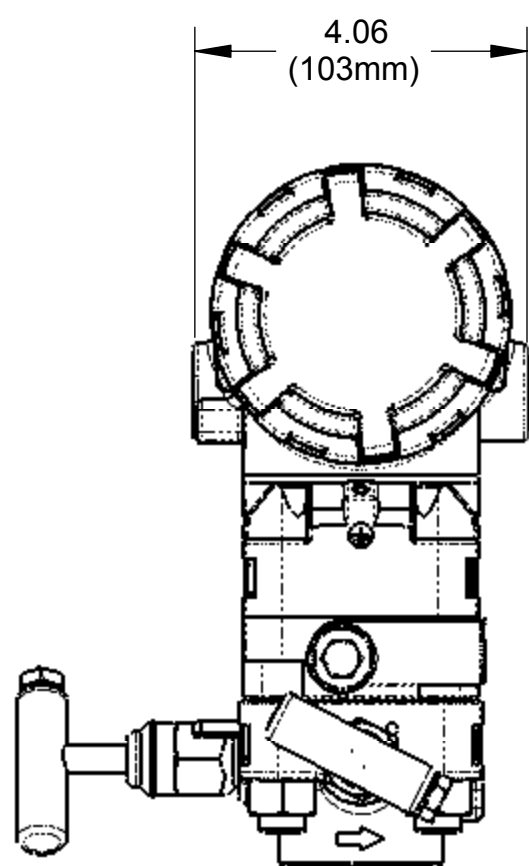
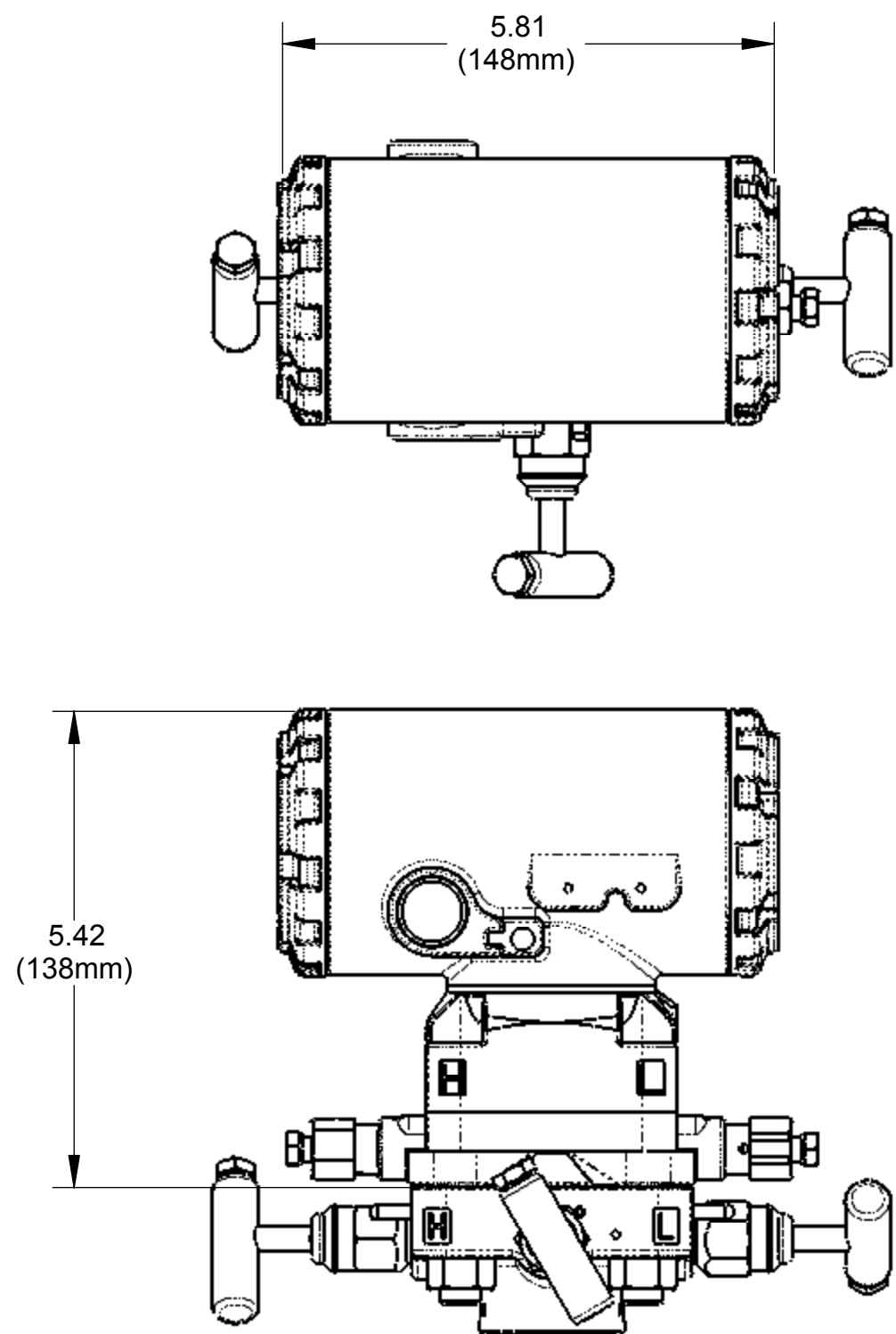


**CAUTION**  
 FOR ACCURATE FLOW MEASUREMENT  
 THE CORRECT HOLE SIZE IN PIPE MUST BE:  
**1-5/16 INCH (33mm)**  
 DO NOT DRILL OVERSIZE  
 DO NOT TORCH CUT HOLE

**DIRECT MOUNT HEAD OPTION**

**ROSEMOUNT®**  
 BOULDER, COLORADO

SIZE A	FSCM.NO.	DRAWING NO. <b>00285-1005</b>
SCALE: 1:4	WT.	SHEET: 3 of 5



**OPTIONAL 951 DRY GAS TRANSMITTER  
(REMOTE MOUNT ONLY)**

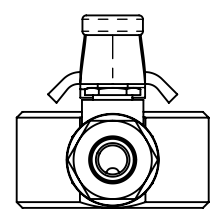
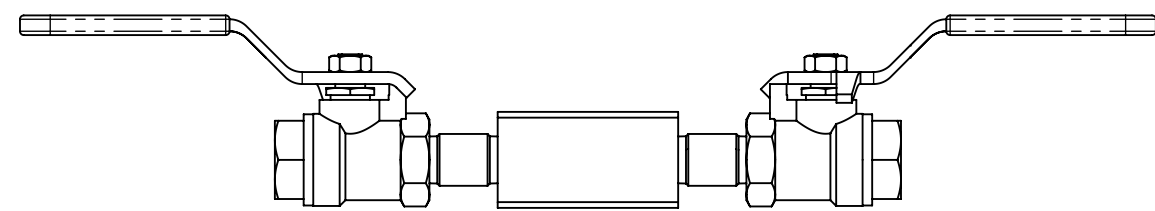
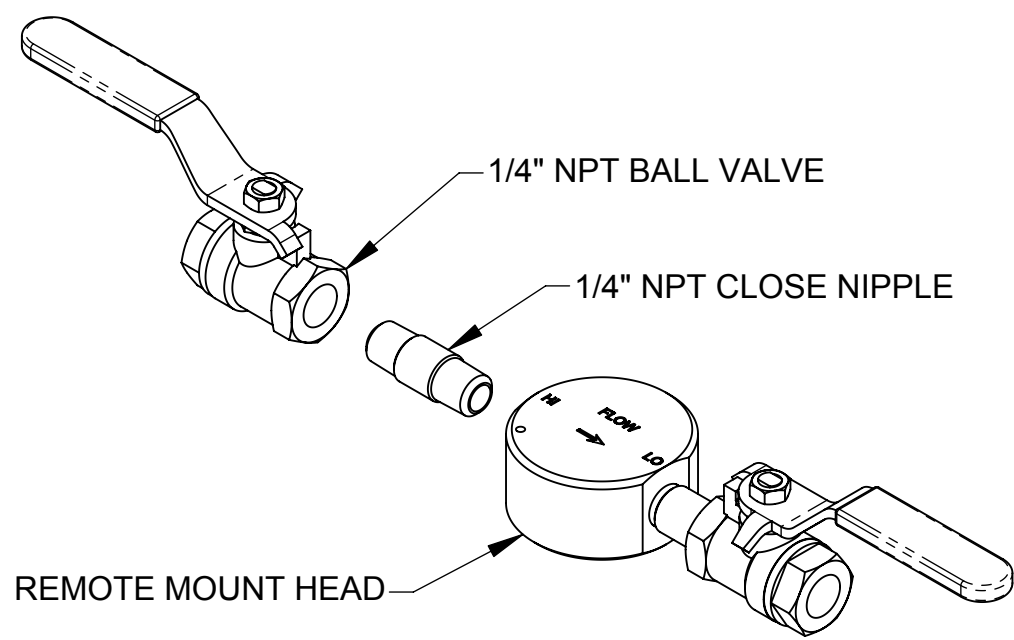
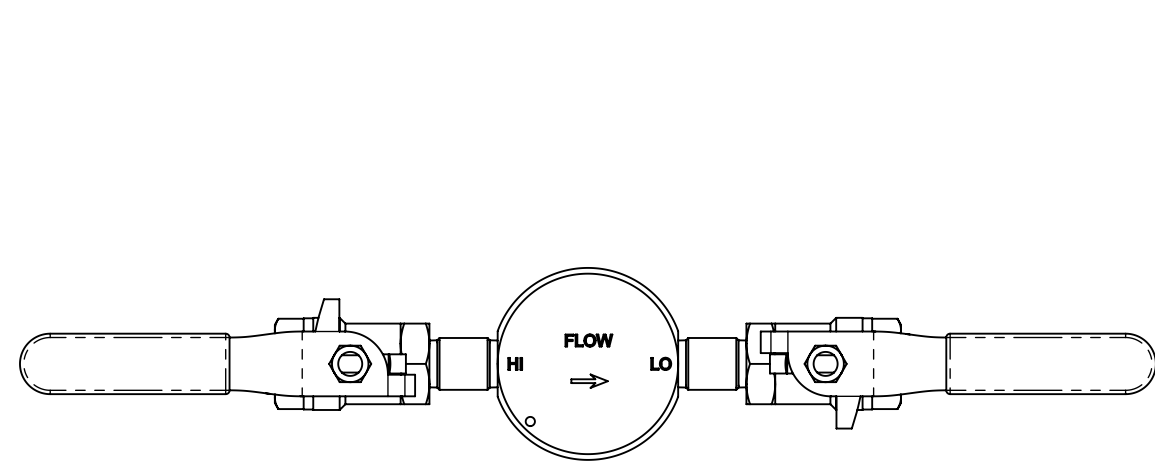
**DIRECT MOUNT ELECTRONICS  
CONNECTION PLATFORM  
WITH 2024 TRANSMITTER ATTACHED**

**ROSEMOUNT®**

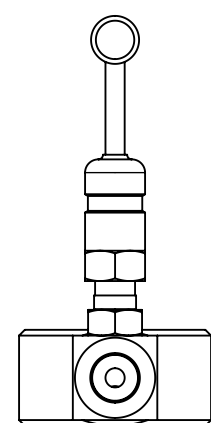
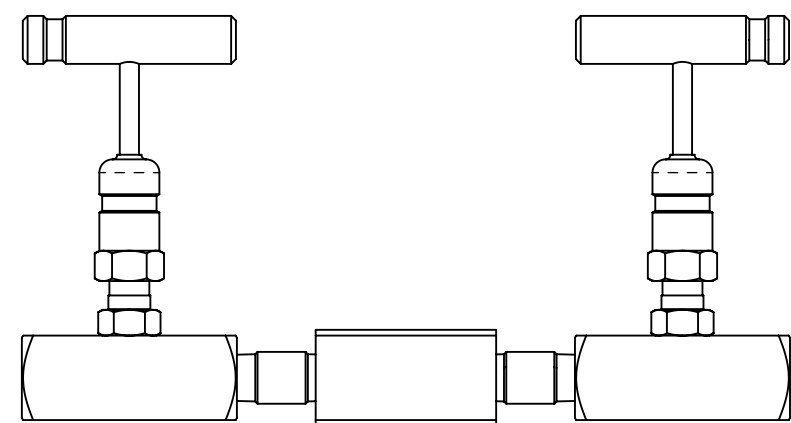
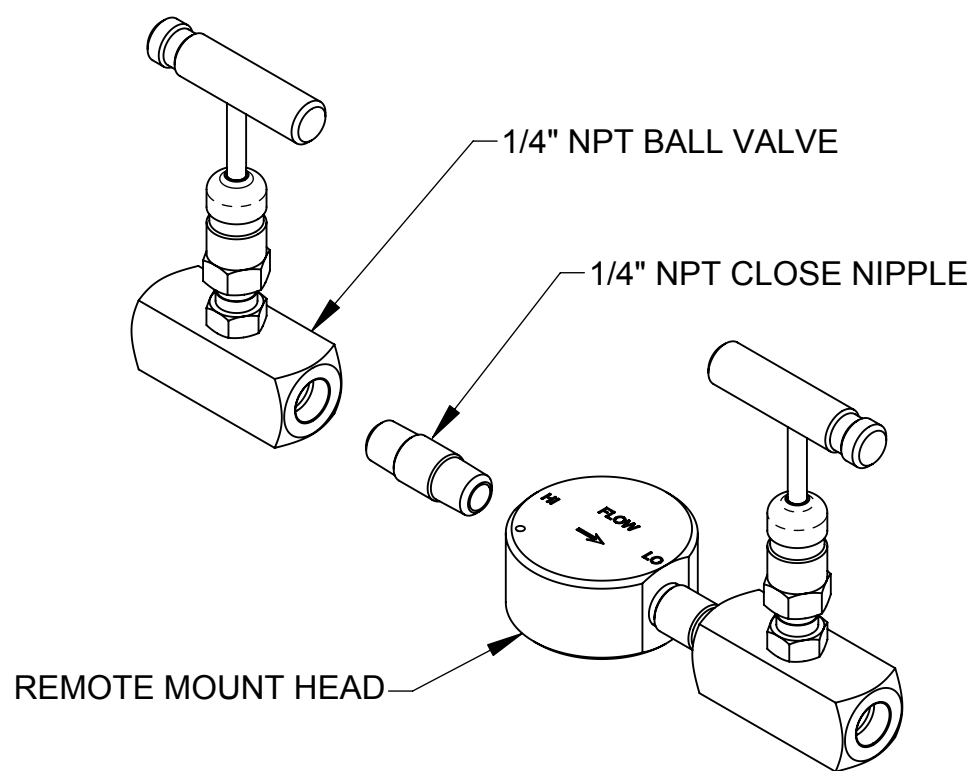
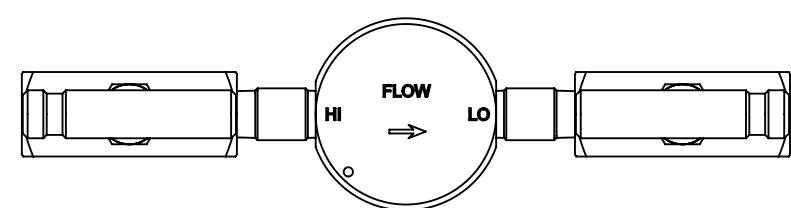
BOULDER, COLORADO

SIZE A	FSCM.NO.	DRAWING NO. <b>00285-1005</b>
-----------	----------	----------------------------------

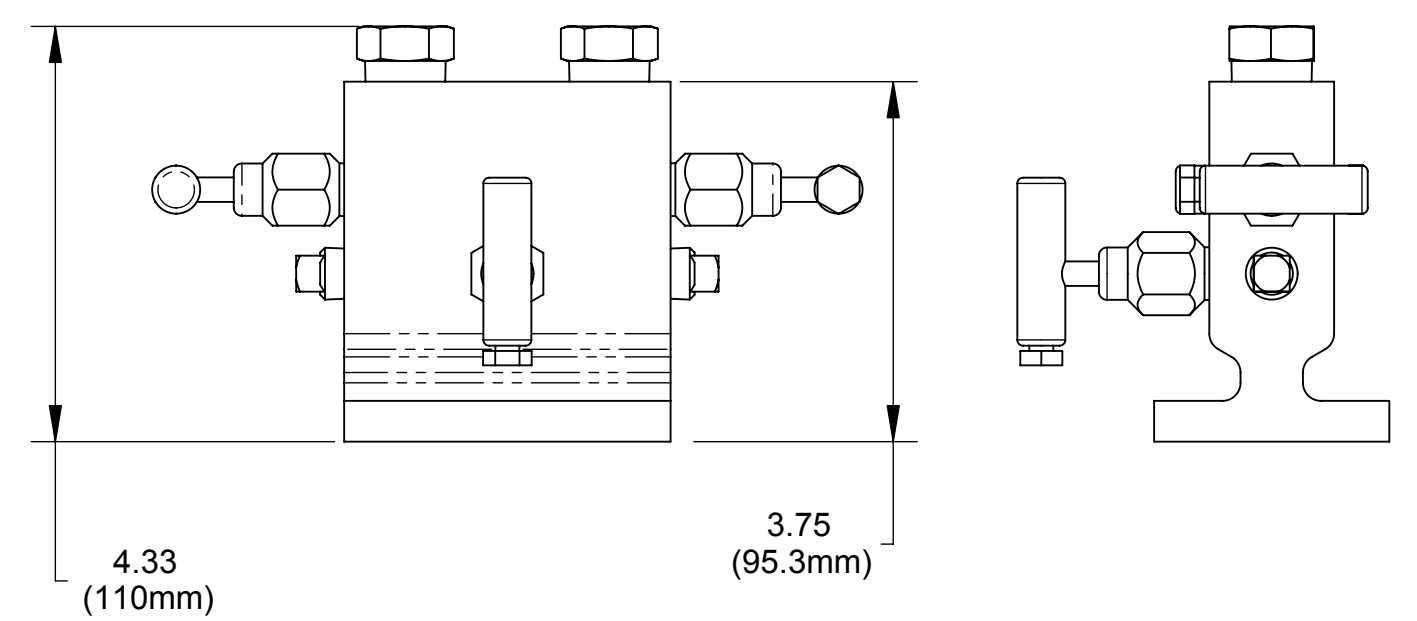
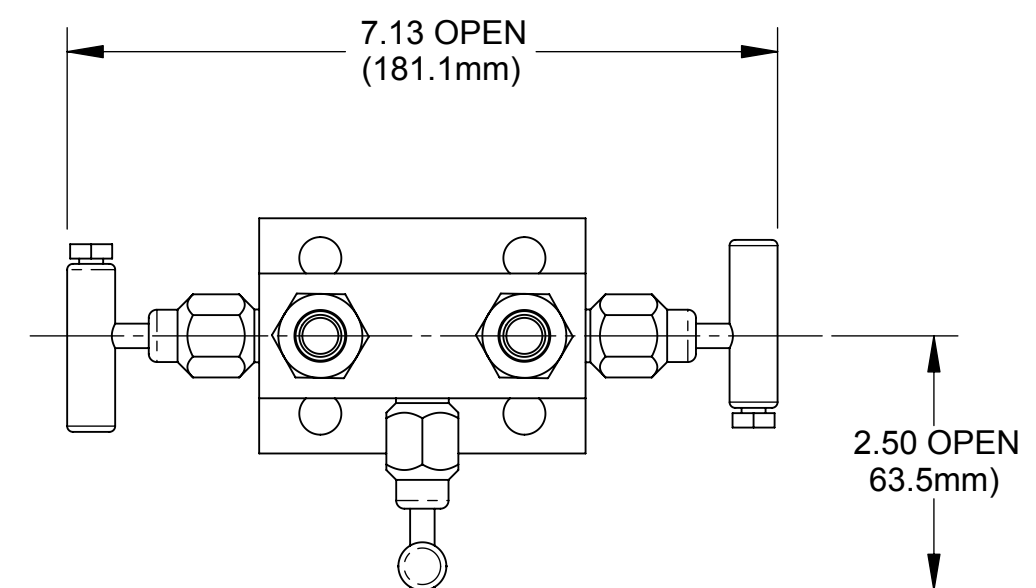
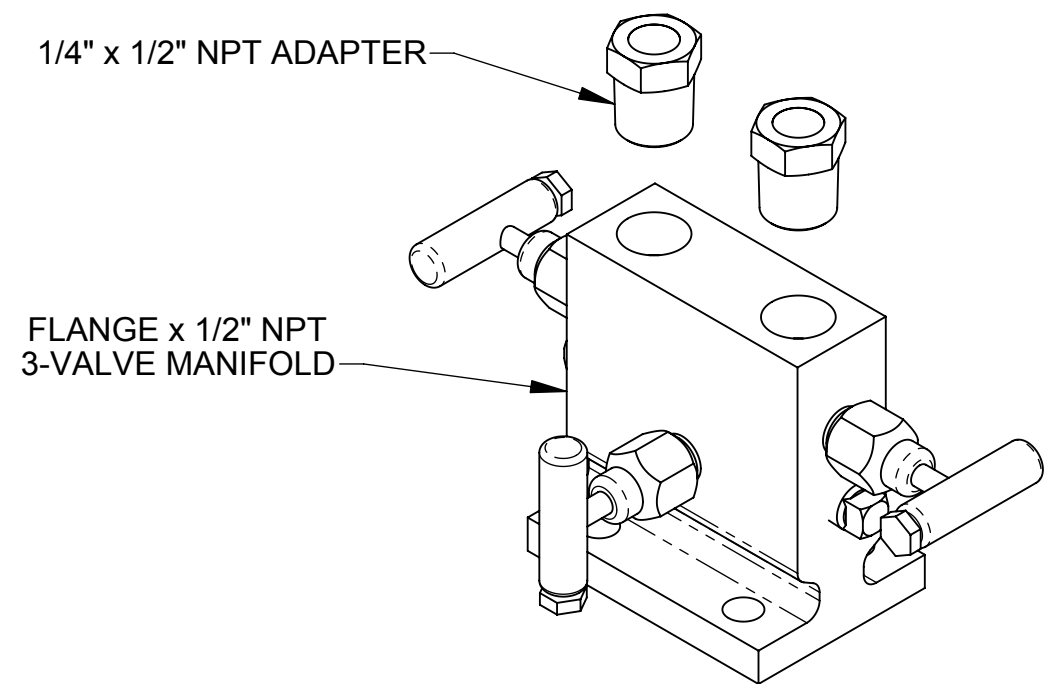
SCALE: 1:4	WT.	SHEET: 4 of 5
------------	-----	---------------



**REMOTE MOUNT ELECTRONICS  
CONNECTION PLATFORM  
WITH BALL VALVES**



**REMOTE MOUNT ELECTRONICS  
CONNECTION PLATFORM  
WITH NEEDLE VALVES**



**OPTIONAL REMOTE MOUNT  
3-VALVE MANIFOLD**

<b>ROSEMOUNT®</b>		
BOULDER, COLORADO		
SIZE A	FSCM.NO.	DRAWING NO. <b>00285-1005</b>
SCALE: 1:2	WT.	SHEET: 5 of 5