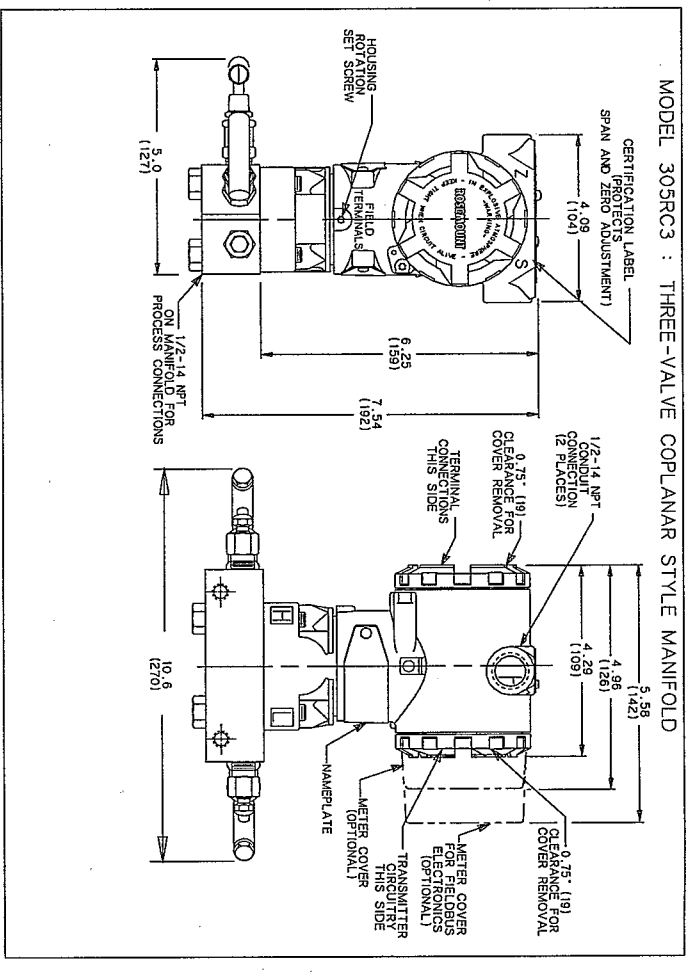
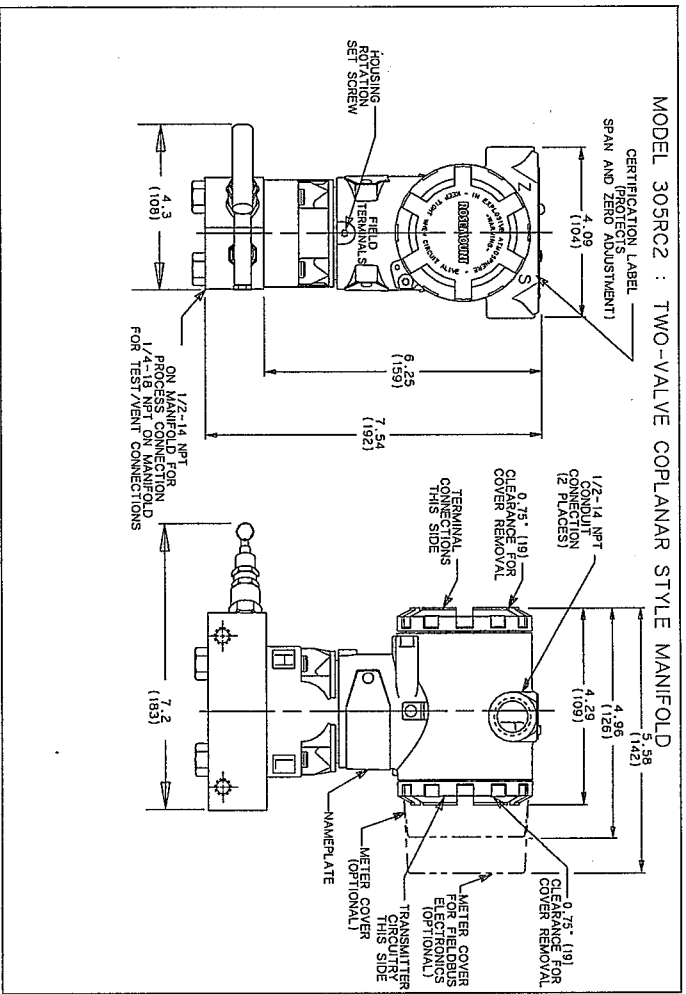


REVISIONS			
REV	DESCRIPTION	CHG. NO.	APP. D. DATE
AA	INITIAL RELEASE	RTC1008829	-

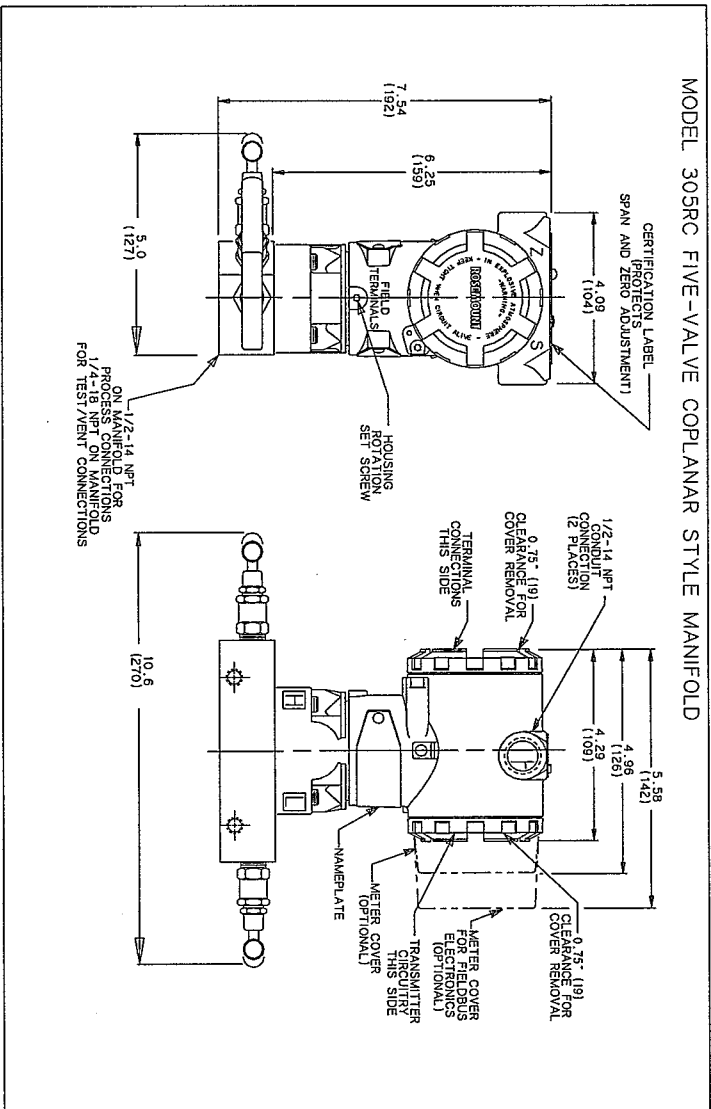


- ROSEMOUNT INC. CERTIFIES THIS DRAWING IS IN ACCORDANCE WITH ROSEMOUNT ENGINEERING SPECIFICATIONS AND ACCURATELY REPRESENTS THE EQUIPMENT FURNISHED.
- REFERENCE INSTRUCTION MANUAL FOR DETAIL INSTALLATION INFORMATION
- DIMENSIONS ARE IN INCHES. DIMENSIONS SHOWN IN PARENTHESES ARE IN MILLIMETERS.

THIS DRAWING WAS CREATED ON CAD. YELLUM MASTER IS NOT TO BE CHANGED. DRAWING IS ARCHIVED ON MAGNETIC TAPE FOR ECO CHANGES.
 FILE NAME: -

UNLESS OTHERWISE SPECIFIED DIMENSIONS IN INCHES		TITLE	
-TOLERANCE-		ROSEMOUNT INC. CHANNASSEN, MINNESOTA	
DECIMALS	FRACTIONS	DR. JOHN ARSTRONG	04/17/00
.X ± .1	±1/32	APP. D. P. SUNDET	4/18/00
.XX ± .02	ANGLES	APP. D.	
.XXX ± .010	±2°	APP. D.	
DO NOT SCALE PRINT		APP. D.	SPECIALS
		SIZE	FSCM NO.
		A	04274
		SCALE: NONE	WT.
		DRAWING NO.	00305-3010
		SHEET	1 OF 4

MODEL 305RC FIVE-VALVE COPLANAR STYLE MANIFOLD



ROSEMOUNT INC.
MINNEAPOLIS, MINN.

THIS DRAWING WAS CREATED ON CAD.
VELLUM MASTER IS NOT TO BE CHANGED.
DRAWING IS ARCHIVED ON MAGNETIC TAPE
FOR ECO CHANGES.
FILE NAME:
SIZE | FSCM.NO. | DRAWING NO. |
A | 04274 | 00305-3010
SCALE: | WT. | SHEET 2 OF 4

TABLE 1 MODEL 305RC COPLANAR STYLE INTEGRAL MANIFOLDS

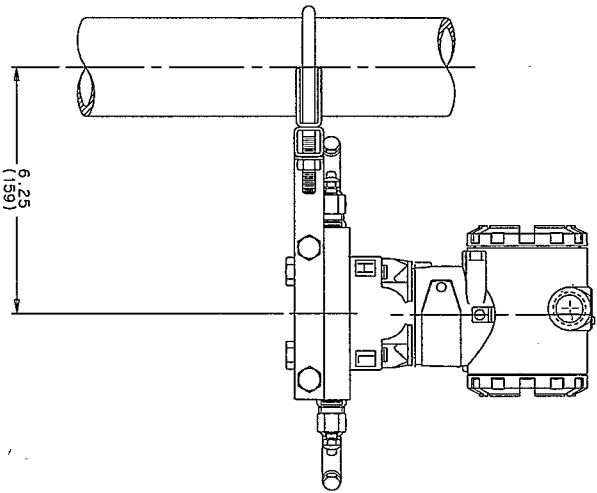
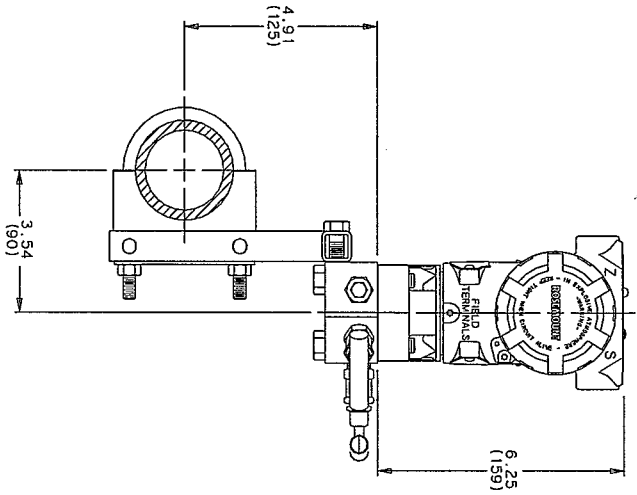
MODEL	INTEGRAL MANIFOLD			
0305				
CODE	MANUFACTURER			
R	ROSEMOUNT INC.			
CODE	MANIFOLD STYLE			
C	COPLANAR			
CODE	MANIFOLD TYPE			
2	2-VALVE			
3	3-VALVE			
5	5-VALVE			
CODE	BODY	BONNET	STEM	DRAIN/VENT
2	316 SST	316 SST	316 SST	316 SST
3	HASTELLOY C	HAST. C	HASTELLOY C	HASTELLOY C
4	MONEL	MONEL	MONEL	MONEL
CODE	PROCESS CONNECTION			
B	1/2-14 NPT			
CODE	PACKING MATERIAL			
1	TEFLON			
2	GRAPHITE-BASED			
CODE	VALVE SEAT			
1	INTEGRAL			
CODE	OPTIONS			
B4	SST BRACKET FOR 2-IN. PIPE MOUNT			
L4	AUSTENITIC 316 SST BOLTS			
L5	ASTM-A-193-B7M BOLTS			
P2	CLEANING FOR SPECIAL SERVICES (NOT AVAILABLE WITH GRAPHITE BASED PACKING)			
SG(1)	MATERIALS OF CONSTRUCTION TO MEET NACE MATERIAL RECOMMENDATIONS PER MR 01-75			

(1) 316 SST BODY, BONNET, AND STEMS: MONEL DRAIN VENTS

ROSEMOUNT INC.
MINNEAPOLIS, MINN.

THIS DRAWING WAS CREATED ON CAD.
VELLUM MASTER IS NOT TO BE CHANGED.
DRAWING IS ARCHIVED ON MAGNETIC TAPE
FOR ECO CHANGES.
FILE NAME: _____
SIZE: A FSCM, NO. 04274 DRAWING NO. 00305-3010
SCALE: _____ WT. _____ SHEET 3 OF 4

OPTION CODE B4
BRACKET FOR 2-IN. PIPE MOUNTING



ROSEMOUNT[®] INC.
MINNEAPOLIS, MINN.

THIS DRAWING WAS CREATED ON CAD.
VELLUM MASTER IS NOT TO BE CHANGED.
DRAWING IS ARCHIVED ON MAGNETIC TAPE
FOR ECO CHANGES.

FILE NAME:
 SIZE: A
 FSCM. NO.: 04274
 DRAWING NO.: 00305-3011

SCALE: WT. SHEET 4 OF 4

DR
ISSUE