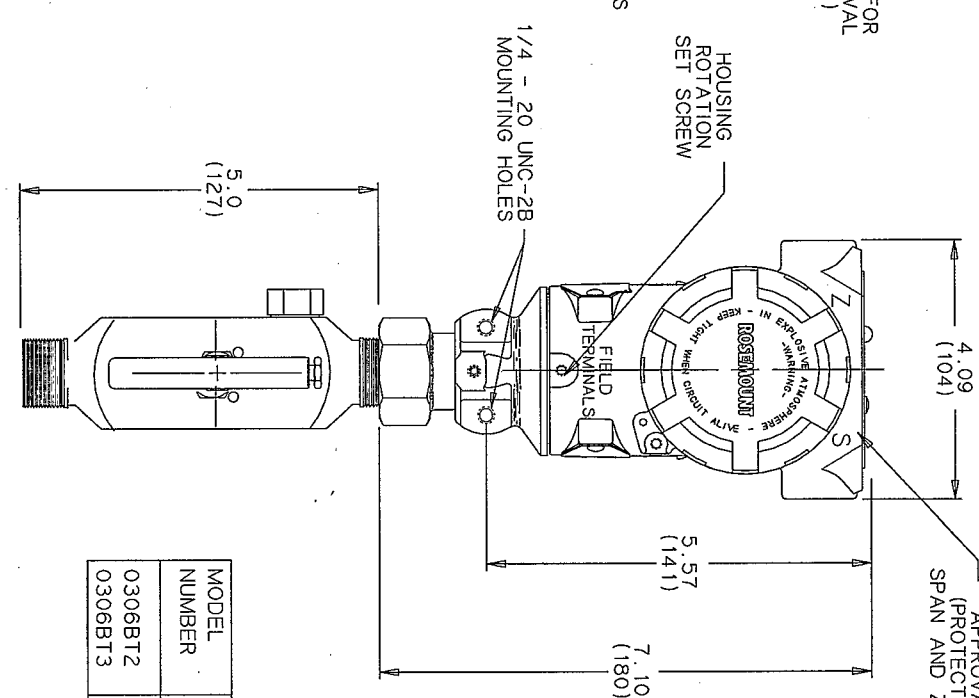
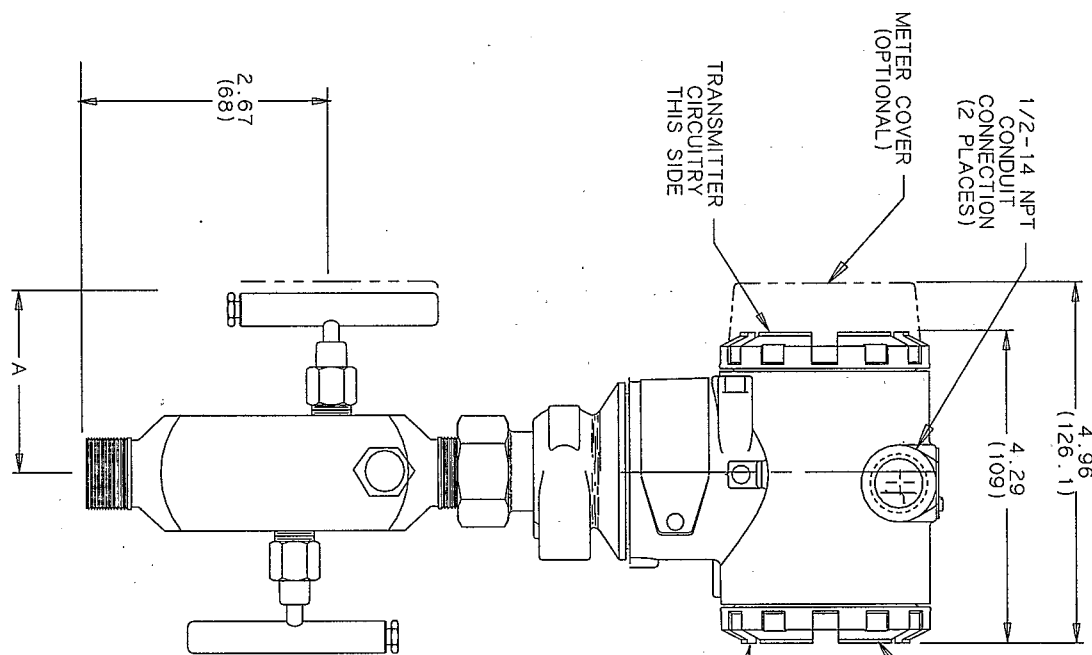


REVISIONS			
REV	DESCRIPTION	CHG. NO.	APP. D. DATE
AA	ASSIGN NUMBERS TO DRAWINGS	RTC1008232	<i>RS</i> 01/07/08



MODEL NUMBER	DIMENSION A
0306BT2	2.5 (63.5)
0306BT3	3.5 (89.0)

THIS DRAWING WAS CREATED ON CAD. VELLUM MASTER IS NOT TO BE CHANGED. DRAWING IS ARCHIVED ON MAGNETIC TAPE FOR ECO CHANGES.
 FILE NAME: _

UNLESS OTHERWISE SPECIFIED DIMENSIONS IN INCHES
 -TOLERANCE-
 DECIMALS FRACTIONS
 .X ± .1 ± 1/32
 .XX ± .02 ANGLES
 .XXX ± .010 ± 2°
 DO NOT SCALE PRINT

DR. JOHN ARBUSTING 12/10/04
 DESIGNER
 DRAWING
 APP. D.
 TAGGING
 APP. D.
 SPECIALS

ROSEMOUNT INC. CHANHASSEN, MINNESOTA
 TITLE
 OUTLINE DIMENSIONAL DRAWING FOR
 MODEL 306BT PRESSURE MANIFOLD
 SIZE FSCM. NO. DRAWING NO.
 A 04274 00306-3003
 SCALE: NONE WT. SHEET 1 OF 3

- ROSEMOUNT INC. CERTIFIES THESE DRAWINGS ARE IN ACCORDANCE WITH ROSEMOUNT ENG. SPECIFICATIONS AND ACCURATELY REPRESENT THE EQUIPMENT FURNISHED.
- ROTATE APPROVALS LABEL FOR ZERO AND SPAN ADJUST. FOR MODEL NUMBER SELECTION. SEE TABLE 1
- DIMENSIONS SHOWN IN PARENTHESES ARE IN MILLIMETERS.

NOTES:

TABLE 1

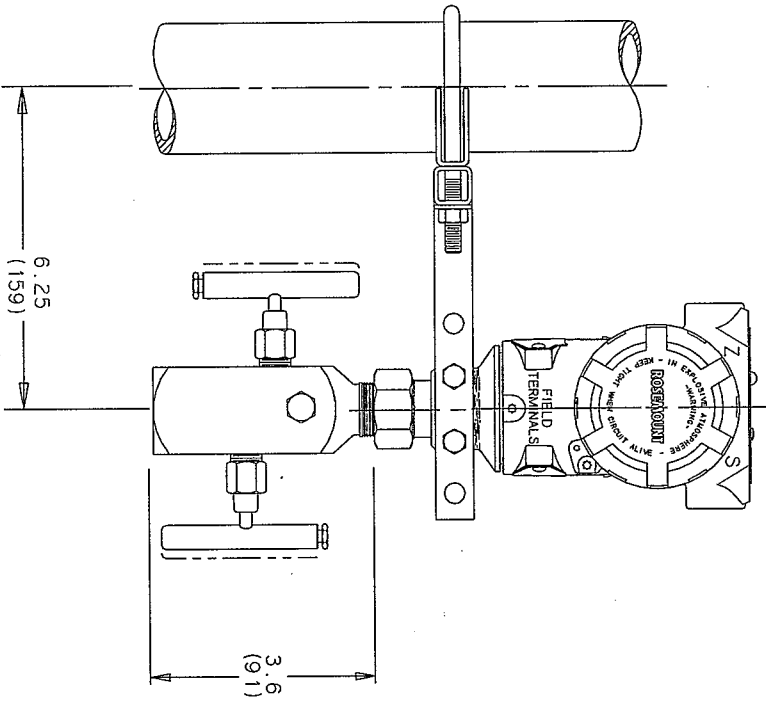
MODEL	PRESSURE MANIFOLD		
0306	MANUFACTURER		
CODE	PGI INTERNATIONAL		
B	MANIFOLD STYLE		
CODE	THREADED PRESSURE MANIFOLD		
T	MANIFOLD TYPE		
CODE	2-VALVE		
2	2-VALVE (PER ANSI B31.1 POWER AND PIPING CODE)		
3(2)	2-VALVE PGI BRACKET MOUNT		
4	2-VALVE (ANSI B31.1), PGI BRACKET MOUNT		
5(2)			
CODE	MATERIAL OF CONSTRUCTION		
1	BODY	BONNET	STEM
(1)2	CS	CS	CS
2	316 SST	316 SST	316 SST
CODE	PROCESS CONNECTION		
AA	1/2-14 MALE NPT		
BA	1/2-14 FEMALE NPT		
BB(4)	1/2-14 FEMALE NPT-SIDE ENTRY		
CODE	PACKING MATERIAL		
1(3)	TEFLON		
2(2)	GRAFOIL		
CODE	VALVE SEAT		
1	INTEGRAL (316 SST)		
CODE	OPTIONS		
P2(3)	CLEANING FOR SPECIAL SERVICES (NOT AVAILABLE WITH GRAFOIL PACKING)		
VS(4)	PGI HEAVY DUTY VERSA-MOUNT BRACKET, SST		
VC(4)	PGI HEAVY DUTY VERSA-MOUNT BRACKET, CS		

- (1) MEETS NACE MATERIAL RECOMMENDATIONS PER MR-01-75
- (2) MAXIMUM PRESSURE RATING 6000 PSIG (41.37 KPa)
- (3) NOT AVAILABLE WITH ANSI B31.1 2-VALVE MANIFOLD TYPE.
- (4) AVAILABLE WITH TYPE 4 OR 5 MANIFOLD ONLY.

ROSEMOUNT[®] INC.
MINNEAPOLIS, MINN.

THIS DRAWING WAS CREATED ON CAD.
VELLUM MASTER IS NOT TO BE CHANGED.
DRAWING IS ARCHIVED ON MAGNETIC TAPE
FOR ECO CHANGES.
FILE NAME:
SIZE FSCM. NO. DRAWING NO. 00306-3003
A 04274
SCALE: WT. SHEET 2 OF 3

RECOMMENDED INSTALLATIONS FOR MODEL 3051T AND 2088 SMART TRANSMITTERS FOR 2-IN. PIPE MOUNTING



ROSEMOUNT[®] INC.
MINNEAPOLIS, MINN.

THIS DRAWING WAS CREATED ON CAD.
VELLUM MASTER IS NOT TO BE CHANGED
DRAWING IS ARCHIVED ON MAGNETIC TAPE
FOR ECO CHANGES.

DR
ISSUE

FILE NAME:
SIZE A
FSCM NO. 04274
SCALE: WT.

DRAWING NO. 00306-3003
SHEET 3 OF 3