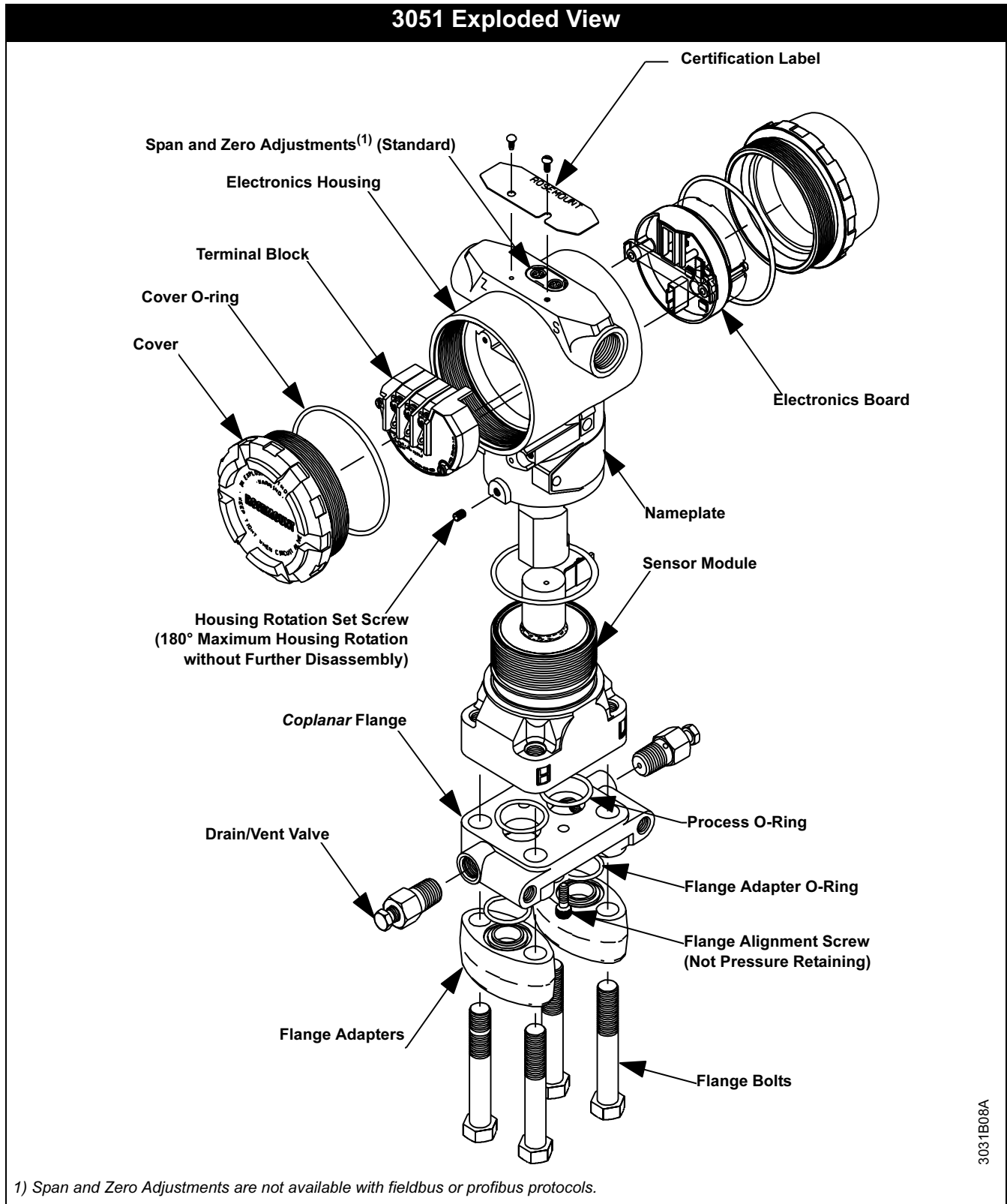
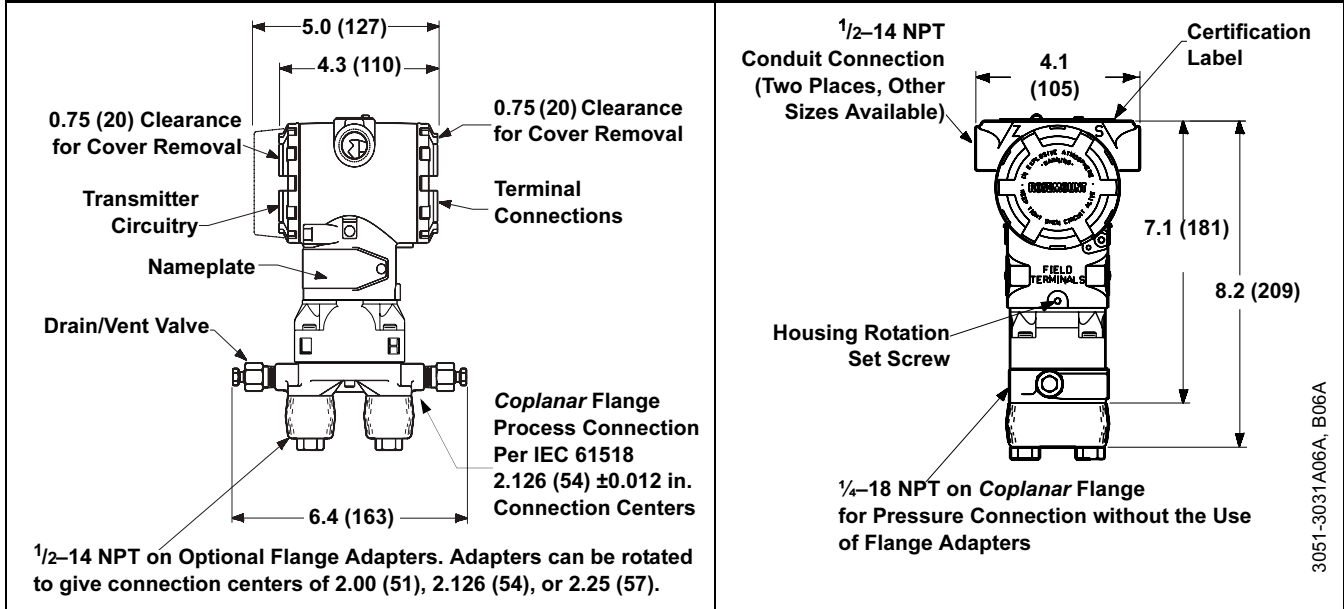


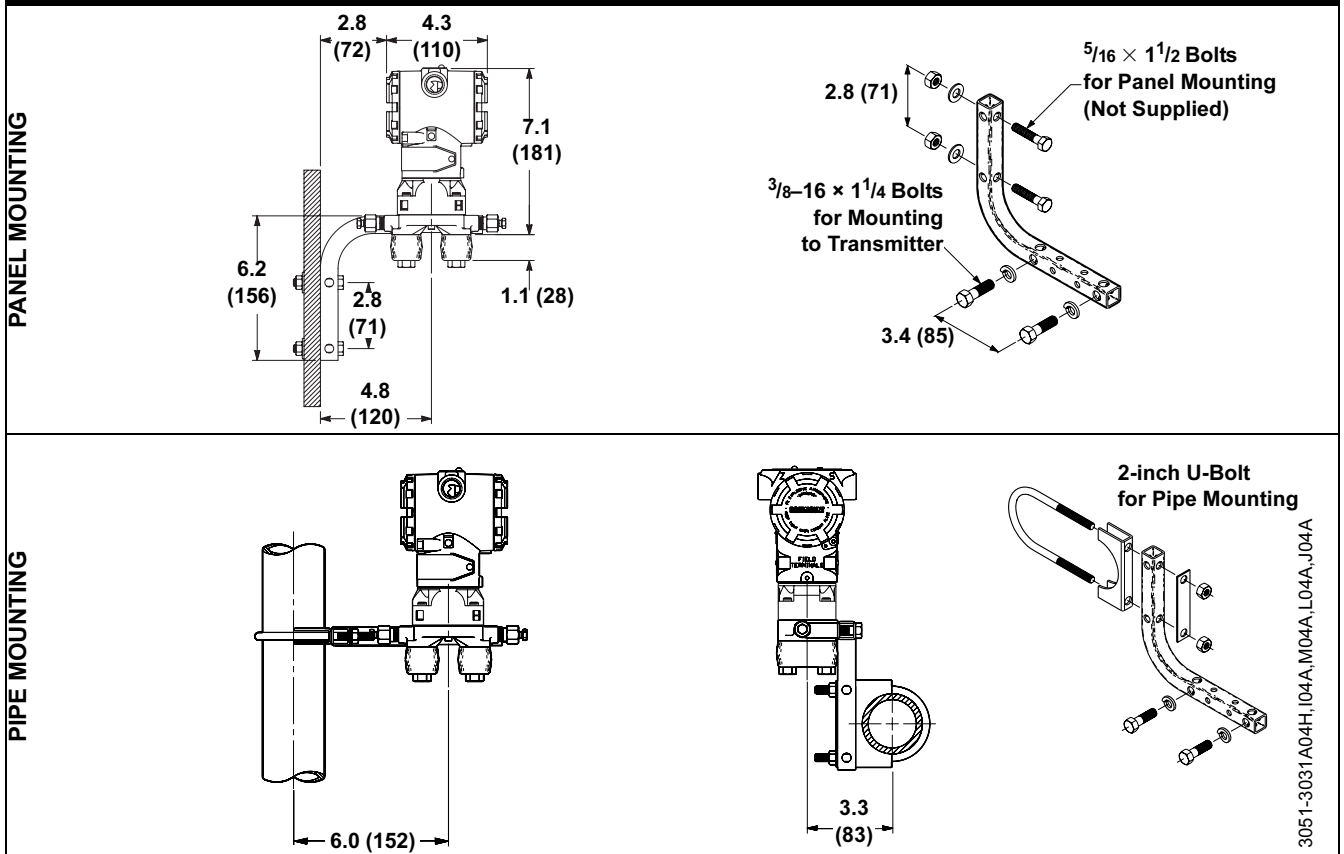
Dimensional Drawings



**3051C Coplanar Flange Dimensional Drawing
 (Differential Pressure Transmitter Shown)**



**Coplanar Flange Mounting Configurations with
 Optional Bracket (B4) for 2-in. Pipe or Panel Mounting**

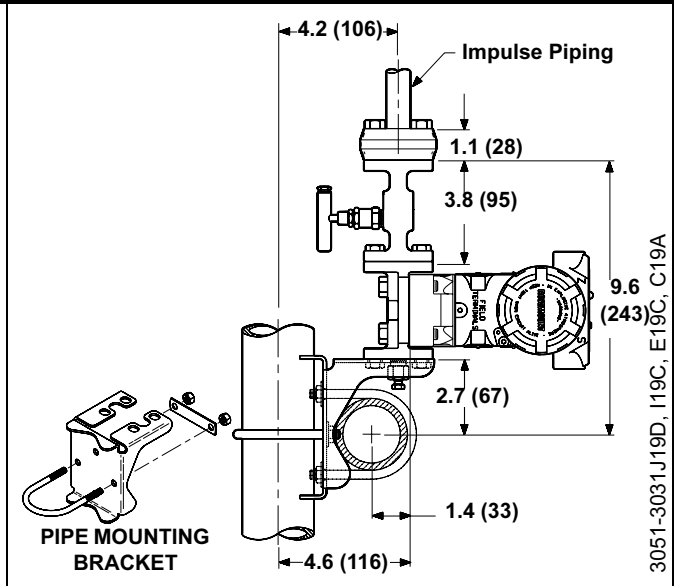
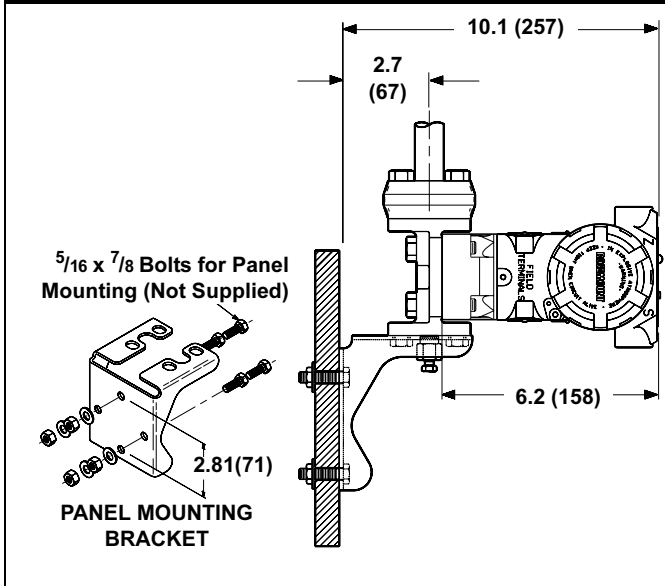


Dimensions are in inches (millimeters)

Traditional Flange Mounting Configurations with Optional Brackets for 2-in. Pipe or Panel Mounting

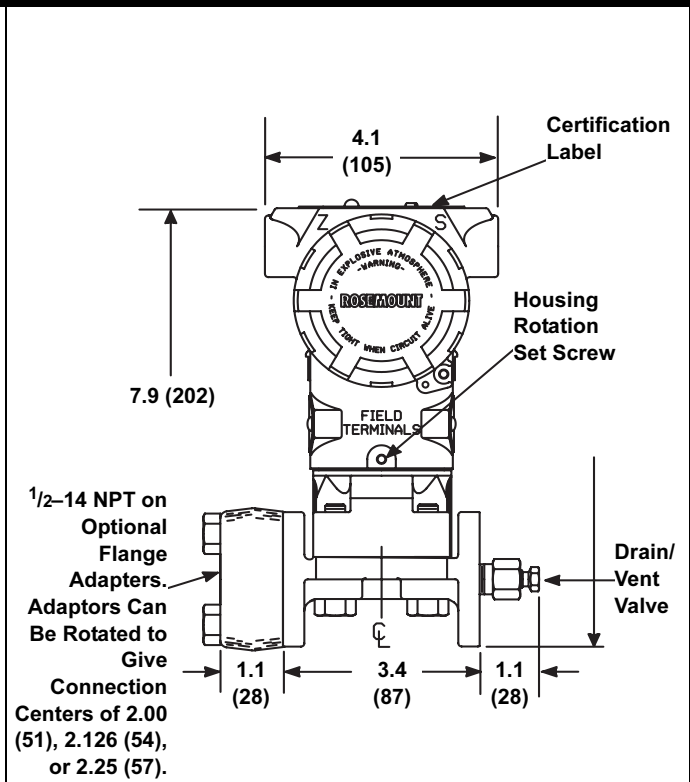
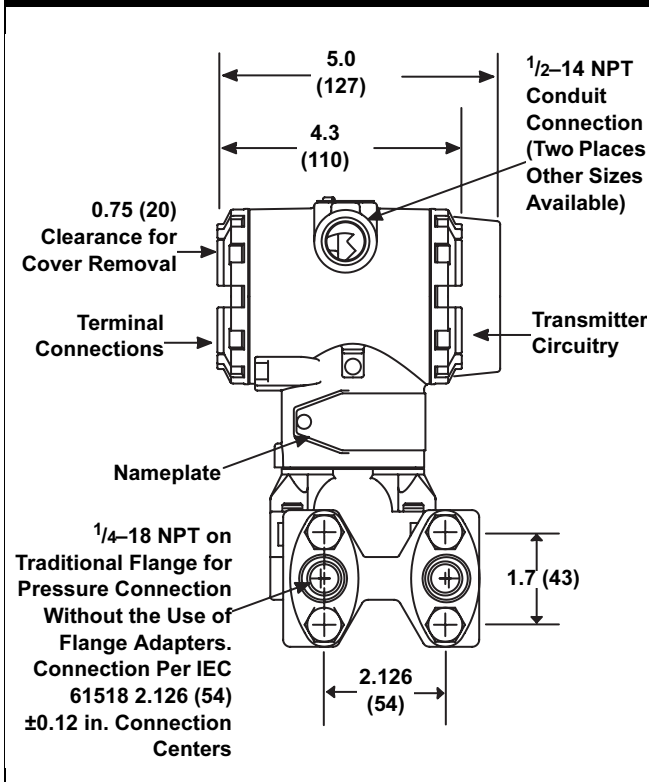
Traditional Flange Panel Mounting Bracket (option B2/B8)

Traditional Flange 2-in. Pipe Mounting Bracket (option B1/B7/BA)



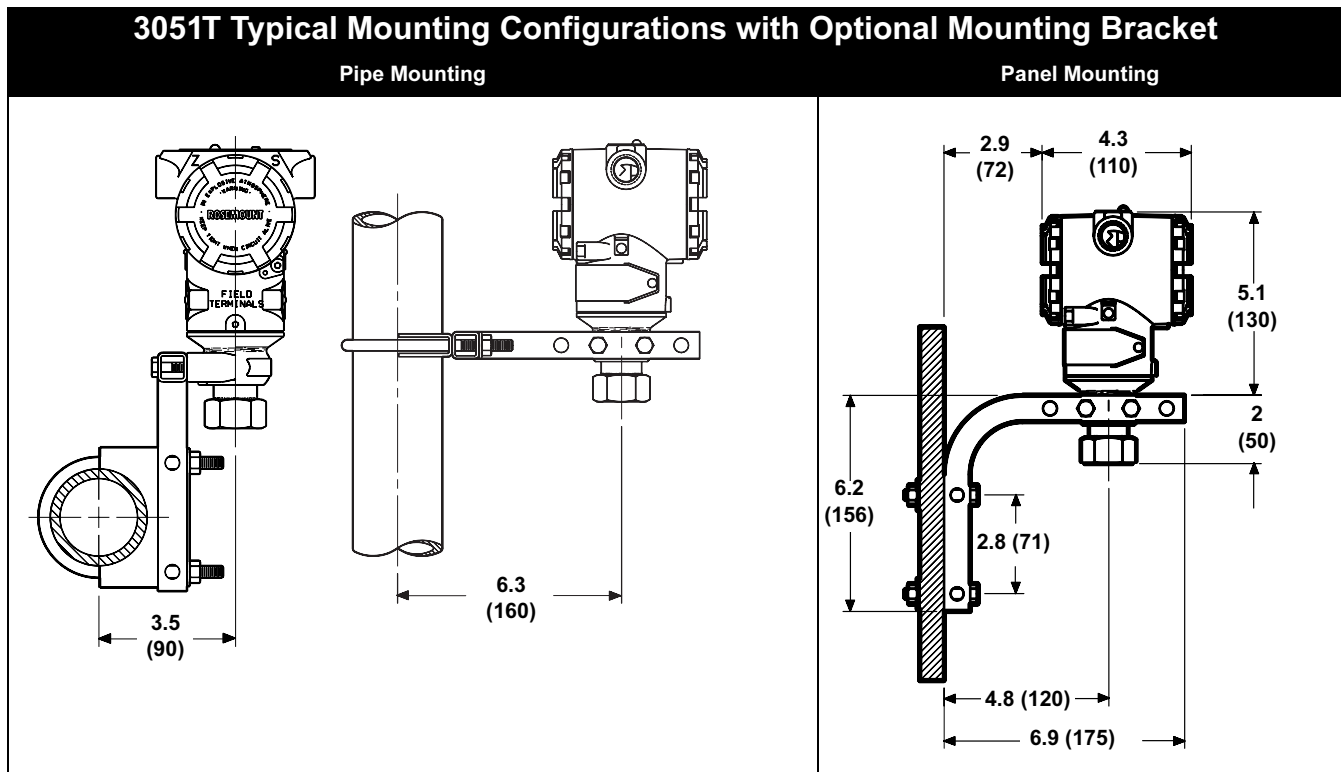
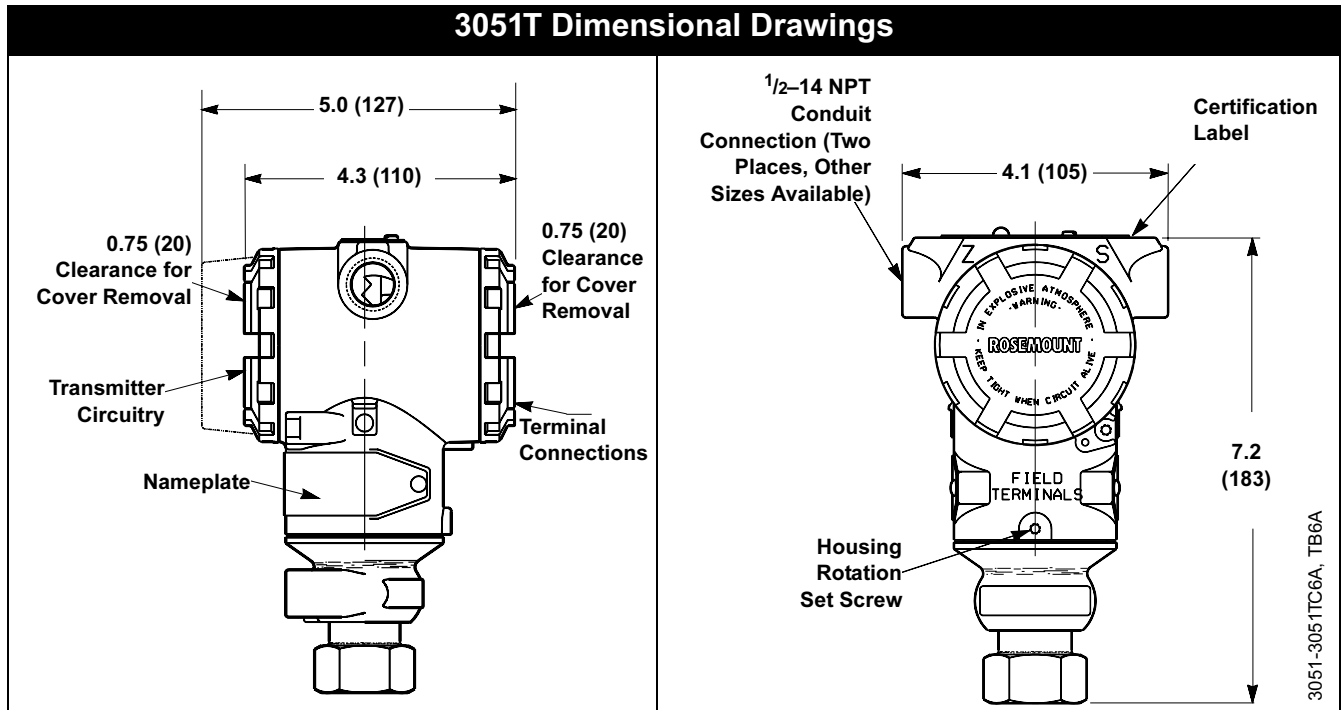
3051-3031J19D, I19C, E19C, C19A

Traditional Flange (Options H2-H7) Dimensional Drawing



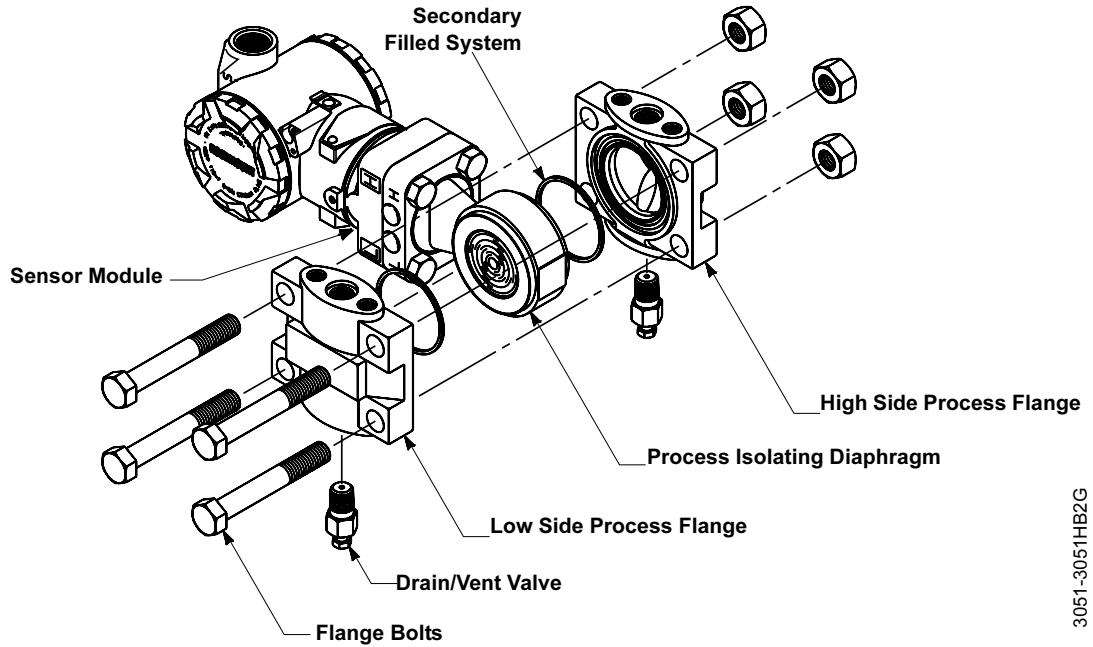
3051-3031E30A, D30B

Dimensions are in inches (millimeters)

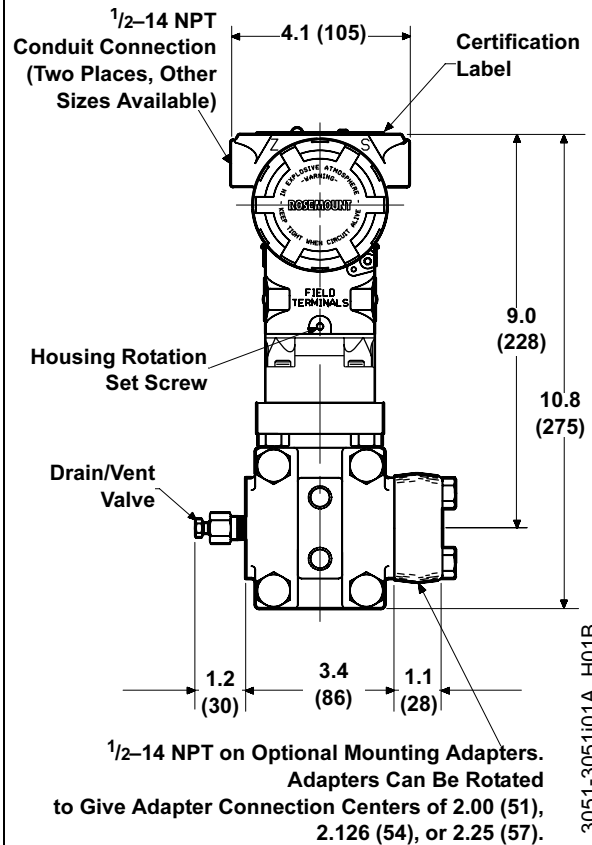
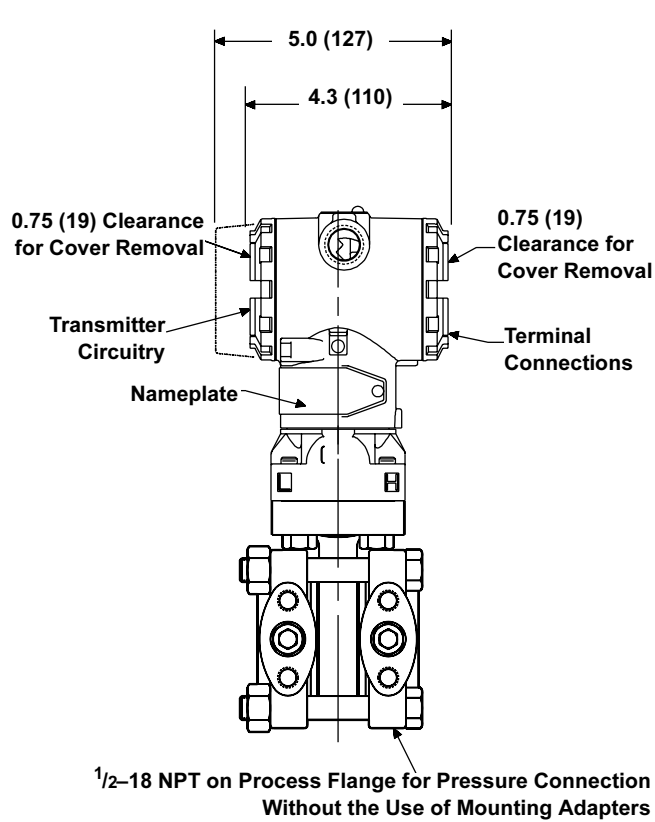


Dimensions are in inches (millimeters)

3051H Pressure Transmitter Exploded View and Dimensional Drawings



3051-3051HB2G

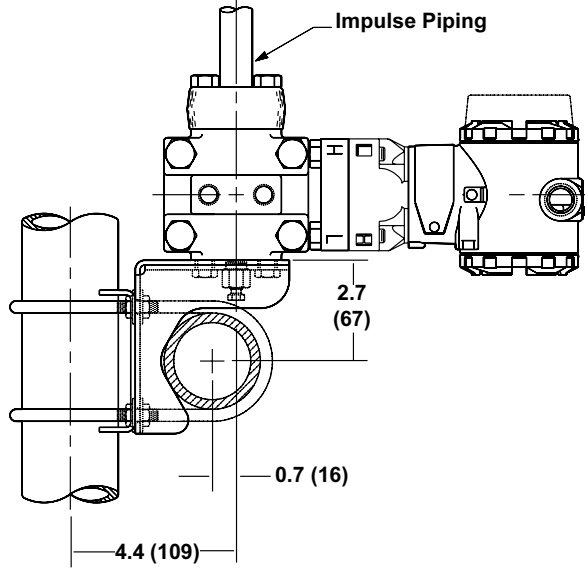
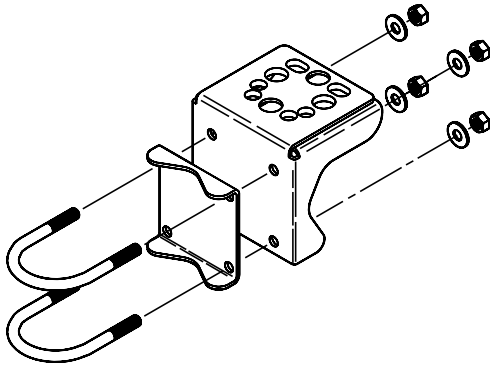


3051-3051101A, H01B, 3051-30511A4A, TB4A, TC4A

Dimensions are in inches (millimeters)

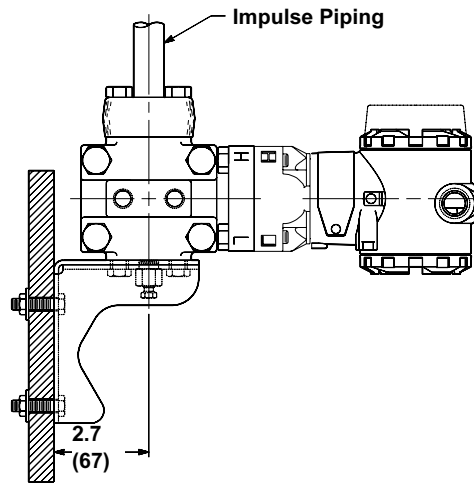
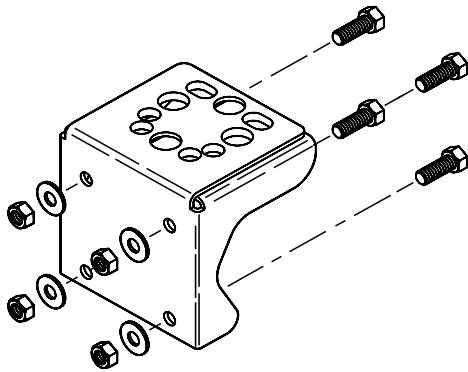
3051H Mounting Brackets for 2-in. Pipe and Panel Mount (Option Code B5/B6)

PIPE MOUNTING CONFIGURATION



PANEL MOUNTING CONFIGURATION

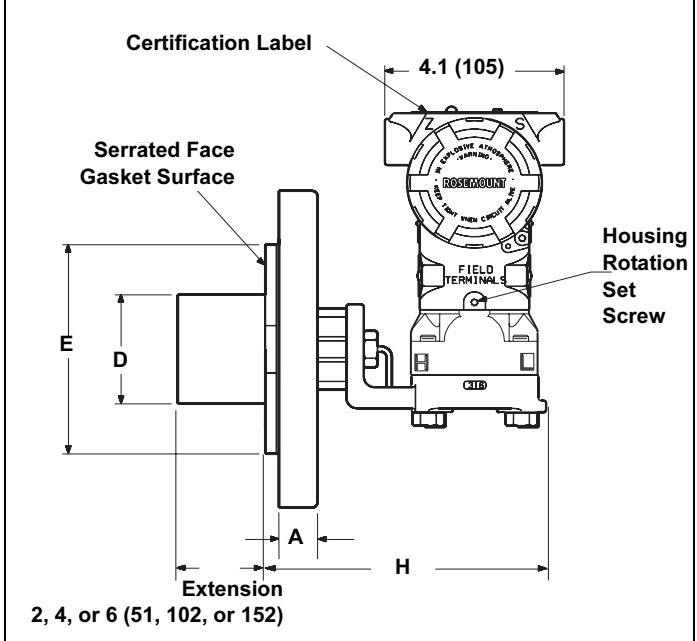
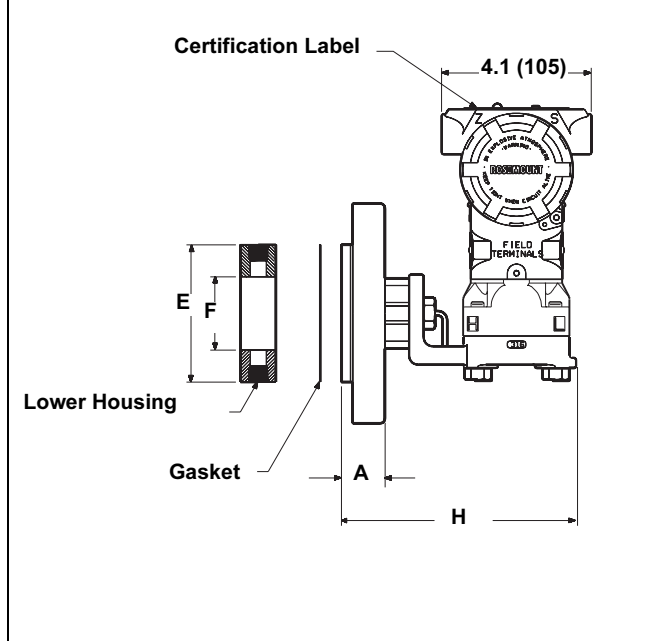
$\frac{7}{16}$ - $20 \times \frac{3}{4}$ Bolts Supplied for Attaching Bracket to Transmitter



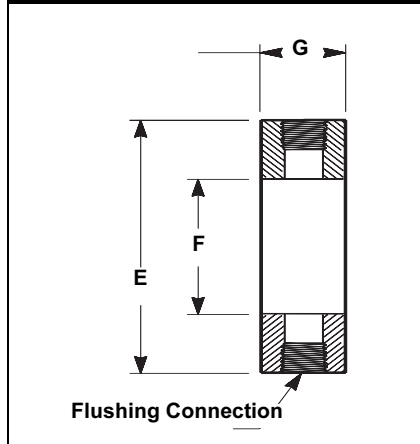
3051-3031G19A, F19B, 3051HB3A, HA3B

Dimensions are in inches (millimeters)

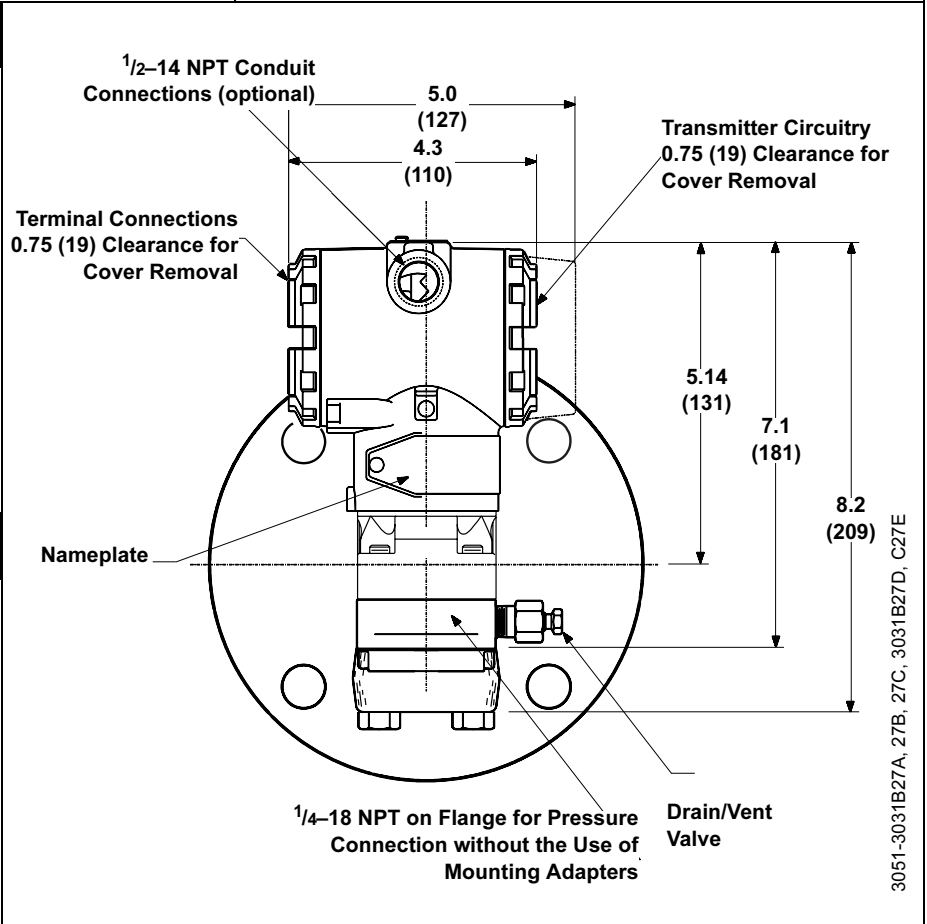
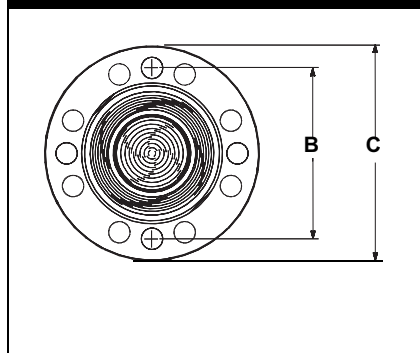
3051L Dimensional Drawings



Optional Flushing Connection Ring (Lower Housing)



Diaphragm Assembly and Mounting Flange



Dimensions are in inches (millimeters)

TABLE 10. 3051L Dimensional Specifications
Except where indicated, dimensions are in inches (millimeters).

Class	Pipe Size	Flange Thickness A	Bolt Circle Diameter B	Outside Diameter C	No. of Bolts	Bolt Hole Diameter	Extension Diameter ⁽¹⁾ D	O.D. Gasket Surface E
ASME B16.5 (ANSI) 150	2 (51)	0.69 (18)	4.75 (121)	6.0 (152)	4	0.75 (19)	NA	3.6 (92)
	3 (76)	0.88 (22)	6.0 (152)	7.5 (191)	4	0.75 (19)	2.58 (66)	5.0 (127)
	4 (102)	0.88 (22)	7.5 (191)	9.0 (229)	8	0.75 (19)	3.5 (89)	6.2 (158)
ASME B16.5 (ANSI) 300	2 (51)	0.82 (21)	5.0 (127)	6.5 (165)	8	0.75 (19)	NA	3.6 (92)
	3 (76)	1.06 (27)	6.62 (168)	8.25 (210)	8	0.88 (22)	2.58 (66)	5.0 (127)
	4 (102)	1.19 (30)	7.88 (200)	10.0 (254)	8	0.88 (22)	3.5 (89)	6.2 (158)
ASME B16.5 (ANSI) 600	2 (51)	1.00 (25)	5.0 (127)	6.5 (165)	8	0.75 (19)	NA	3.6 (92)
	3 (76)	1.25 (32)	6.62 (168)	8.25 (210)	8	0.88 (22)	2.58 (66)	5.0 (127)
DIN 2501 PN 10–40	DN 50	20 mm	125 mm	165 mm	4	18 mm	NA	4.0 (102)
DIN 2501 PN 25/40	DN 80	24 mm	160 mm	200 mm	8	18 mm	65 mm	5.4 (138)
	DN 100	24 mm	190 mm	235 mm	8	22 mm	89 mm	6.2 (158)
DIN 2501 PN 10/16	DN 100	20 mm	180 mm	220 mm	8	18 mm	89 mm	6.2 (158)

Class	Pipe Size	Process Side F	Lower Housing G		H
			1/4 NPT	1/2 NPT	
ASME B16.5 (ANSI) 150	2 (51)	2.12 (54)	0.97 (25)	1.31 (33)	6.66 (169)
	3 (76)	3.6 (91)	0.97 (25)	1.31 (33)	6.66 (169)
	4 (102)	3.6 (91)	0.97 (25)	1.31 (33)	6.66 (169)
ASME B16.5 (ANSI) 300	2 (51)	2.12 (54)	0.97 (25)	1.31 (33)	6.66 (169)
	3 (76)	3.6 (91)	0.97 (25)	1.31 (33)	6.66 (169)
	4 (102)	3.6 (91)	0.97 (25)	1.31 (33)	6.66 (169)
ASME B16.5 (ANSI) 600	2 (51)	2.12 (54)	0.97 (25)	1.31 (33)	8.66 (219)
	3 (76)	3.6 (91)	0.97 (25)	1.31 (33)	8.66 (219)
DIN 2501 PN 10–40	DN 50	2.4 (61)	0.97 (25)	1.31 (33)	6.66 (169)
DIN 2501 PN 25/40	DN 80	3.6 (91)	0.97 (25)	1.31 (33)	6.66 (169)
	DN 100	3.6 (91)	0.97 (25)	1.31 (33)	6.66 (169)
DIN 2501 PN 10/16	DN 100	3.6 (91)	0.97 (25)	1.31 (33)	6.66 (169)

(1) Tolerances are 0.040 (1.02), -0.020 (0.51).