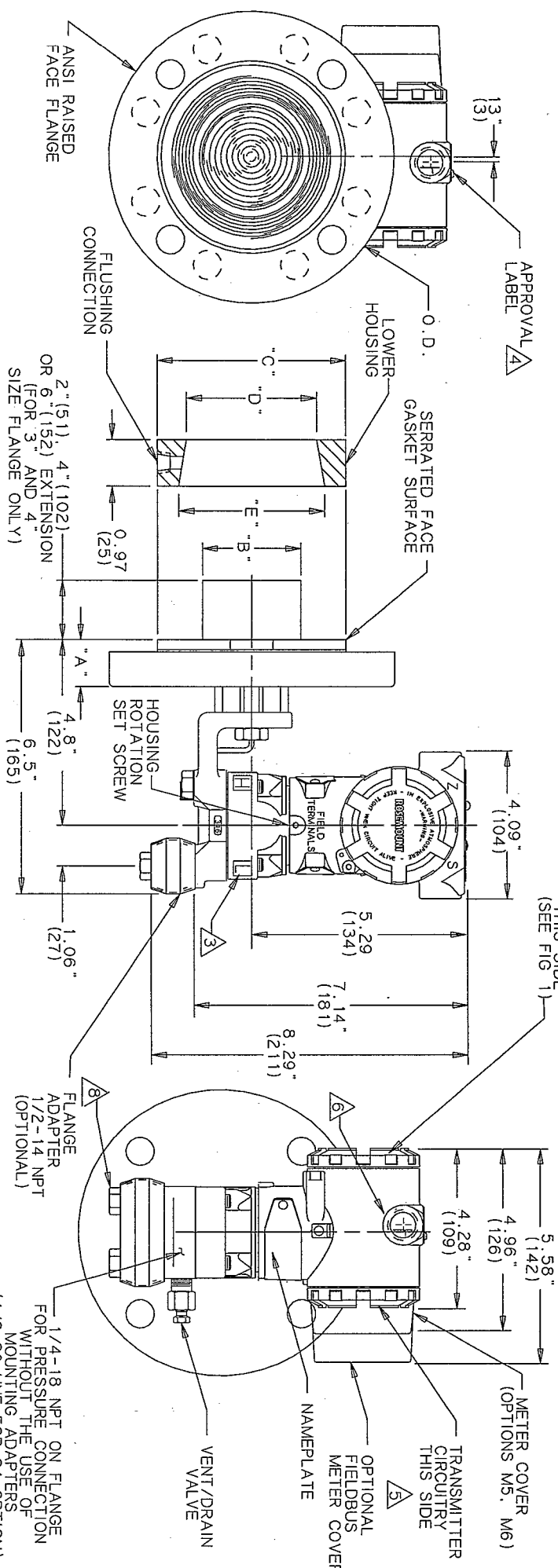


REVISIONS			
REV	DESCRIPTION	CHG. NO.	DATE
B	ADD LOWER HOUSING	646318	<i>WJ</i> <i>10/21/99</i>



FLANGE DIMENSIONS											
ORDERING CODE	SIZE	RATING	O.D.	DIM. "A"	DIA. "B"	DIA. "C"	NO.	DIA.	HOLE DIA.	LOWER HOUSING DIA. "D"	DIA. "E"
A/F	3"	150#	7-1/2"	1-3/16"	2.58"	5"	4	3/4"	6"	3.11"	3.11"
B/G	4"	150#	9"	1-3/16"	3.50"	5"	8	3/4"	7-1/2"	4.06"	4.06"
C/H	3"	300#	8-1/4"	1-3/8"	2.58"	5"	8	7/8"	6-5/8"	3.11"	3.11"
D/J	4"	300#	10"	1-1/2"	3.50"	6-3/16"	8	7/8"	7-7/8"	4.06"	4.06"
E/L	3"	600#	8-1/4"	1-1/2"	2.58"	5"	8	7/8"	6-5/8"	3.11"	3.11"
M/X	2"	150#	6"	1"	NA	3-3/4"	4	3/4"	4-3/4"	2.16"	2.9"
N/Y	2"	300#	6-1/2"	1-1/8"	NA	3-3/4"	8	3/4"	5"	2.16"	2.9"
P/Z	2"	600#	6-1/2"	1-1/4"	NA	3-3/4"	8	3/4"	5"	2.16"	2.9"

- NOTES:
1. DIMENSIONS SHOWN IN PARENTHESES ARE IN MILLIMETERS.
  2. FOR MODEL NUMBER SELECTION, SEE TABLE 1.
  3. LETTERS DENOTE HIGH AND LOW SIDES FOR PRESSURE CONNECTION.
  4. ROTATE APPROVALS LABEL FOR ZERO AND SPAN ADJUST.
  5. .75" (19) CLEARANCE DIMENSION REQUIRED FOR COVER REMOVAL.
  6. 1/2-14 NPT UNLESS STAMPED CM20 OR PG 13.5.
  7. WEIGHT 12.9 lbs (5.86 kg) EXCLUDING OPTIONS.
  8. TORQUE BOLTS TO 650in. lbs ±50in. lbs (67.2 NM ±5.6 NM) FOR CARBON STEEL. 300in. lbs ±50in. lbs (33.6 NM ±5.6 NM) FOR SST.
  9. MAXIMUM WORKING PRESSURE OF 3626 PSIG (25.0 MPa) OR FLANGE RATING PER ANSI B16.5, WHICHEVER IS LESS.

UNLESS OTHERWISE SPECIFIED DIMENSIONS IN INCHES

-TOLERANCE-

DECIMALS	FRACTIONS
X ± .1	±1/32
XX ± .02	ANGLES
.XXX ± .010	±2°

DO NOT SCALE PRINT

DR. DR. M. WESTPHAL	9/17/93	TITLE	ROSEMOUNT® INC. CHANNAKSEN, MINNESOTA
APP'D.		OUTLINE INSTALLATION DRAWING FOR	
CHK'D.		MODEL 3051L PRESSURE TRANSMITTER	
APP'D.		SIZE	ES&M NO. 03031-1030
TAGGING		SCALE: NONE	WT.
APP'D.		SHEET	1 OF 18

TABLE 1

MODEL 3051L		3051 LIQUID LEVEL TRANSMITTER									
CODE		RANGE									
A		0-8.3 TO 0-250 IN H <sub>2</sub> O (0-2.07 TO 0-62.2 kPa)									
B		0-33.3 TO 0-1000 IN H <sub>2</sub> O (0-8.28 TO 0-248 kPa)									
C		0-30 TO 0-300 PSIG (0-0.21 TO 0-2.07 MPa) (DEPENDENT ON FLANGE RATING)									
CODE		OUTPUT									
A		4-20 mA WITH DIGITAL SIGNAL BASED ON HART PROTOCOL									
B		LOW POWER, 1-5 V DC WITH DIGITAL SIGNAL BASED ON HART PROTOCOL (SEE OPTION CODE C2)									
HIGH PRESSURE SIDE											
CODE	DIAPHRAGM SIZE	DIAPHRAGM MATERIAL	EXTENSION LENGTH								
A0	3"/DN 80	316L SST	FLUSH MOUNT								
A2	3"/DN 80	316L SST	2"/50 mm								
A4	3"/DN 80	316L SST	4"/100 mm								
A6	3"/DN 80	316L SST	6"/150 mm								
B0	4"/DN 100	316L SST	FLUSH MOUNT								
B2	4"/DN 100	316L SST	2"/50 mm								
B4	4"/DN 100	316L SST	4"/100 mm								
B6	4"/DN 100	316L SST	6"/150 mm								
C0	3"/DN 80	HASTELLOY	FLUSH MOUNT								
C2	3"/DN 80	HASTELLOY	2"/50 mm								
C4	3"/DN 80	HASTELLOY	4"/100 mm								
C6	3"/DN 80	HASTELLOY	6"/150 mm								
D0	4"/DN 100	HASTELLOY	FLUSH MOUNT								
D2	4"/DN 100	HASTELLOY	2"/50 mm								
D4	4"/DN 100	HASTELLOY	4"/100 mm								
D6	4"/DN 100	HASTELLOY	6"/150 mm								
E0	3"/DN 80	TANTALUM	FLUSH MOUNT ONLY								
E2	3"/DN 80	TANTALUM	FLUSH MOUNT ONLY								
E4	3"/DN 80	TANTALUM	FLUSH MOUNT ONLY								
E6	3"/DN 80	TANTALUM	FLUSH MOUNT ONLY								
F0	2"/DN 50	HASTELLOY	FLUSH MOUNT ONLY								
F2	2"/DN 50	HASTELLOY	FLUSH MOUNT ONLY								
F4	2"/DN 50	HASTELLOY	FLUSH MOUNT ONLY								
F6	2"/DN 50	HASTELLOY	FLUSH MOUNT ONLY								
F8	2"/DN 50	HASTELLOY	FLUSH MOUNT ONLY								
F0	2"/DN 50	HASTELLOY	FLUSH MOUNT ONLY								
MOUNTING FLANGE											
CODE	SIZE	RATING	MATERIAL	DIAPH. SIZES	CODE	SIZE	RATING	MATERIAL	DIAPH. SIZES		
A	3"	150#	CS	3"/DN 80	J	4"	300#	SST	4"/DN 100		
B	4"	150#	CS	4"/DN 100	L	4"	600#	SST	3"/DN 80		
C	3"	300#	CS	3"/DN 80	M	2"	150#	CS	2"/DN 50		
D	3"	300#	CS	4"/DN 100	N	2"	300#	CS	2"/DN 50		
E	3"	600#	CS	3"/DN 80	P	2"	600#	CS	2"/DN 50		
F	4"	150#	SST	4"/DN 100	Q	2"	150#	SST	2"/DN 50		
G	4"	150#	SST	3"/DN 80	R	2"	300#	SST	2"/DN 50		
H	3"	300#	SST	3"/DN 80	Z	2"	600#	SST	2"/DN 50		
O	DN 50	PN 10-40	CS	2"/DN 50							
R	DN 80	PN 40	CS	3"/DN 80							
S	DN 100	PN 40	CS	4"/DN 100							
T	DN 100	PN 10/16	CS	4"/DN 100							
V	DN 50	PN 10-40	SST	2"/DN 50							
W	DN 80	PN 40	SST	3"/DN 80							
X	DN 100	PN 40	SST	4"/DN 100							
Y	DN 80	PN 40	SST	3"/DN 80							
Z	DN 100	PN 10/16	SST	4"/DN 100							
CODE				PROCESS FILL-HIGH PRESSURE SIDE	TEMPERATURE LIMITS						
A				SVL THERM XLT	-100 TO 300 DEG F. (-73 TO 135 DEG C.)						
C				D. C. SILICONE	60 TO 400 DEG F. (15 TO 205 DEG C.)						
D				D. C. SILICONE	-40 TO 400 DEG F. (-40 TO 205 DEG C.)						
H				INERT (HALOCARBON)	-50 TO 350 DEG F. (-45 TO 172 DEG C.)						
M				GLYCERINE AND WATER	0 TO 200 DEG F. (-17 TO 93 DEG C.)						
N				NEEBEE M-20	0 TO 400 DEG F. (-17 TO 205 DEG C.)						
P				PROPYLENE GLYCOL AND WATER	0 TO 200 DEG F. (-17 TO 93 DEG C.)						
S				SVL THERM	-50 TO 400 DEG F. (-45 TO 205 DEG C.)						
CODE				LOW PRESSURE SIDE		FLANGE/ADAPTOR MATERIAL		DIAPHRAGM MATERIAL		SENSOR FILL FLUID	
11				GAGE	SST		316L SST		SILICONE		
21				DIFFERENTIAL	SST		316L SST		SILICONE		
22				DIFFERENTIAL	SST		HAST C-276		SILICONE		
2B				DIFFERENTIAL	SST		316L SST		INERT (HYDROCARBON)		
31				REMOTE SEAL (REQUIRES OPTION S1)	SST		316L SST		SILICONE		
CODE				O-RING MATERIAL		GLASS-FILLED TFE					
A				GLASS-FILLED TFE		HOUSING MATERIAL		CONDUIT ENTRY SIZE			
A				POLYURATHANE-COVERED ALUMINUM		1/2 14 NPT					
B				POLYURATHANE-COVERED ALUMINUM		CM 20 X 1.5					
D				POLYURATHANE-COVERED ALUMINUM		PG 13.5					
J				316 SST		1/2-14 NPT					
K				316 SST		CM 20 X 1.5					
L				316 SST		PG 13.5					
Axxxx				OPTIONAL CHOICES							
E4				JAPANESE INDUSTRIAL STANDARDS (JIS) FLAMEPROOF CERTIFICATION							
E5				FACTORY MUTUAL (FM) EXPLOSION PROOF APPROVAL							
E8				CENELEC FLAME PROOF (CESI)							
I6				FACTORY MUTUAL (FM) NON-INCENDIVE AND INTRINSIC SAFETY APPROVAL							
C6				CANADIAN STANDARDS ASSOCIATION (CSA) EXPLOSION PROOF, NON-INCENDIVE AND INTRINSIC SAFETY APPROVAL							
N1				BASEEFA/CENELEC INTRINSIC SAFETY CERTIFICATION							
N1				BASEEFA TYPE N CERTIFICATION							
L4				AUSTENITIC 316 SST BOLTS							
L5				ANSI/ASTM-A-193-B7M BOLTS							
J1				LOCAL ZERO ADJUSTMENT ONLY							
J3				NO LOCAL ZERO OR SPAN ADJUSTMENT							
M5				LCD METER FOR ALUMINUM HOUSING (CODES A, B, & C)							
M6				LCD METER FOR SST HOUSING (CODES J, K, & L)							
S1				ASSEMBLY OF ONE REMOTE SEAL							
T1				INTEGRAL TRANSIENT PROTECTION (SEE DETAIL A)							
K5				FACTORY MUTUAL (FM) EXPLOSION-PROOF AND INTRINSIC SAFETY APPROVAL							
K6				COMBINATION OF CSA AND CENELEC EXPLOSION PROOF, INTRINSIC SAFETY APPROVAL							
E7				STANDARDS ASSOCIATION OF AUSTRALIA (SAA) FLAMEPROOF CERTIFICATION							
I7				STANDARDS ASSOCIATION OF AUSTRALIA (SAA) INTINSIC SAFETY CERTIFICATION							
O4				CALIBRATION DATA SHEET							
O8				MATERIAL TRACEABILITY CERTIFICATION PER EN 10204 3.1B							
T1				TRANSIENT PROTECTION TERMINAL BLOCK							
C1				CUSTOM SOFTWARE CONFIGURATION							
C2				0-8.3 2 V DC OUTPUT WITH DIGITAL SIGNAL BASED ON HART PROTOCOL							
D8				CERAMIC BALL DRAIN/VENTS							
F				SEE TABLE 14 FORE AVAILABILITY							
TABLE 14.											
		FLUSHING CONNECTION RING MATERIAL		FLUSHING CONNECTION NO MATERIAL		DIAPHRAGM SIZE					
CODE						2 IN		3 IN		4 IN	
F1		SST		1		1/4		X		X	
F2		SST		2		1/4		X		X	
F3		HASTELLOY		1		1/4		X		X	
F4		HASTELLOY		2		1/4		X		X	
FA		SST		0		-		X		-	
FC		HASTELLOY		0		-		X		-	
F7		SST		1		1/2		X		X	
F8		SST		2		1/2		X		X	
F9		HASTELLOY		1		1/2		X		X	
F0		HASTELLOY		2		1/2		X		X	

DR  
 ISSUE  
 ROSEMOUNT INC.  
 MINNEAPOLIS, MINN.  
 THIS DRAWING WAS CREATED ON CAD.  
 PLENUM MASTER IS NOT TO BE CHANGED.  
 FOR ECO CHANGES.  
 FILE NAME:  
 SIZE FSCM NO. DRAWING NO. 03031-1030  
 A 04274  
 SCALE: WT. SHEET 2 OF 18

STANDARD  
WIRING CONNECTION

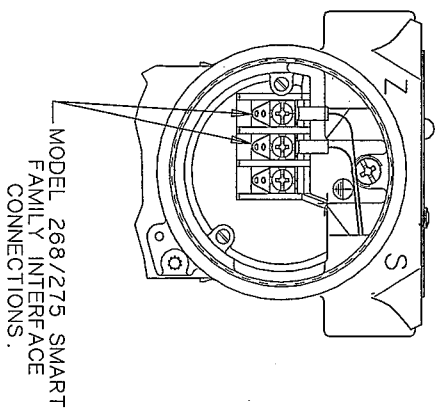


FIGURE 1

TRANSIENT PROTECTION  
WIRING CONNECTION  
(OPTION T 1)

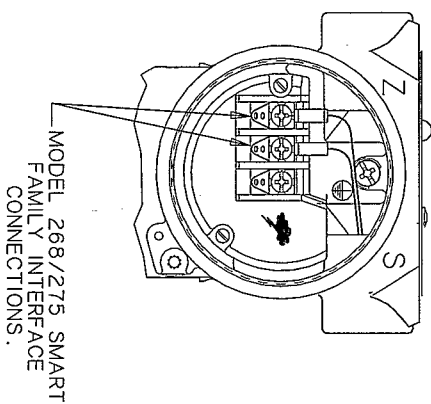


FIGURE 2

LOW POWER  
WIRING CONNECTION  
(OUTPUT CODE M OR  
OPTION CODE C2)

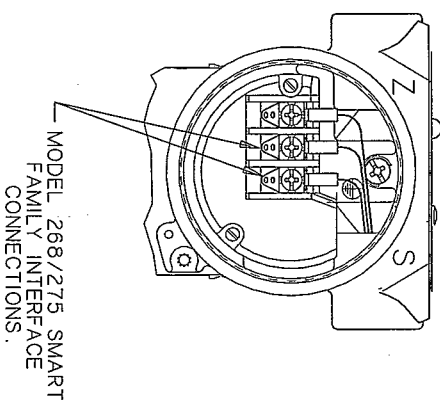


FIGURE 3

ROSEMOUNT INC.  
MINNEAPOLIS, MINN.  
DR  
ISSUE

THIS DRAWING WAS CREATED ON CAD  
VELLUM MASTER IS NOT TO BE CHANGED.  
DRAWING IS ARCHIVED ON MAGNETIC TAPE  
FOR ECO CHANGES.  
FILE NAME:  
SIZE ESCH. NO. DRAWING NO. 03031-1030  
A 04274  
SCALE: WT. SHEET 3 OF 18

FIELDBUS  
WIRING CONNECTION

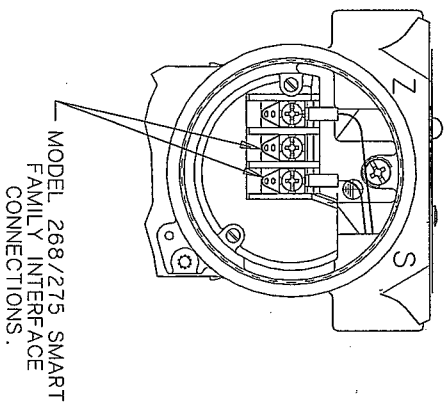


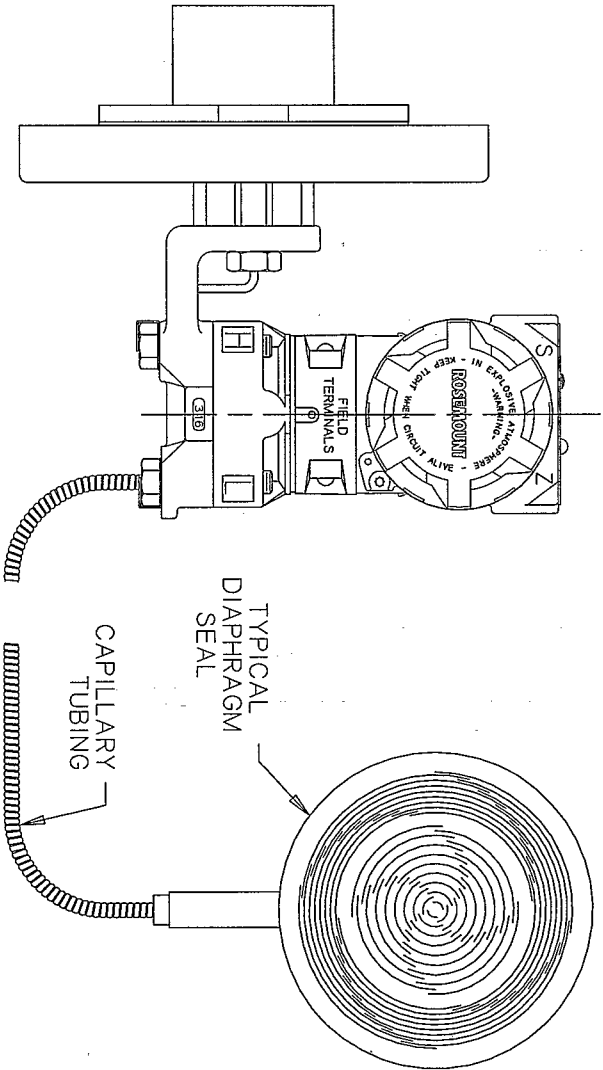
FIGURE 10

**ROSEMOUNT** INC.  
MINNEAPOLIS, MINN.

THIS DRAWING WAS CREATED ON CAD  
VELLUM MASTER IS NOT TO BE CHANGED.  
DRAWING IS ARCHIVED ON MAGNETIC TAPE  
FOR ECO CHANGES.  
FILE NAME:  
SIZE ESCM. NO. DRAWING NO. 03031-1030  
A 04274  
SCALE: WT. SHEET 4 OF 18

DR  
ISSUE

DETAIL "B" - REMOTE SEAL ASSEMBLY (OPTION S1)



NOTES:

11. REMOTE SEAL AND CAPILLARY ARE NOT SHOWN IN AN ACCURATE PICTORIAL MANNER (SEE INDIVIDUAL STYLE FOR DETAILS (ROSEMOUNT SEALS ONLY))
12. FOR REMOTE SEAL AND CAPILLARY TUBING SPECIFICATIONS, SEE TABLE 2.

ROSEMOUNT INC.  
MINNEAPOLIS, MINN.

THIS DRAWING WAS CREATED ON CAD  
VELLUM MASTER IS NOT TO BE CHANGED  
DRAWING IS ARCHIVED ON MAGNETIC TAPE  
FOR ECO CHANGES.

FILE NAME:  
SIZE: A  
FCGM NO.: 04274  
DRAWING NO.: 03031-1030  
SHEET 5 OF 18

DR ISSUE  
SCALE: WT.

TABLE 9

MODEL	TYPE	DIAPHRAGM SEALS	SEAL LOCATION (SELECT ONE)	CAPILLARY/FILL FLUID CONNECTION TYPE	TEMPERATURE LIMITS	SPECIFIC GRAVITY
1199	DIAPHRAGM SEALS					
CODE	SEAL LOCATION (SELECT ONE)					
B	SEAL ON BOTH HIGH AND LOW PRESSURE SIDES OF TRANSMITTER					
H	SEAL ON HIGH PRESSURE SIDE OF TRANSMITTER					
L	SEAL ON LOW PRESSURE SIDE OF TRANSMITTER					
D	SEAL ON BOTH HIGH AND LOW PRESSURE SIDES OF TRANSMITTER					
W	SEAL ON HIGH PRESSURE SIDE OF TRANSMITTER					
M	SEAL ON LOW PRESSURE SIDE OF TRANSMITTER					
CODE	FILL FLUID (SELECT ONE)					
A	SVL THERM XL T					
C	D. C. 704 (N/A WITH 0.028 INCH ID CAPILLARY)					
D	D. C. 200					
G	GLYCERIN AND WATER					
H	INERT (HALOCARBON)					
H	NEOBEE M20					
P	PROPYLENE GLYCOL AND WATER					
CODE	SEAL CONNECTION TYPE (SELECT ONE)					
	CAPILLARY I.D.					
	MATERIAL					
B	0.028	316 SST ARMORED SLEEVING				0.85
C	0.043	316 SST ARMORED SLEEVING				1.07
D	0.069	316 SST ARMORED SLEEVING				0.934
E	0.028	PVC COATING ON 316 SST ARMORED SLEEVING				1.13
F	0.043	PVC COATING ON 316 SST ARMORED SLEEVING				1.85
G	0.069	PVC COATING ON 316 SST ARMORED SLEEVING				0.917
H	0.028	316 ARMORED SLEEVING, SUPPORT TUBE				
J	0.043	316 ARMORED SLEEVING, SUPPORT TUBE				
K	0.069	316 ARMORED SLEEVING, SUPPORT TUBE				
M	0.028	PVC COATED 316 ARMORED SLEEVING, SUPPORT TUBE				
N	0.043	PVC COATED 316 ARMORED SLEEVING, SUPPORT TUBE				
P	0.069	PVC COATED 316 ARMORED SLEEVING, SUPPORT TUBE				
CODE	CONNECTION LENGTH (SELECT ONE)					
01	1 FOOT (0.3 METERS)					
05	5 FEET (1.5 METERS)					
10	10 FEET (3.0 METERS)					
15	15 FEET (4.5 METERS)					
20	20 FEET (6.1 METERS)					
25	25 FEET (7.6 METERS)					
30	30 FEET (9.1 METERS)					
35	35 FEET (10.7 METERS)					
40	40 FEET (12.2 METERS)					
45	45 FEET (13.7 METERS)					
50	50 FEET (15.2 METERS)					
31	0.5 METERS (1.6 FEET)					
32	1.0 METERS (3.3 FEET)					
33	1.5 METERS (4.9 FEET)					
34	2.0 METERS (6.6 FEET)					
35	2.5 METERS (8.2 FEET)					
36	3.0 METERS (9.8 FEET)					
37	3.5 METERS (11.5 FEET)					
38	4.0 METERS (13.1 FEET)					
39	4.5 METERS (14.8 FEET)					
60	3.0 METERS (9.8 FEET)					
61	3.5 METERS (11.5 FEET)					
62	4.0 METERS (13.1 FEET)					
63	4.5 METERS (14.8 FEET)					
64	5.0 METERS (16.4 FEET)					
65	5.5 METERS (18.0 FEET)					
66	6.0 METERS (19.7 FEET)					
67	6.5 METERS (21.3 FEET)					
68	7.0 METERS (23.0 FEET)					
69	7.5 METERS (24.6 FEET)					
70	8.0 METERS (26.2 FEET)					
71	8.5 METERS (27.9 FEET)					
72	9.0 METERS (29.5 FEET)					
73	9.5 METERS (31.2 FEET)					
74	10.0 METERS (32.8 FEET)					
75	10.5 METERS (34.5 FEET)					
76	11.0 METERS (36.1 FEET)					
77	11.5 METERS (37.8 FEET)					
78	12.0 METERS (39.4 FEET)					
79	12.5 METERS (41.1 FEET)					
80	13.0 METERS (42.8 FEET)					
81	13.5 METERS (44.5 FEET)					
82	14.0 METERS (46.2 FEET)					
83	14.5 METERS (47.9 FEET)					
84	15.0 METERS (49.6 FEET)					

SEE CORRESPONDING PAGES FOR FURTHER REMOTE SEAL INFORMATION.

**ROSEMOUNT** INC.  
MINNEAPOLIS, MINN.

THIS DRAWING WAS CREATED ON CAD  
VELLUM MASTER IS NOT TO BE CHANGED  
DRAWING IS ARCHIVED ON MAGNETIC TAPE  
FOR ECO CHANGES.

FILE NAME: \_\_\_\_\_

SIZE: A  
SCALE: 04274

DR: \_\_\_\_\_

ISSUE: \_\_\_\_\_

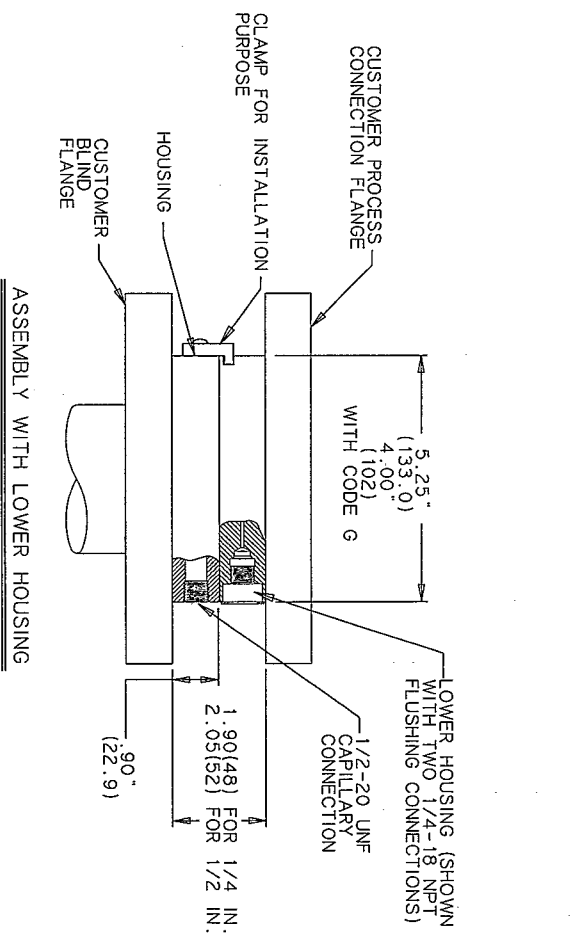
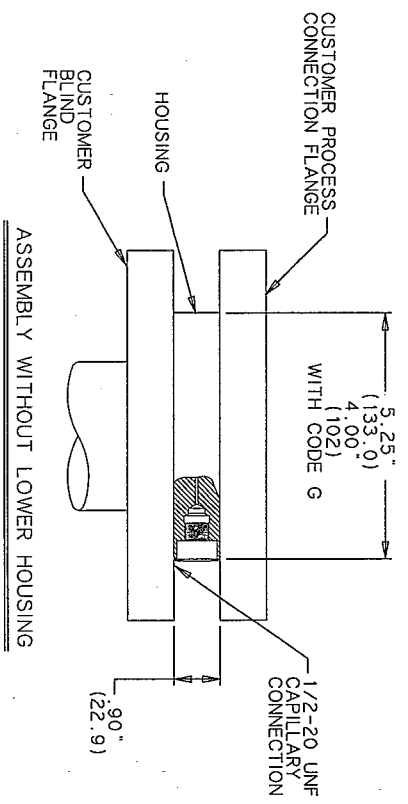
DRAWING NO. 03031-1030

SHEET 6 OF 18

# MODEL PFW PANCAKE SEAL

## CONTINUED FROM TABLE 9

CODE	INDUSTRY STANDARD (SELECT 1)
A	ANSI (AMERICAN NATIONAL STANDARDS INSTITUTE)
D	DIN (DEUTSCHES INSTITUT FÜR NORMUNG)
CODE	PROCESS CONNECTION STYLE
PFW	PANCAKE
CODE	PROCESS CONNECTION SIZE (SELECT 1)
G	2 in. /DN50
7	3 in. (ANSI ONLY)
J	DN 80 (DIN ONLY)
CODE	PRESSURE RATING (MWP) (SELECT 1)
0	NO FLANGE SUPPLIED. SEAL RATED TO 2000 psi. OR FLANGE RATING (ANSI ONLY)
9	NO FLANGE SUPPLIED. SEAL RATED TO PN 10. 160 (DIN ONLY)
1	CLASS 150 (ANSI) FLANGE AND RETAINING CAP
2	CLASS 300 (ANSI) FLANGE AND RETAINING CAP
4	CLASS 600 (ANSI) FLANGE AND RETAINING CAP
G	PN 40 (DIN) FLANGE AND RETAINING CAP
CODE	UPPER HOUSING MATERIAL MOUNTING FLANGE MATERIAL (SELECT 1)
L	316L SST NO MOUNTING FLANGE
C	316L SST PLATED CARBON STEEL
D	316L SST 316 SST
B	HASTELLOY C-276 NO MOUNTING FLANGE
M	HASTELLOY C-276 PLATED CARBON STEEL
K	HASTELLOY C-276 316 SST
CODE	DIAPHRAGM MATERIAL (SELECT 1)
A	316L SST
B	HASTELLOY C-276
C	TANTALUM
CODE	LOWER HOUSING MATERIAL (SELECT 1)
O	NO LOWER HOUSING
A	316 SST
B	HASTELLOY C-276
D	PLATED CARBON STEEL
CODE	FLUSHING OPTION (SELECT 1)
0	NO LOWER HOUSING
1	ONE 1/4 in. FLUSHING CONNECTION
3	TWO 1/4 in. FLUSHING CONNECTIONS
7	ONE 1/2 in. FLUSHING CONNECTION
9	TWO 1/2 in. FLUSHING CONNECTIONS
CODE	OPTIONS (SELECT 1, 2, OR 3)
0	NONE
A	INCLUSION OF A VACUUM RESISTANT GASKET (FOR USE WITH MODEL 1151 TRANSMITTERS IN VACUUM APPLICATIONS)
B	EXTRA FILL FOR COLD TEMPERATURE APPLICATIONS
C	0.0006-in. DIAPHRAGM THICKNESS (SST DIAPHRAGM ONLY)
D	HASTELLOY PLUG IN FLUSHING CONNECTION
G	SST PLUG IN FLUSHING CONNECTION
H	SST DRAIN/VENT IN FLUSHING CONNECTION
J	TEFLON GASKET
K	BARIUM SULFATE-FILLED TEFLON GASKET
V	TEFLON COATED DIAPHRAGM FOR NONSTICK PURPOSES



**ROSEMOUNT INC.**  
MINNEAPOLIS, MINN.

THIS DRAWING WAS CREATED ON CAD. VELLUM MASTER IS NOT TO BE CHANGED FOR ECO CHANGES.

FILE NAME: \_\_\_\_\_

SIZE: A FSCM NO. 04274 DRAWING NO. 03031-1030

DR \_\_\_\_\_

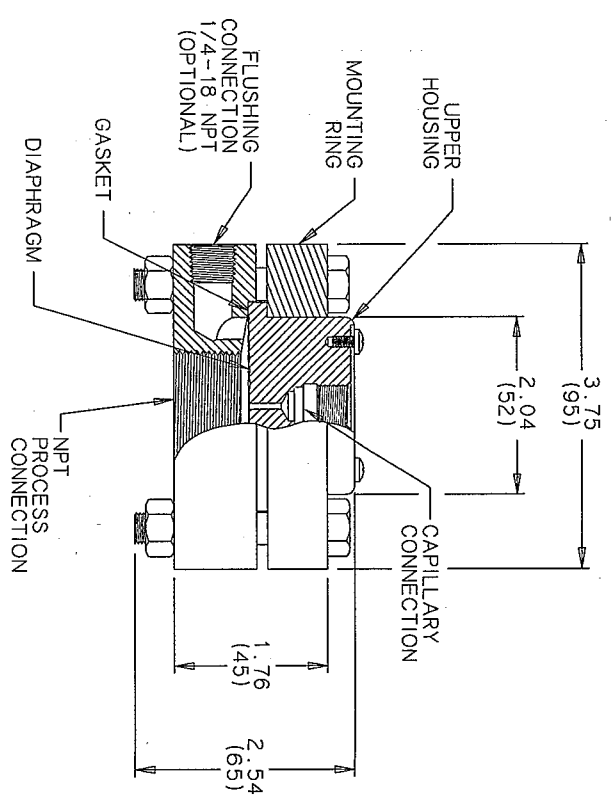
ISSUE \_\_\_\_\_

SCALE: \_\_\_\_\_ WT. \_\_\_\_\_ SHEET 7 OF 18

# MODEL ARTW THREADED SEAL

## CONTINUED FROM TABLE 9

CODE	PROCESS CONNECTION STYLE	
ARTW	THREADED	
CODE	PROCESS CONNECTION SIZE (SELECT 1)	
1	1/4-18 NPT	
2	3/8-18 NPT	
3	1/2-14 NPT	
4	3/4-18 NPT	
5	1-11.5 NPT	
6	1-1/4-11.5 NPT (FLUSHING CONNECTION NOT AVAILABLE)	
7	1-1/2-11.5 NPT (FLUSHING CONNECTION NOT AVAILABLE)	
CODE	PRESSURE RATING (MWP) (SELECT 1)	
0	2,000 psi MAXIMUM WORKING PRESSURE (WITH STANDARD CARBON STEEL BOLTS)	
CODE	UPPER HOUSING MATERIAL	MOUNTING FLANGE MATERIAL (SELECT 1)
C	316L SST	PLATED CARBON STEEL
D	316L SST	316 SST
CODE	DIAPHRAGM MATERIAL (SELECT 1)	
A	316L SST	
B	HASTELLOY C-276	
C	TANTALUM	
CODE	LOWER HOUSING MATERIAL (SELECT 1)	
A	316 SST	
B	HASTELLOY C-276	
D	PLATED CARBON STEEL	
CODE	FLUSHING OPTION (SELECT 1)	
1	ONE 1/4 in. FLUSHING CONNECTION	
3	TWO 1/4 in. FLUSHING CONNECTIONS	
5	NO FLUSHING CONNECTION	
CODE	OPTIONS (SELECT 1, 2, OR 3)	
0	NONE	
3	304 SST BOLTS	
4	316 SST BOLTS	
A	INCLUSION OF A VACUUM RESISTANT GASKET (FOR USE WITH MODEL 1151 TRANSMITTERS IN VACUUM APPLICATIONS)	
B	EXTRA FILL FOR COLD TEMPERATURE APPLICATIONS	
C	0.0006-in. DIAPHRAGM THICKNESS	
D	HASTELLOY PLUG IN FLUSHING CONNECTION	
G	SST PLUG IN FLUSHING CONNECTION	
H	SST DRAIN/VENT IN FLUSHING CONNECTION	
J	TEFLON GASKET	
K	BARIUM SULFATE-FILLED TEFLON GASKET	
R	ETHYLENE PROPYLENE GASKET	
N	GRAFOIL GASKET	
V	TEFLON COATED DIAPHRAGM FOR NONSTICK PURPOSES	



**ROSEMOUNT**® INC.  
MINNEAPOLIS, MINN.

THIS DRAWING WAS CREATED ON CAD. VELLUM MASTER IS NOT TO BE CHANGED. DRAWING IS ARCHIVED ON MAGNETIC TAPE FOR ECO CHANGES.

FILE NAME: \_\_\_\_\_

SIZE: A FSCM. NO. 04274 DRAWING NO. 03031-1030

SCALE: \_\_\_\_\_ WT. \_\_\_\_\_ SHEET 8 OF 18

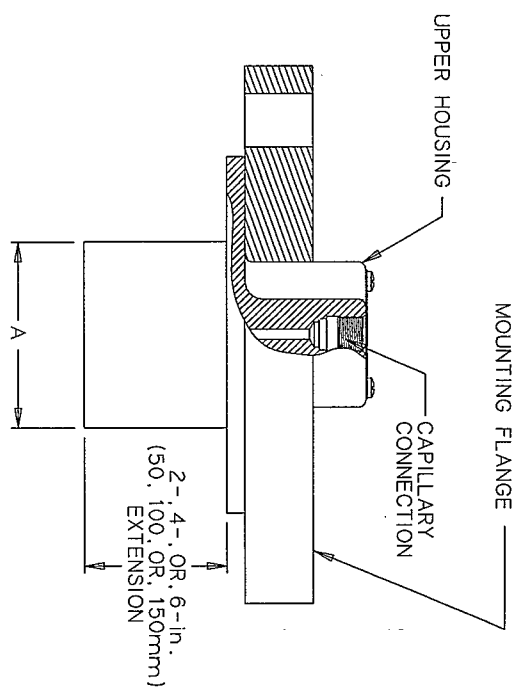
DR \_\_\_\_\_ ISSUE \_\_\_\_\_



# MODEL EFW EXTENDED FLANGE SEAL

## CONTINUED FROM TABLE 9

CODE	INDUSTRY STANDARD (SELECT 1)
A	ANSI (AMERICAN NATIONAL STANDARDS INSTITUTE)
D	DIN (DEUTSCHES INSTITUT FUR NORMUNG)
CODE	PROCESS CONNECTION STYLE
EFW	EXTENDED FLANGE SEAL
CODE	PROCESS CONNECTION SIZE (SELECT 1)
7	3 in. (ANSI ONLY)
9	4-in. (DN 100)
J	DN 80(DIN ONLY)
CODE	FLANGE PRESSURE RATING (SELECT 1)
1	CLASS 150 (ANSI)
2	CLASS 300 (ANSI)
4	CLASS 600 (ANSI)
G	PN 40 (DIN)
E	PN 10/16 (DN 100 ONLY)
CODE	UPPER HOUSING MATERIAL MOUNTING FLANGE MATERIAL (SELECT 1)
C	316L SST PLATED CARBON STEEL
D	316L SST
CODE	DIAPHRAGM/EXTENSION MATERIAL (SELECT 1)
AL	316L SST
BB	HASTELLOY C-276
CL	TANTALUM / 316L SST
CODE	EXTENSION LENGTH (SELECT 1)
2	2-in. (50mm)
4	4-in. (100mm)
6	6-in. (150mm)
CODE	OPTIONS (SELECT 1, 2, OR 3)
0	NONE
3	4-in. FLANGE FOR 3-in. DIAPHRAGM
A	INCLUSION OF A VACUUM RESISTANT GASKET (FOR USE WITH MODEL 1151
B	TRANSMITTERS IN VACUUM APPLICATIONS)
C	EXTRA FILL FOR COLD TEMPERATURE APPLICATIONS
2	.0006-in. DIAPHRAGM THICKNESS (SST DIAPHRAGM ONLY)
V	SIZED FOR SCHEDULE 40 PIPE (HEADBOX APPLICATION, OLD M0080) ANSI ONLY
	TEFLON COATED DIAPHRAGM FOR NONSTICK SURFACES



PROCESS CONNECTION SIZE	FLANGE RATING	DIAMETER A
3-in.	ALL	2.58 (66)
4-in./DN 100	ALL	3.50 (89)
DN 80	ALL	2.992 (76)
3 in. HEADBOX	ALL	2.875 (74)
4 in. HEADBOX	ALL	3.780 (97)

**ROSEMOUNT** INC.  
MINNEAPOLIS, MINN.

THIS DRAWING WAS CREATED ON CAD. VELLUM MASTER IS NOT TO BE CHANGED. DRAWING IS ARCHIVED ON MAGNETIC TAPE FOR ECO CHANGES.

FILE NAME: \_\_\_\_\_

SIZE FSQM. NO. DRAWING NO. 03031-1030

A 04274

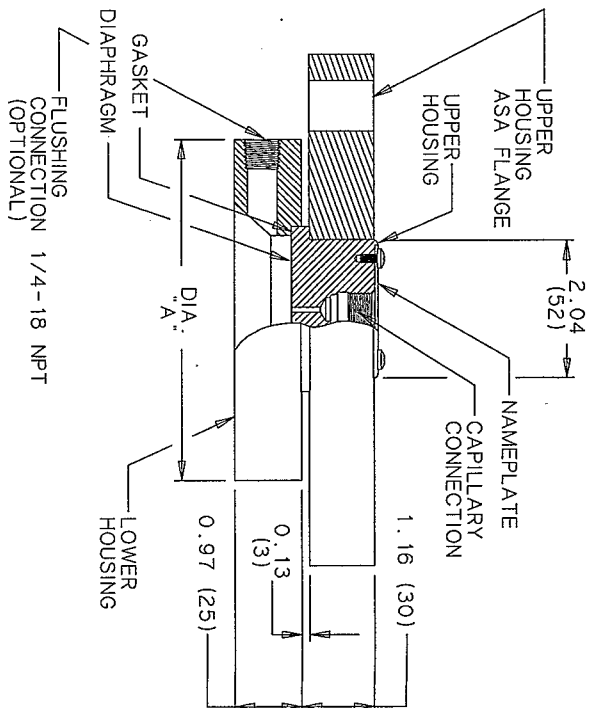
SCALE: \_\_\_\_\_ WT. \_\_\_\_\_ SHEET 9 OF 18

DR \_\_\_\_\_ ISSUE \_\_\_\_\_

# MODEL RFW FLANGED SEAL

## CONTINUED FROM TABLE 9

CODE	INDUSTRY STANDARD (SELECT 1)
A	ANSI (AMERICAN NATIONAL STANDARDS INSTITUTE)
D	DIN (DEUTSCHES INSTITUT FÜR NORMUNG)
CODE	PROCESS CONNECTION STYLE
RFW	FLANGED
CODE	PROCESS CONNECTION SIZE (SELECT 1)
2	1-in. (ANSI ONLY)
4	1-1/2-in. (ANSI ONLY)
D	DN 25 (DIN ONLY)
F	DN 40 (DIN ONLY)
CODE	PRESSURE RATING (SELECT 1)
1	CLASS 150 (ANSI)
2	CLASS 300 (ANSI)
4	CLASS 600 (ANSI)
G	PN 40 (DIN)
CODE	UPPER HOUSING MATERIAL MOUNTING FLANGE MATERIAL (SELECT 1)
C	316L SST PLATED CARBON STEEL
D	316L SST
CODE	DIAPHRAGM MATERIAL (SELECT 1)
A	316L SST
B	HASTELLOY C-276
C	TANTALUM
CODE	LOWER HOUSING MATERIAL (SELECT 1)
A	316 SST
B	HASTELLOY C-276
D	PLATED CARBON STEEL
T	TEFLON COATED
CODE	FLUSHING OPTIONS (SELECT 1)
1	ONE 1/4 in. FLUSHING CONNECTION
3	TWO 1/4 in. FLUSHING CONNECTIONS
5	NO FLUSHING CONNECTIONS
CODE	OPTIONS (SELECT 1, 2, OR 3)
O	NONE
A	INCLUSION OF A VACUUM RESISTANT GASKET (FOR USE WITH MODEL 1151 TRANSMITTERS IN VACUUM APPLICATIONS)
B	EXTRA FILL FOR COLD TEMPERATURE APPLICATIONS
C	0.0006-in. DIAPHRAGM THICKNESS
D	HASTELLOY PLUG (IN 1/4-in. FLUSHING CONNECTION ONLY)
G	SST PLUG (IN 1/4-in. FLUSHING CONNECTION ONLY)
H	SST DRAIN/VENT (IN 1/4-in. FLUSHING CONNECTION ONLY)
J	TEFLON GASKET
K	BARIUM SULFATE-FILLED TEFLON GASKET
R	ETHYLENE PROPYLENE GASKET
N	GRAFOIL GASKET
V	TEFLON COATED DIAPHRAGM FOR NONSTICK PURPOSES



PROCESS CONNECTION SIZE	DIAMETER A
1 in. /DN 25	2.62 (67)
1-1/2 in. /DN 40	3.10 (79)

**ROSEMOUNT** INC.  
MINNEAPOLIS, MINN.

THIS DRAWING WAS CREATED ON CAD. VELLUM MASTER IS NOT TO BE CHANGED FOR ECO CHANGES.

FILE NAME: \_\_\_\_\_

SIZE: A FSCM. NO. 04274 DRAWING NO. 03031-1030

SCALE: \_\_\_\_\_ SHEET 10 OF 18

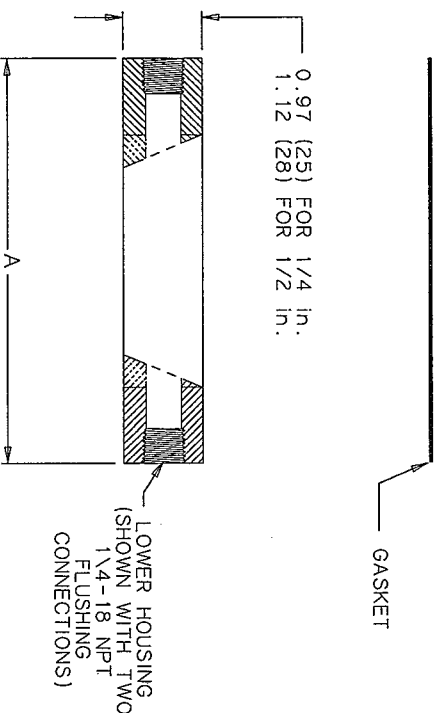
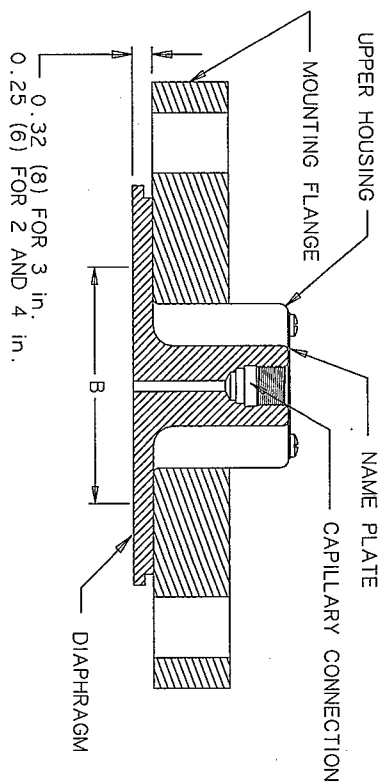
DR \_\_\_\_\_ ISSUE \_\_\_\_\_

# MODEL FFW FLUSH FLANGED SEAL

## CONTINUED FROM TABLE 9

CODE	INDUSTRY STANDARD (SELECT 1)
A	ANSI (AMERICAN NATIONAL STANDARDS INSTITUTE)
D	DIN (DEUTSCHES INSTITUT FÜR NORMUNG)
CODE	PROCESS CONNECTION STYLE
FFW	FLANGED, FLUSH SURFACE
CODE	PROCESS CONNECTION SIZE (SELECT 1)
G	2-in. /DN50
7	3 in. (ANSI ONLY)
9	4-in. /DN100
J	DN 80 (DIN ONLY)
CODE	FLANGE PRESSURE RATING (MWP) (SELECT 1)
1	CLASS 150 (ANSI)
2	CLASS 300 (ANSI)
4	CLASS 600 (ANSI)
G	PN 40 (DIN)
E	PN 10/16 (DN 100 ONLY)
CODE	UPPER HOUSING MATERIAL
C	316L SST
D	316L SST
M	HASTELLOY C-276
K	HASTELLOY C-276
CODE	DIAPHRAGM MATERIAL (SELECT 1)
A	316L SST
B	HASTELLOY C-276
C	TANTALUM - SEAM WELDED
3	TANTALUM - BRAZED
CODE	LOWER HOUSING MATERIAL (SELECT 1)
O	NO LOWER HOUSING
A	316 SST
B	HASTELLOY C-276
D	PLATED CARBON STEEL
CODE	FLUSHING OPTION (SELECT 1)
0	NO LOWER HOUSING
1	ONE 1/4 in. FLUSHING CONNECTION
3	TWO 1/4 in. FLUSHING CONNECTIONS
7	ONE 1/2 in. FLUSHING CONNECTION
9	TWO 1/2 in. FLUSHING CONNECTIONS
CODE	OPTIONS (SELECT 1, 2, OR 3)
O	NONE
3	4-in. FLANGE FOR 3-in. DIAPHRAGM
5	0.0003 in. THICK DIAPHRAGM
A	VACUUM RESISTANT GASKET (FOR USE WITH MODEL 1151 TRANSmitters IN VACUUM APPLICATIONS)
B	COLD TEMPERATURE OPTION (BELOW 0°F OR -17.8°C)
C	0.0006-in. DIAPHRAGM THICKNESS (SST DIAPHRAGM ONLY)
D	HASTELLOY PLUG IN FLUSHING CONNECTION
G	SST PLUG IN FLUSHING CONNECTION
H	SST DRAIN/VENT IN FLUSHING CONNECTION
J	TEFLON GASKET
V	TEFLON COATED DIAPHRAGM FOR NONSTICK PURPOSES

SIZE	A	B
2 in. /DN 50	4.00 (101)	2.38 (60)
3 in. /DN 80	5.25 (133)	3.5 (89)
4 in. /DN 100	6.38 (162)	4.5 (114)



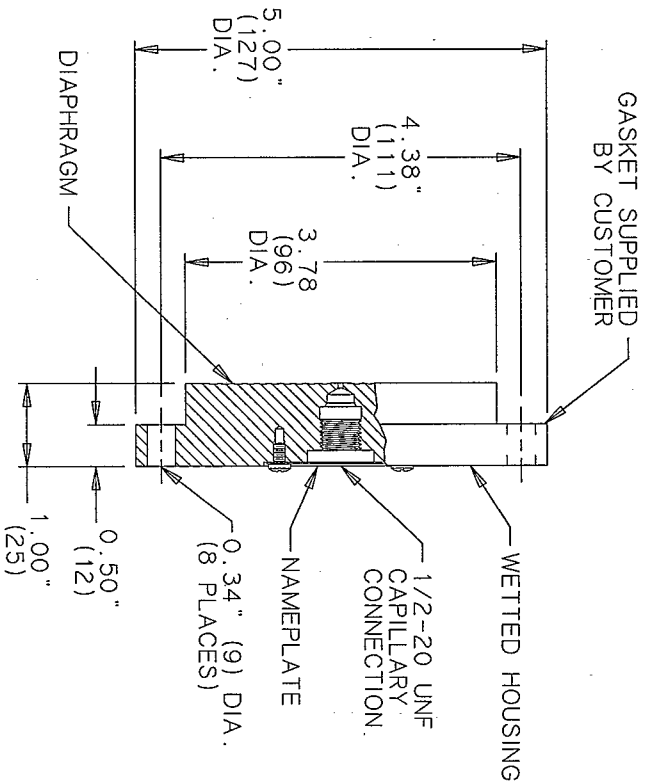
**ROSEMOUNT®**  
MINNEAPOLIS, MINN.

THIS DRAWING WAS CREATED ON CAD. VELLUM MASTER IS NOT TO BE CHANGED. DRAWING IS ARCHIVED ON MAGNETIC TAPE FOR ECO CHANGES.  
FILE NAME:  
SIZE: FSCM. NO. 04274  
DRAWING NO. 03031-1030  
SCALE: WT. SHEET 11 OF 18

# MODEL NCTW2 CHEMICAL TEE SEAL

## CONTINUED FROM TABLE 9

CODE	PROCESS CONNECTION STYLE
NCTW	CHEMICAL TEE SEAL (WEDGE FLOW STYLE SEAL)
CODE	FLANGE PRESSURE RATING
20	1,000 PSI MAXIMUM WORKING PRESSURE
CODE	UPPER HOUSING MATERIAL
A	316 SST
CODE	DIAPHRAGM MATERIAL (SELECT 1)
A	316L SST
B	HASTELLOY C-276
CODE	LOWER HOUSING/FLUSHING OPTION
00	NOT APPLICABLE
CODE	OPTIONS (SELECT 1, 2, OR 3)
0	NONE
A	INCLUSION OF A VACUUM RESISTANT GASKET (FOR USE WITH MODEL 1151)
B	TRANSMITTERS IN VACUUM APPLICATIONS)
C	EXTRA FILL FOR COLD TEMPERATURE APPLICATIONS
V	0.0006 INCH DIAPHRAGM THICKNESS TEFLON COATED DIAPHRAGM FOR NON STICK PURPOSES



**ROSEMOUNT**<sup>®</sup> INC.  
MINNEAPOLIS, MINN.

THIS DRAWING WAS CREATED ON CAD.  
VELLUM MASTER IS NOT TO BE CHANGED.  
DRAWING IS ARCHIVED ON MAGNETIC TAPE  
FOR ECO CHANGES.

FILE NAME:

SIZE: A FSCM. NO. 04274 DRAWING NO. 03031-1030

DR 04274

ISSUE

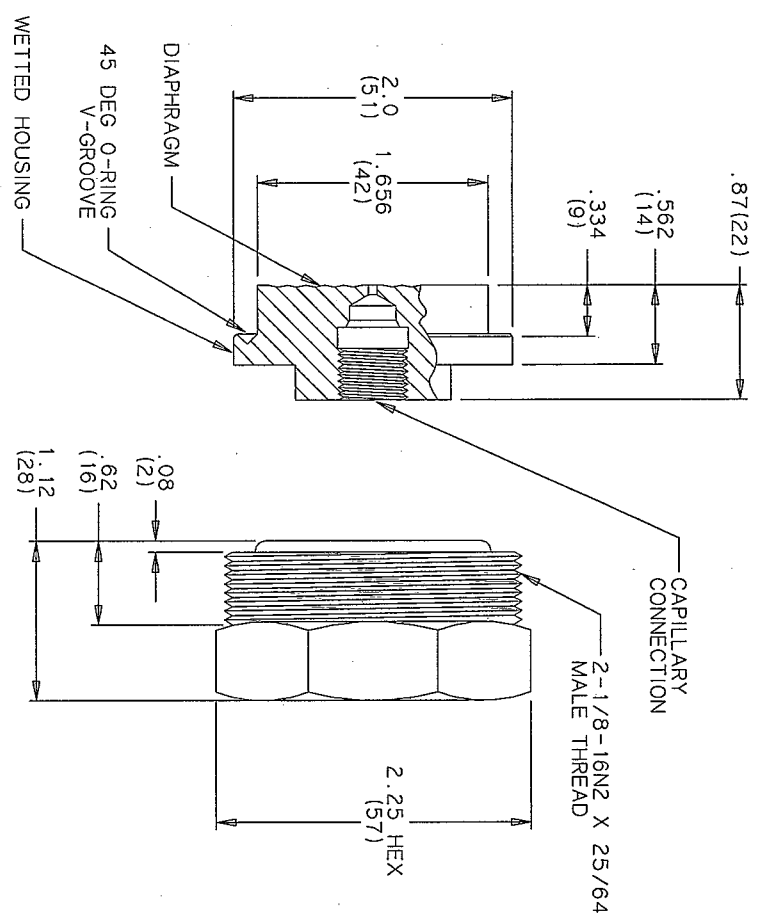
SCALE: WT.

SHEET 12 OF 18

# MODEL NUCW 1 UNION CONNECTION SEAL

## CONTINUED FROM TABLE 9

CODE	PROCESS CONNECTION STYLE
NUCW	UNION CONNECTION SEAL. (SUGGESTED MINIMUM SPAN: 5 psi.)
CODE	FLANGE PRESSURE RATING
0	2,000 psi MAXIMUM WORKING PRESSURE
CODE	UPPER HOUSING MATERIAL
AA	316 SST/316L SST
BB	HASTELLOY C-276/HASTELLOY C-276
CODE	LOWER HOUSING/FLUSHING OPTION
00	NOT APPLICABLE
CODE	OPTIONS (SELECT 1, 2, OR 3)
0	NONE
A	INCLUSION OF A VACUUM RESISTANT GASKET (FOR USE WITH MODEL 1151 TRANSMITTERS IN VACUUM APPLICATIONS)
B	COLD TEMPERATURE APPLICATION (BELOW 0 F OR -17.8 C)
1	WELD NUGGET FOR CAPILLARY SUPPORT TUBE
V	TEFLON COATED DIAPHRAGM FOR NONSTICK PURPOSES



**ROSEMOUNT® INC.**  
MINNEAPOLIS, MINN.

THIS DRAWING WAS CREATED ON CAD. VELLUM MASTER IS NOT TO BE CHANGED. DRAWING IS ARCHIVED ON MAGNETIC TAPE FOR ECO CHANGES.

FILE NAME: \_\_\_\_\_

SIZE: A  
FSCM. NO.: 04274  
DRAWING NO.: 03031-1030

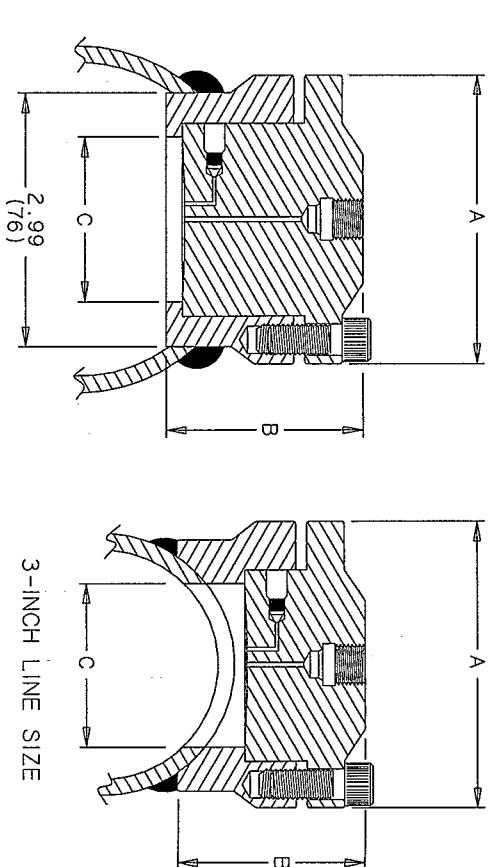
SCALE: \_\_\_\_\_ WT. \_\_\_\_\_ SHEET 13 OF 18

DR \_\_\_\_\_ ISSUE \_\_\_\_\_

# MODEL NWS SADDLE SEAL

## CONTINUED FROM TABLE 9

CODE	PROCESS CONNECTION STYLE
NWSP	FLOE-THRU SADDLE SEAL
CODE	PROCESS CONNECTION SIZE (SELECT 1)
7	3-in. PIPE
9	4-in. AND LARGER PIPE
CODE	PRESSURE RATING
0	1,250 psi AT 100 DEG F (8618 kPa AT 38 DEG C) - SIX BOLT HOLES
1	1,500 psi AT 100 DEG F (10340 kPa AT 38 DEG C) - EIGHT BOLT HOLES
CODE	UPPER HOUSING MATERIAL (SELECT 1)
L	316L SST (304 SST BOLTS)
CODE	DIAPHRAGM MATERIAL (SELECT 1)
A	316L SST
B	HASTELLOY C-276
C	TANTALUM
CODE	LOWER HOUSING MATERIAL (SELECT 1)
00	NO LOWER HOUSING
B5	HASTELLOY C-276
D5	PLATED CARBON STEEL
L5	316L SST
CODE	SEAL OPTIONS (2 POSITIONS REQUIRED)
0	NONE
7	TEFLON O-RING
N	GRAFOIL GASKET
A	VACUUM-RESISTANT GASKET
A	0.0006 INCH DIAPHRAGM THICKNESS
C	TEFLON COATED DIAPHRAGM FOR NONSTICK PURPOSES
V	



SIZE	DIM. A	DIM. B	DIM. C
3 in.	3.50 (89)	2.27 (58)	2.01 (51)
4 in. AND LARGER	3.50 (89)	2.38 (60)	2.01 (51)

**ROSEMOUNT**<sup>®</sup> INC.  
MINNEAPOLIS, MINN.

THIS DRAWING WAS CREATED ON CAD  
VELLUM MASTER IS NOT TO BE CHANGED  
DRAWING IS ARCHIVED ON MAGNETIC TAPE  
FOR ECO CHANGES.

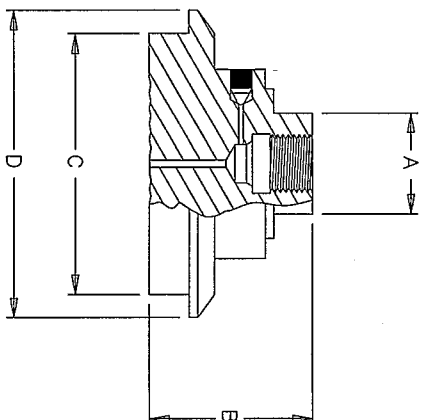
FILE NAME: \_\_\_\_\_  
SIZE FSQM NO. DRAWING NO. 03031-1030  
A 04274  
SCALE: \_\_\_\_\_ WT. SHEET 14 OF 18

DR \_\_\_\_\_  
ISSUE \_\_\_\_\_

# MODEL SSH CHERRY BURRELL SEAL

## CONTINUED FROM TABLE 9

CODE	PROCESS CONNECTION STYLE
SSHP	SANITARY CHERRY BURRELL "1" LINE STYLE
CODE	PROCESS CONNECTION SIZE (SELECT 1)
50	2-in. (SUGGESTED MINIMUM SPAN: 15 psi)
70	3-in.
CODE	UPPER HOUSUNG/DIAPHRAGM MATERIAL (SELECT 1)
AA	316 SST/316L SST
AB	316 SST/HASTELLOY C-276
CODE	LOWER HOUSUNG/FLUSHING OPTION
00	NOT APPLICABLE
CODE	SYSTEM OPTIONS (SELECT 1)
0	NONE
A	INCLUSION OF A VACUUM RESISTANT GASKET (FOR USE WITH MODEL 1151 TRANSMITTERS IN VACUUM APPLICATIONS)
P	NON-GRAS FILL WITHOUT 3-A APPROVAL



DIAMETER (NOMINAL)	DIMENSION			
	A	B	C	D
2 in.	1.62 (41)	1.39 (35)	2.24 (57)	2.64 (67)
3 in.	3.88 (99)	1.24 (31)	3.30 (84)	3.88 (99)

THIS DRAWING WAS CREATED ON CAD. VELLUM MASTER IS NOT TO BE CHANGED. DRAWING IS ARCHIVED ON MAGNETIC TAPE FOR ECO CHANGES.

**ROSEMOUNT** INC.  
MINNEAPOLIS, MINN.

FILE NAME: \_\_\_\_\_

SIZE FSQM. NO. \_\_\_\_\_ DRAWING NO. 03031-1030

DR A 04274

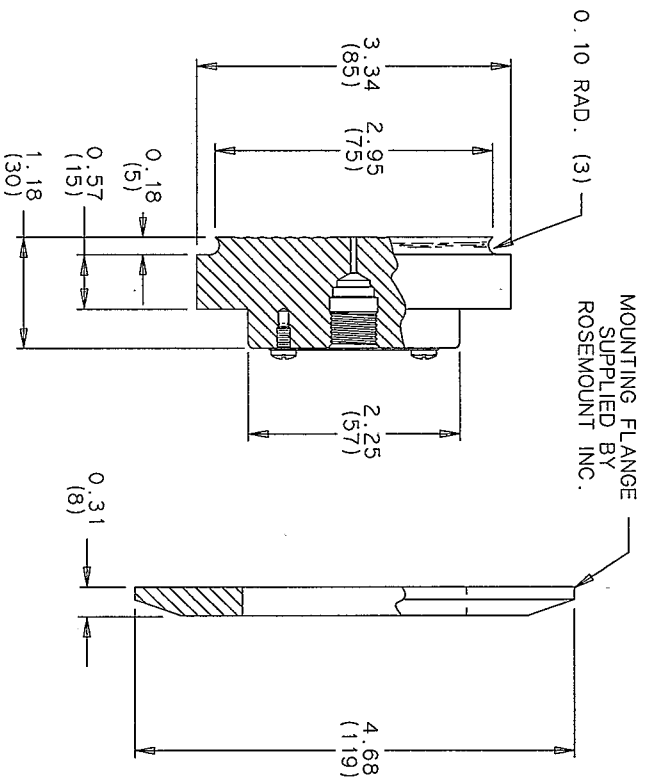
SCALE: \_\_\_\_\_ WT. \_\_\_\_\_ SHEET 15 OF 18

ISSUE \_\_\_\_\_

# MODEL SSTWBO THIN-WALL TANK SPUD SEAL

## CONTINUED FROM TABLE 9

CODE	PROCESS CONNECTION STYLE
SSTW	SANITARY THIN WALL TANK SPUD
CODE	PRESSURE RATING
BO	300 psig MAX WORKING PRESSURE
CODE	WETTED PARTS MATERIAL (UPPER HOUSING AND DIAPHRAGM) (SELECT 1)
LA	316L SST
KB	HASTELLOY C-276
CODE	OTHER WETTED MATERIAL/EXTENTIONS
00	NOT APPLICABLE
CODE	OPTIONS (SELECT 1, 2, OR 3)
0	NONE
A	INCLUSION OF A VACUUM RESISTANT GASKET (FOR USE WITH MODEL
P	1151 TRANSMITTERS IN VACUUM APPLICATIONS)
1	NON-GRAS FILL WITHOUT 3-A APPROVAL
	TANK SPUD INCLUDED WITH SHIPMENT



**ROSEMOUNT**<sup>®</sup> INC.  
MINNEAPOLIS, MINN.

THIS DRAWING WAS CREATED ON CAD.  
VELLUM MASTER IS NOT TO BE CHANGED.  
DRAWING IS ARCHIVED ON MAGNETIC TAPE  
FOR ECO CHANGES.

DR	SIZE	FORM NO.	DRAWING NO.	SHEET	OF
ISSUE	A	04274	03031-1030	16	18
	SCALE:	WT.			



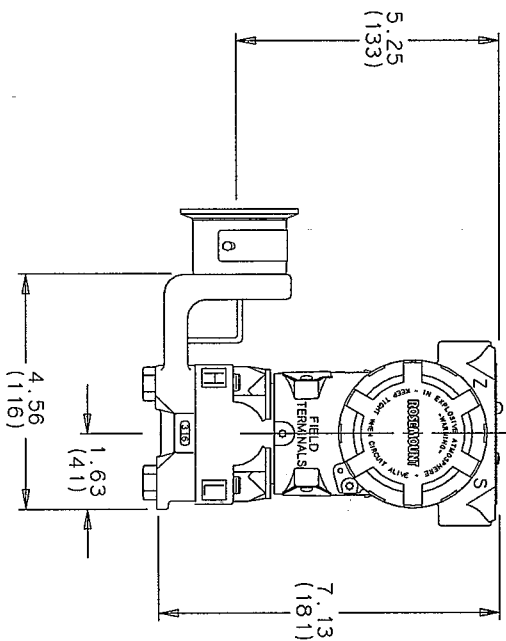
# MODEL SSC TRI-CLAMP SEAL

## CONTINUED FROM TABLE 9

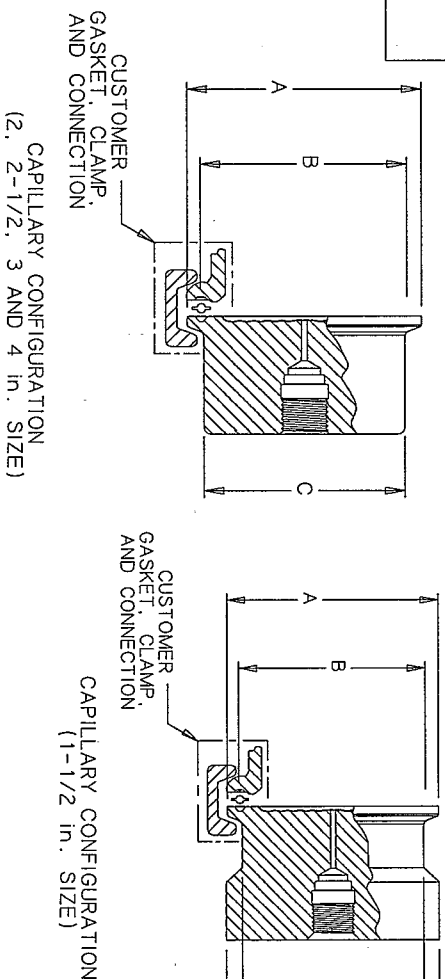
CODE	INDUSTRY STANDARD
S	SANITARY
CODE	PROCESS CONNECTION STYLE
SCW	SANITARY TRI-CLOVER STYLE TRI-CLAMP MAXIMUM WORKING PRESSURE: 600 psi (4140 kPa)
CODE	PROCESS CONNECTION SIZE
30	1-1/2-in.
50	2-in.
60	2-1/2-in.
70	3-in.
90	4-in.
CODE	UPPER HOUSING/WETTED DIAPHRAGM MATERIAL
LA	316L SST/316L SST
BB	316L HASTELLOY C-276/HASTELLOY C-276
CODE	LOWER HOUSING FLUSHING OR EXTENSION OPTION
00	NOT APPLICABLE
CODE	SEAL OPTIONS
0	NONE
2	HIGH PRESSURE LADISH CLAMP (ALLOWS PRESSURE UP TO 600 psi. (4140 kPa) AT 52 DEG F (125 DEG F))
3	BUNA N GASKET VACUUM RESISTANT GASKET (FOR USE WITH MODEL 1151 TRANSMITTERS IN VACUUM APPLICATIONS)
P	NON-SANITARY FILL FLUID (3-A APPROVAL NOT VALID)

CLAMP MODEL	psi @ 70 DEG F	psi @ 250 DEG F
13MLHA	150	125
13MHM	(2-in.) 450 (3-in.) 350	250 150
13MHP	1,000	800

ORDER CODE	DIAMETER (NOMINAL)	DIMENSION			
		A	B	C	D
30	1.5 (38)	2.0 (51)	1.72 (44)	2.04 (52)	1.62 (41)
50	2.0 (51)	2.5 (64)	2.22 (56)	2.04 (52)	-
60	2.5 (64)	3.0 (76)	2.78 (71)	2.04 (52)	-
70	3.0 (76)	3.6 (91)	3.28 (93)	2.04 (52)	-
90	4.0 (102)	4.7 (119)	4.35 (111)	2.04 (52)	-



MODEL 3051C  
WITH INTEGRAL MOUNT SEAL  
(2 AND 3 in. SIZES)



ROSEMOUNT<sup>®</sup> INC.  
MINNEAPOLIS, MINN.

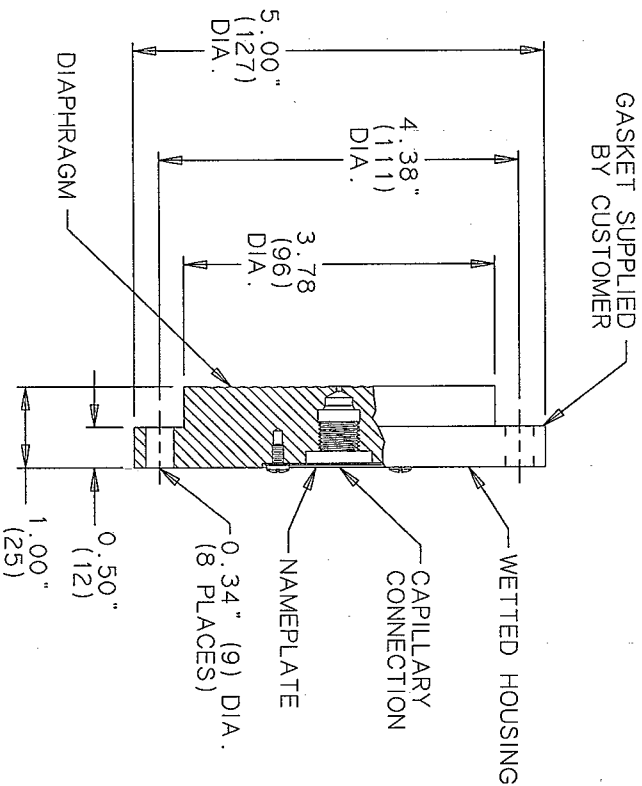
THIS DRAWING WAS CREATED ON CAD.  
VELLUM MASTER IS NOT TO BE CHANGED.  
DRAWING IS ARCHIVED ON MAGNETIC TAPE  
FOR ECO CHANGES.

DR	SIZE	FSCM. NO.	DRAWING NO.
ISSUE	A	04274	03031-1030
	SCALE:	WT.	SHEET 17 OF 18

# MODEL NCTW2 CHEMICAL TEE SEAL

## CONTINUED FROM TABLE 9

CODE	INDUSTRY STANDARD
N	INDUSTRY SPECIFIC
CODE	PROCESS CONNECTION STYLE
CTW	CHEMICAL TEE SEAL (WEDGE FLOW STYLE SEAL)
CODE	FLANGE PRESSURE RATING
20	750 PSIG MAXIMUM WORKING PRESSURE
CODE	DIAPHRAGM MATERIAL UPPER HOUSING MATERIAL (WETTED)
AA	316L SST
BB	HASTELLOY C-276
CODE	LOWER HOUSING/FLUSHING OPTION
00	NOT APPLICABLE
CODE	OPTIONS
0	NONE
A	VACUUM RESISTANT GASKET (FOR USE WITH MODEL 1151 TRANSMITTERS IN VACUUM APPLICATIONS)
B	EXTRA FILL FOR COLD TEMPERATURE APPLICATIONS
C	0.006 INCH DIAPHRAGM THICKNESS (316L SST DIAPHRAGM FOR ABRASIVE APPLICATIONS ONLY)
V	TEFLON COATED DIAPHRAGM FOR NON STICK PURPOSES



**ROSEMOUNT**<sup>®</sup> INC.  
MINNEAPOLIS, MINN.

THIS DRAWING WAS CREATED ON CAD.  
VELLUM MASTER IS NOT TO BE CHANGED.  
DRAWING IS ARCHIVED ON MAGNETIC TAPE  
FOR ECO CHANGES.

DR	SIZE	FILE NAME:	DRAWING NO.	SHEET	OF
ISSUE	A	04274	03031-1030	18	18
	SCALE:	WT.			