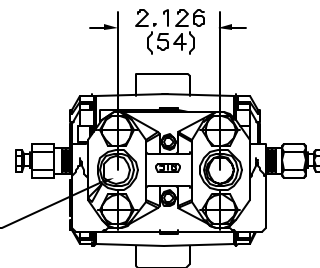
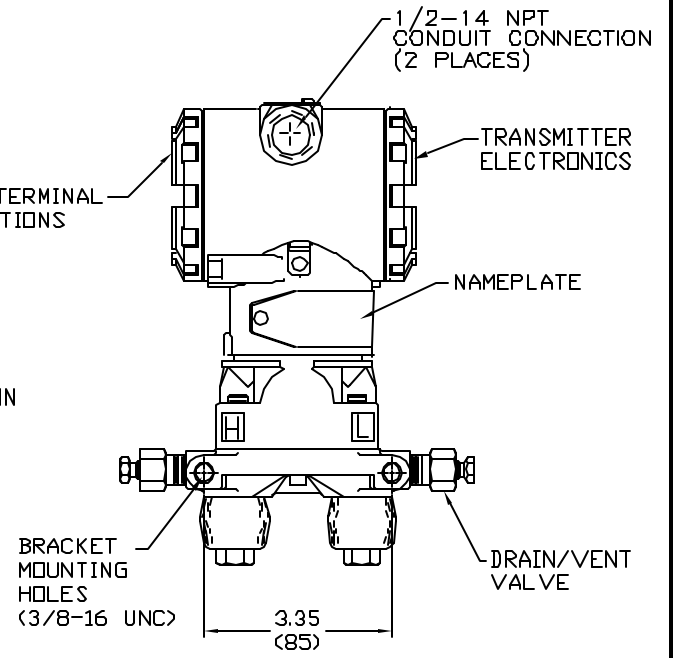
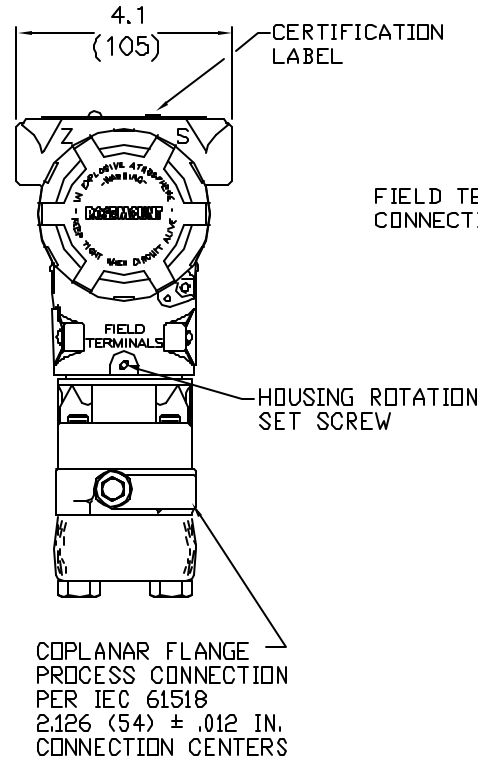
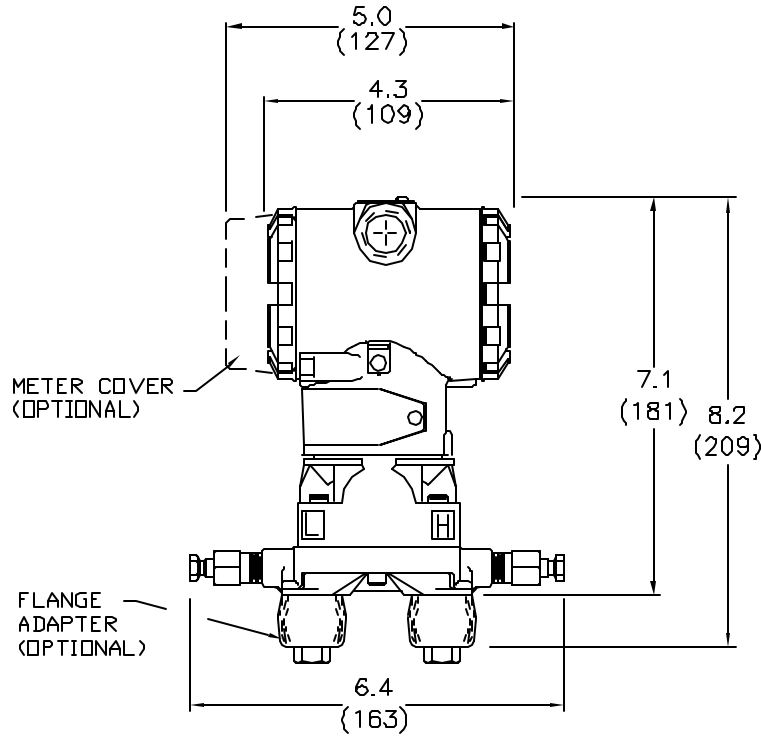


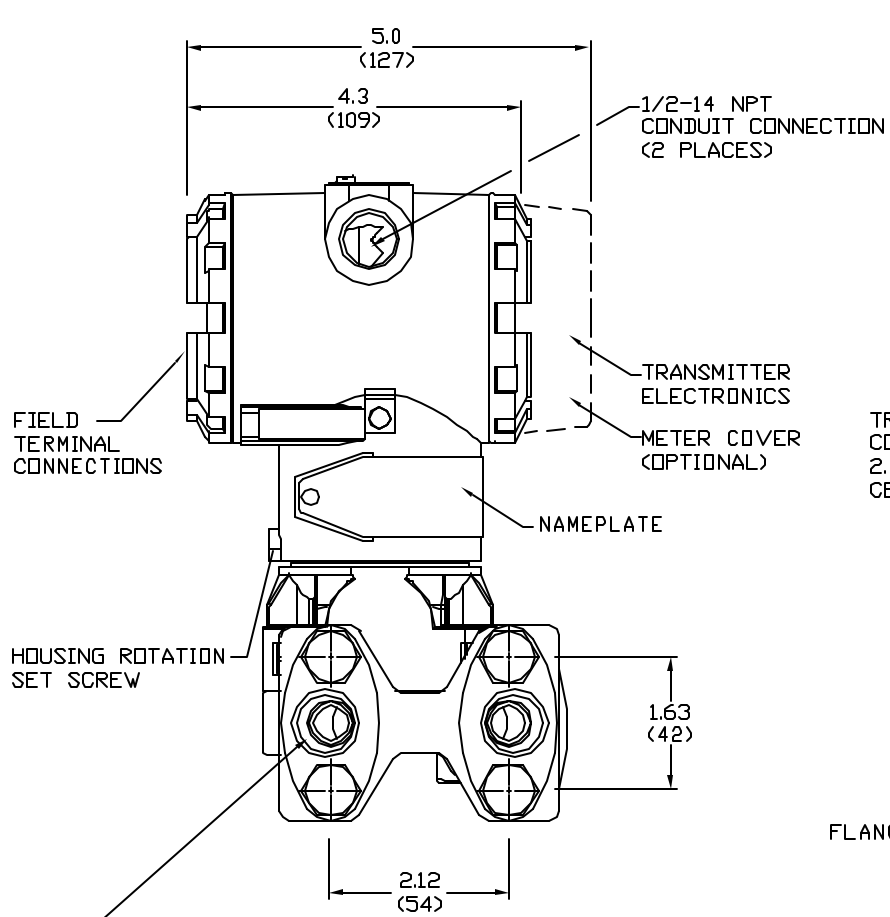
3051C PRESSURE TRANSMITTER-COPLANAR FLANGE

REVISIONS				
REV	DESCRIPTION	CHG.NO.	APP'D	DATE
AE	CREATE NEW TYPE 1	RTC1014382	NH	12/10/02
AF	UPDATE RIGHT SIDE VIEW ON SHEET 2	RTC1015131	NH	3/28/03

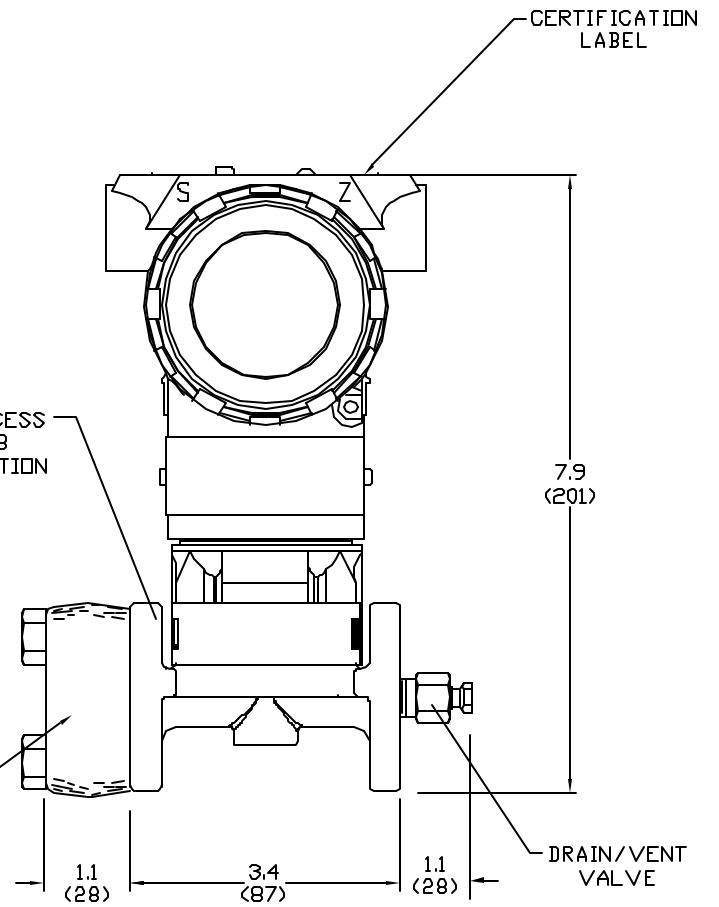


*UNLESS OTHERWISE SPECIFIED DIMENSIONS IN INCHES (MM)		TYPE I		ROSEMOUNT INC. CHANHASSEN, MINNESOTA	
*ALL DIMENSIONS ARE NOMINAL AND ARE FOR REFERENCE ONLY		DR. JOHN ARMSTRONG	11/28/02	TITLE	
		APP'D DRAWING	N. HAYWOOD	4/1/03	DIMENSIONAL DRAWING FOR MODEL 3051C PRESSURE TRANSMITTERS
		APP'D TAGGING			SIZE A FSCM.NO. 04274
		APP'D SPECIALS			DRAWING NO. 03031-1011
		SCALE: NONE		WT.	SHEET 1 OF 2

3051C PRESSURE TRANSMITTER- TRADITIONAL FLANGE



TRADITIONAL FLANGE PROCESS CONNECTION PER IEC 61518
2.126(54) ± .0121N CONNECTION CENTERS



1/4-18 NPT PROCESS CONNECTION
OR
1/2-14 NPT WITH OPTIONAL FLANGE ADAPTERS. ADAPTERS CAN BE ROTATED TO GIVE CONNECTION CENTERS OF 2.00(51), 2.126(54), OR 2.25(57)

ROSEMOUNT INC.
MINNEAPOLIS, MINN.

DR
ISSUE

THIS DRAWING WAS CREATED ON CAD. VELLUM MASTER IS NOT TO BE CHANGED. DRAWING IS ARCHIVED ON MAGNETIC TAPE FOR ECO CHANGES.
FILE NAME:

SIZE	FSCM.NO.	DRAWING NO.
A	04274	03031-1011
SCALE:	WT.	SHEET 2 OF 2