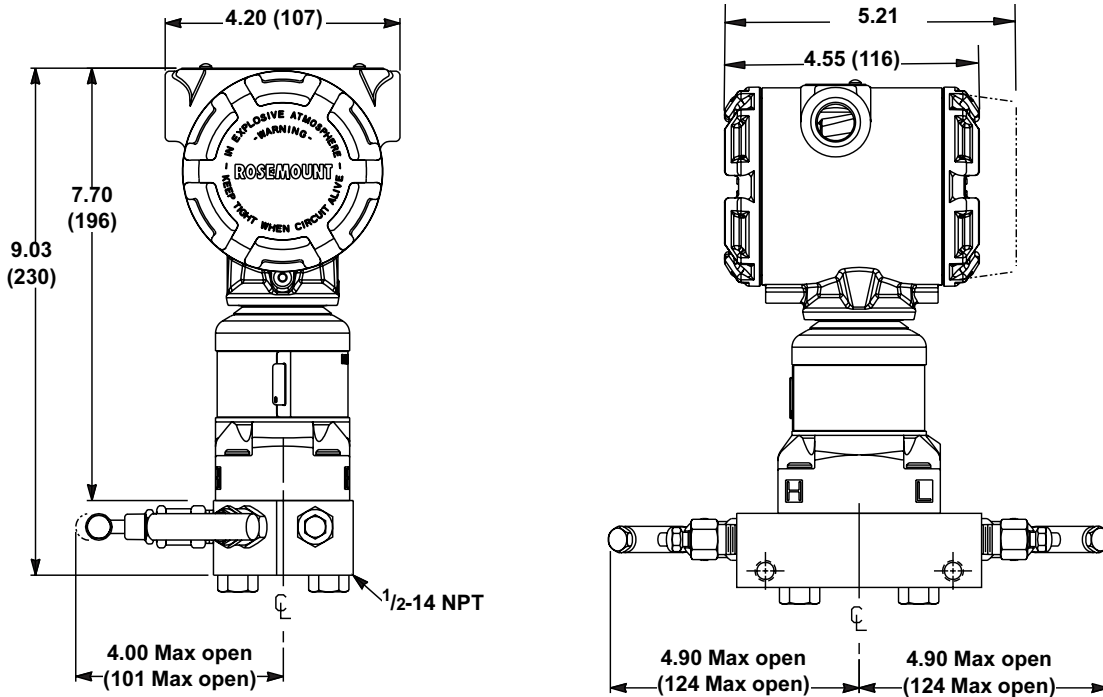


Dimensional Drawings

Dimensions are in inches (millimeters).

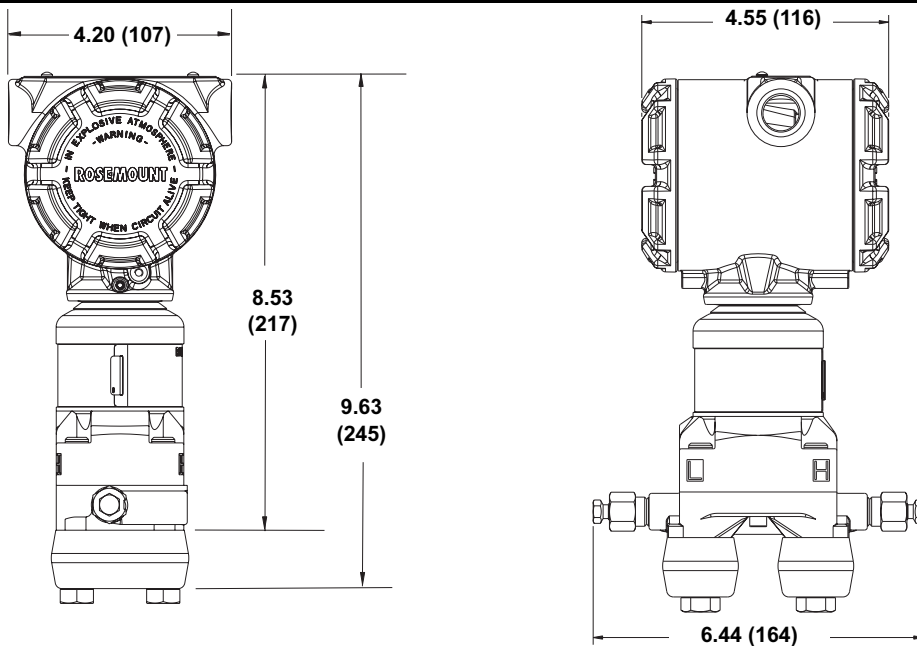
Process adapters (option D2) and Rosemount 305 integral manifolds must be ordered with the transmitter.

PlantWeb Housing with Coplanar SuperModule Platform and 305 Coplanar Integral Manifold



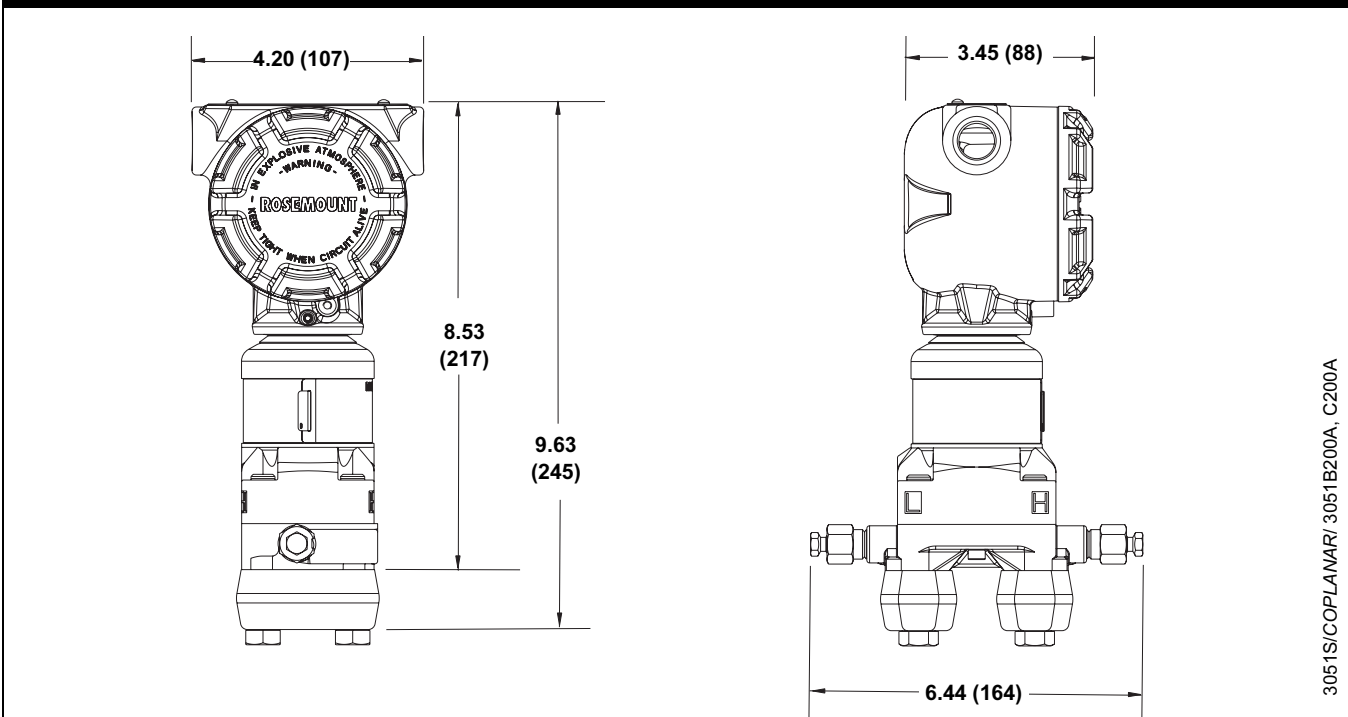
3051S/COPLANAR/3151_A01A, 3151_A01B

PlantWeb Housing with Coplanar SuperModule Platform and Coplanar Flange

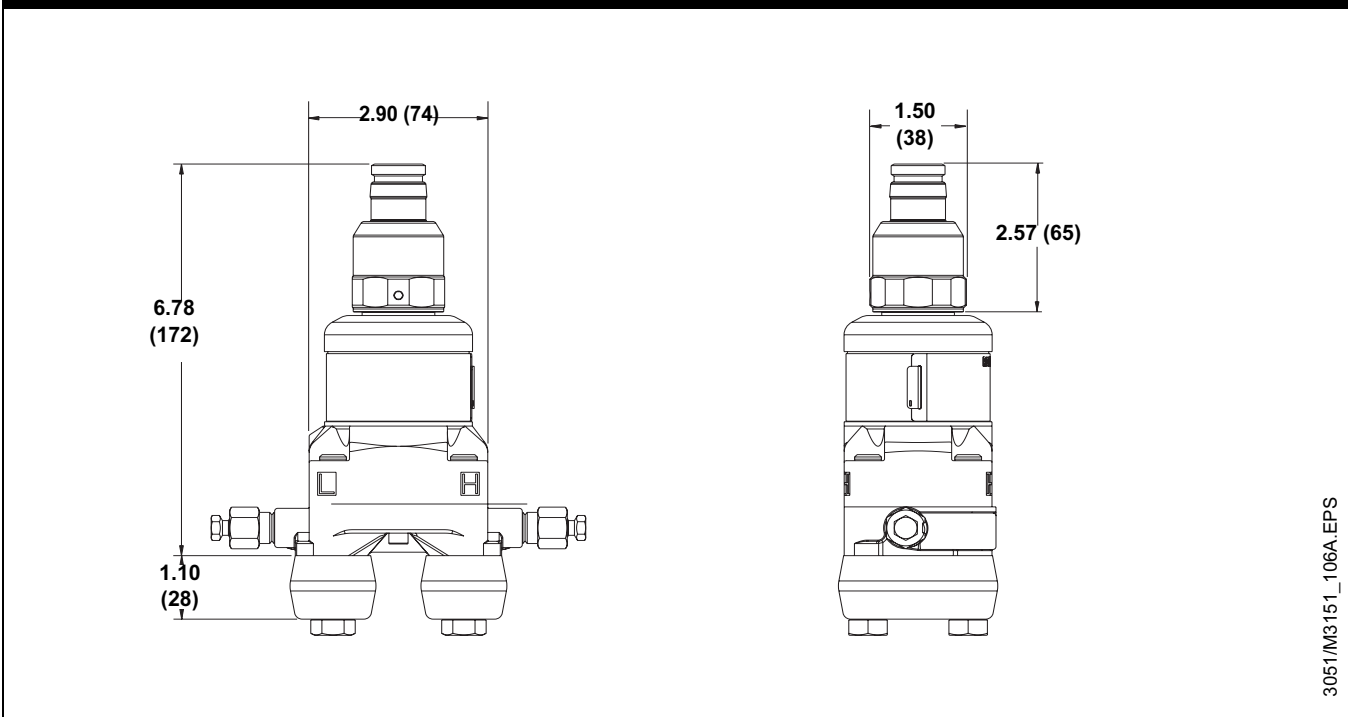


3051S/COPLANAR/3151_C101A, 3051_C200A

Junction Box Housing with Coplanar SuperModule Platform and Coplanar Flange



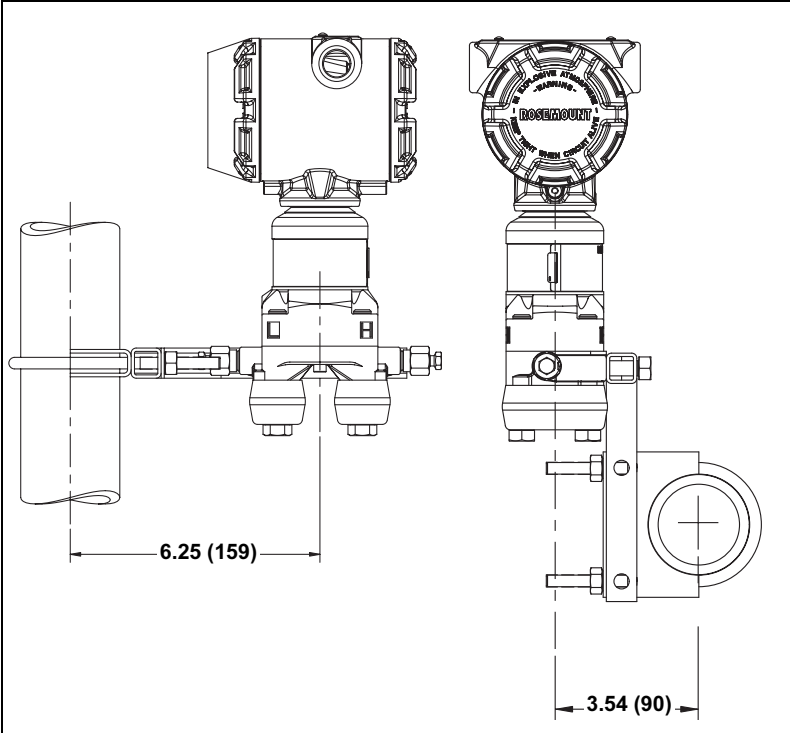
Quick Connect with Coplanar SuperModule Platform and Coplanar Flange



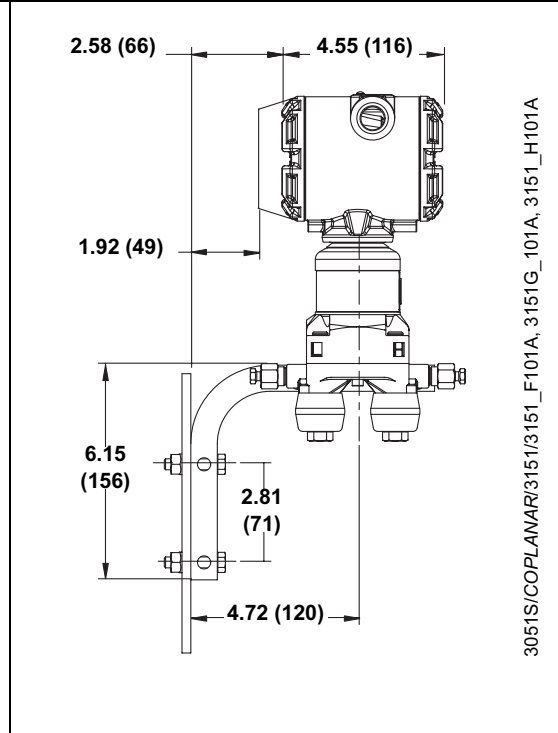
Rosemount 3051S Series

Coplanar Flange Mounting Configurations

Pipe Mount

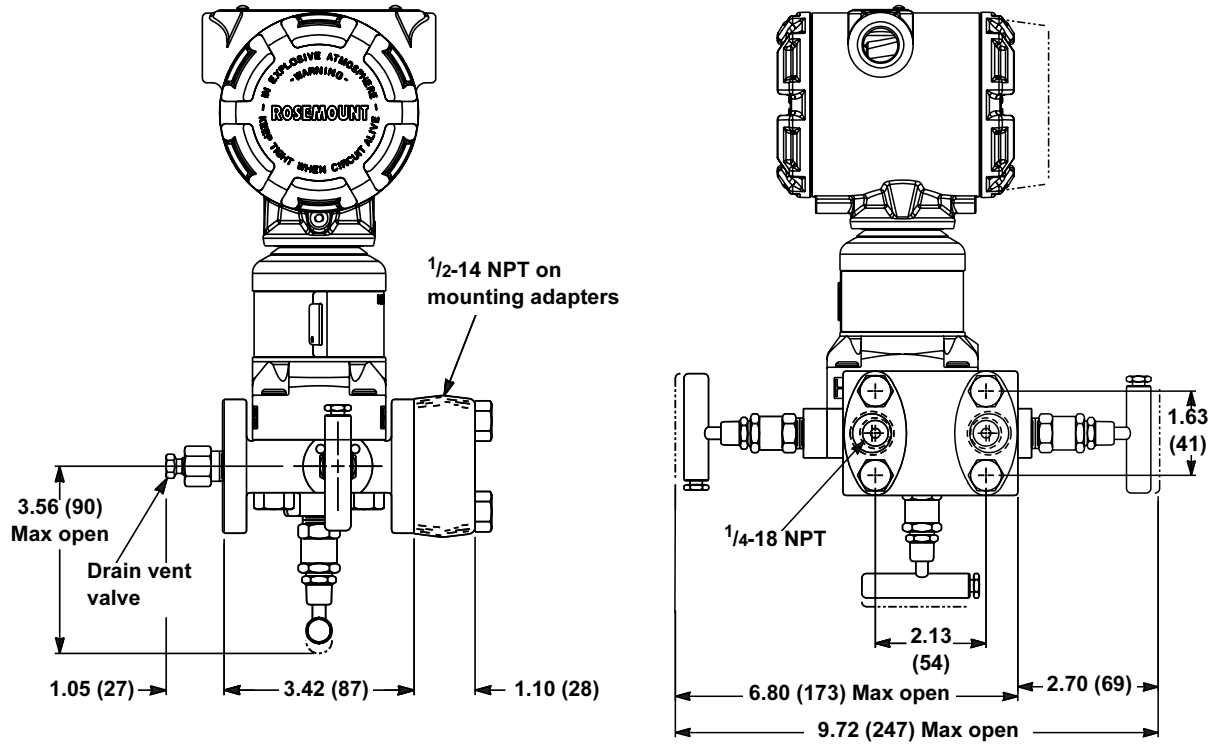


Panel Mount



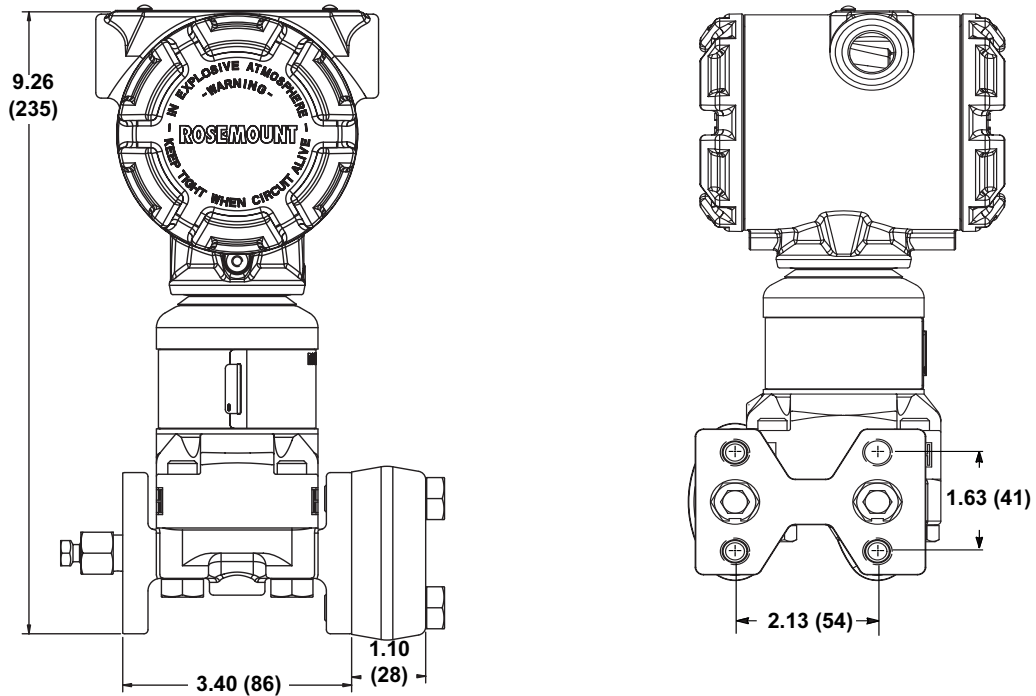
3051S/COPLANAR/3151/3151_F101A, 3151G_101A, 3151_H101A

PlantWeb Housing with Coplanar SuperModule Platform and 305 Traditional Integral Manifold



3051S/COPLANAR/3151_A01D, 3151_A01C

PlantWeb Housing with Coplanar SuperModule Platform and Traditional Flange

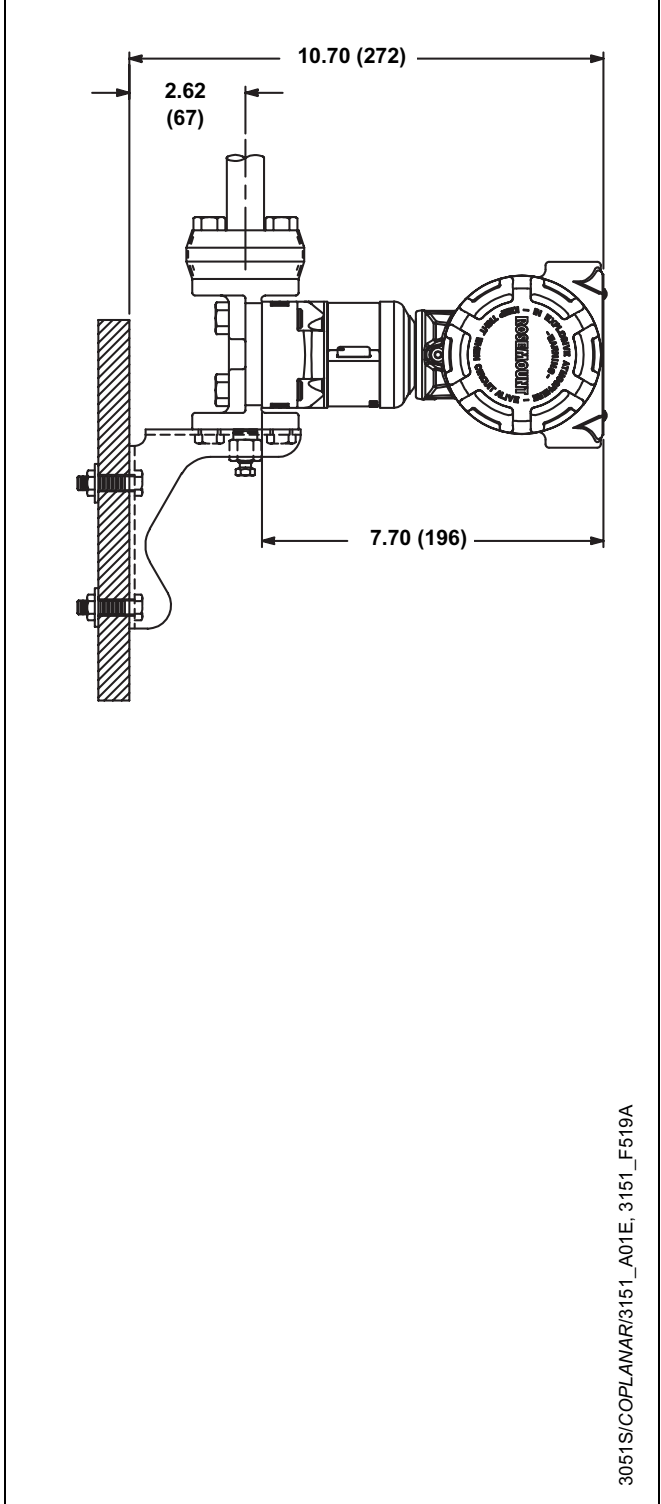
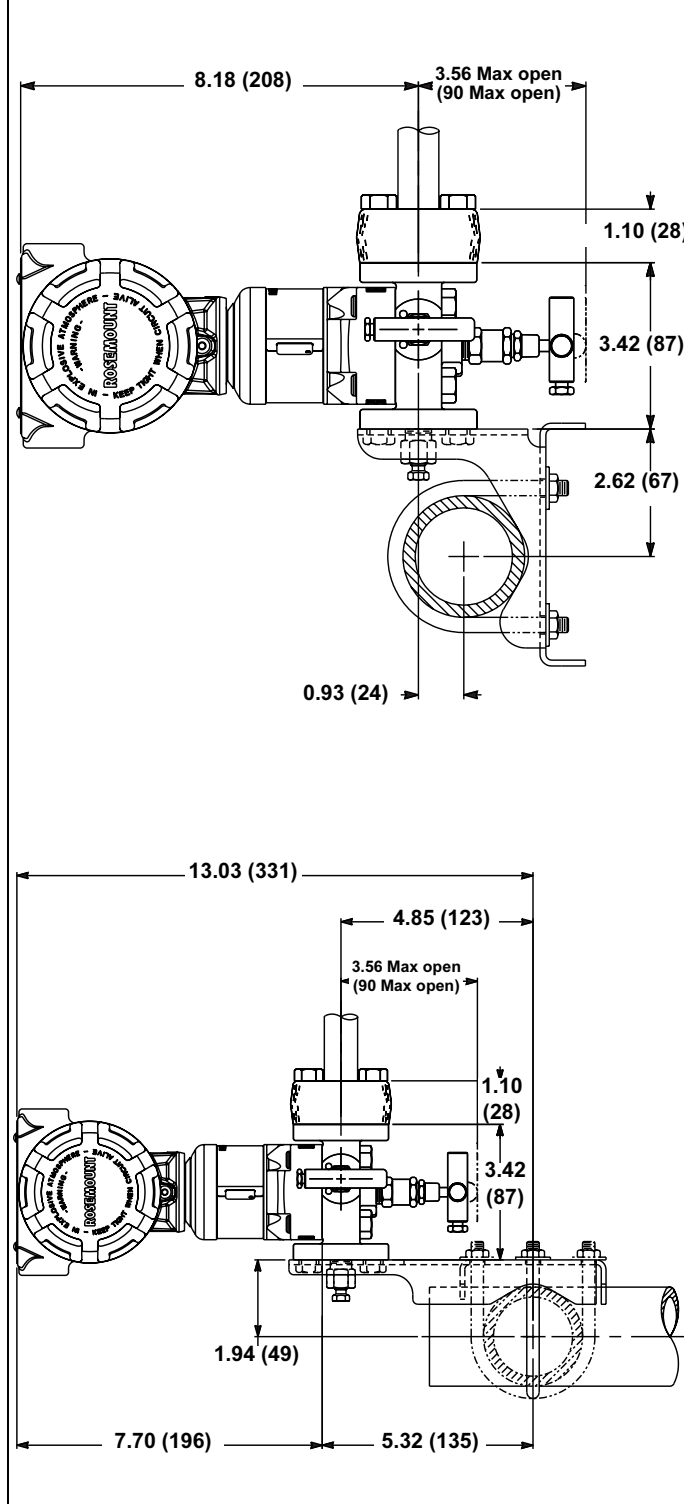


3051S/COPLANAR/3151_B102A, 3151_A102A

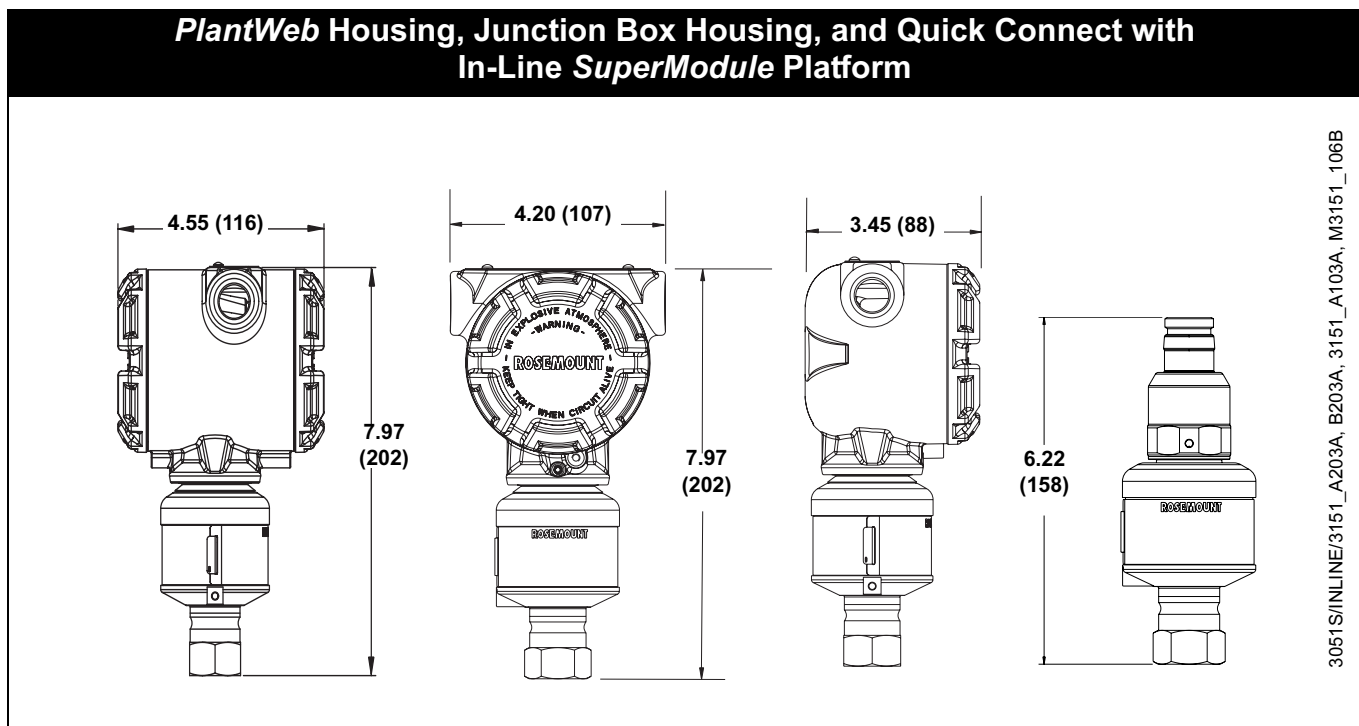
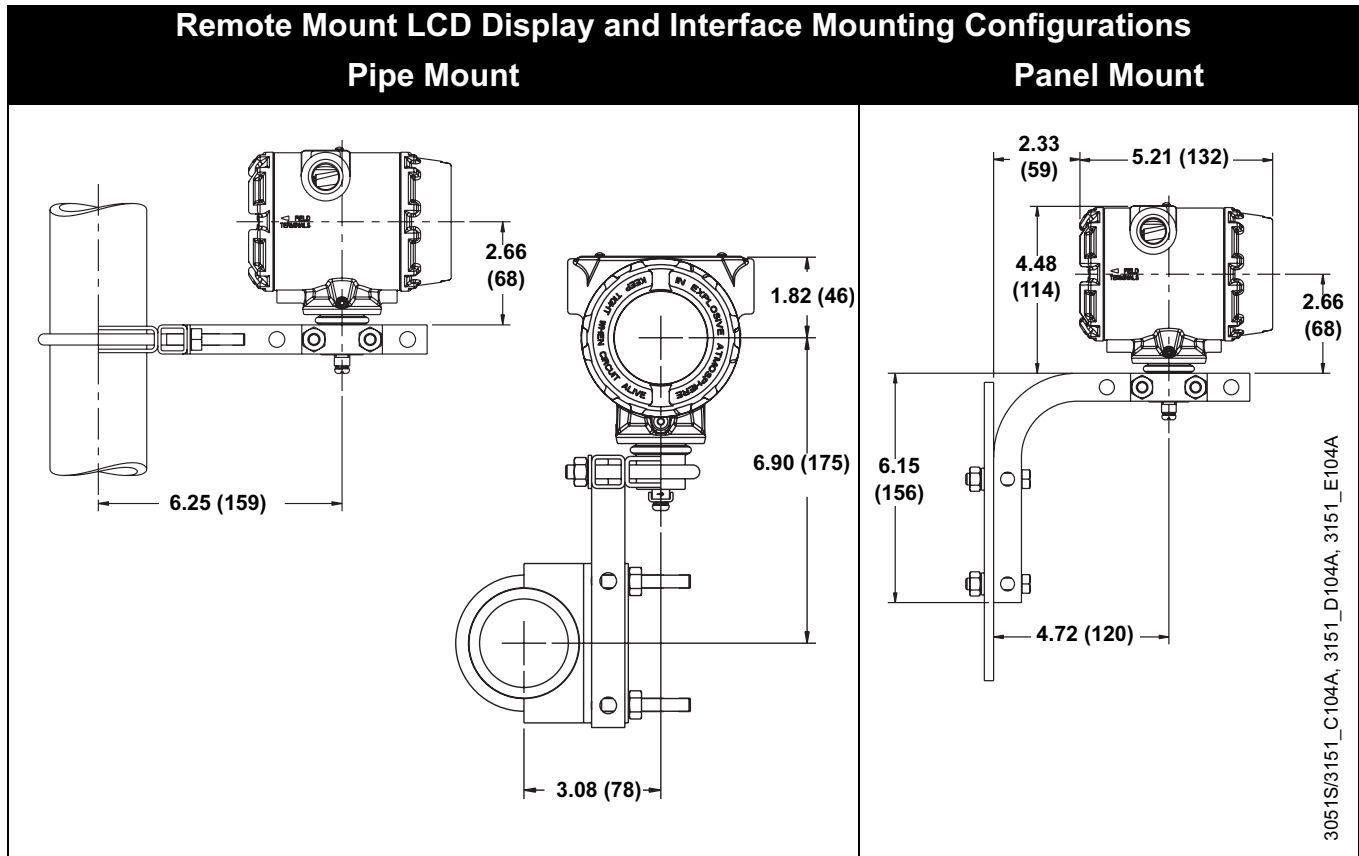
Traditional Flange Mounting Configurations

Pipe Mount 305 Integral Manifold

Panel Mount



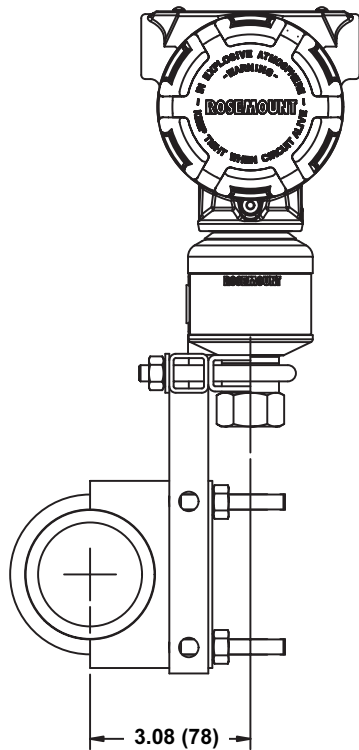
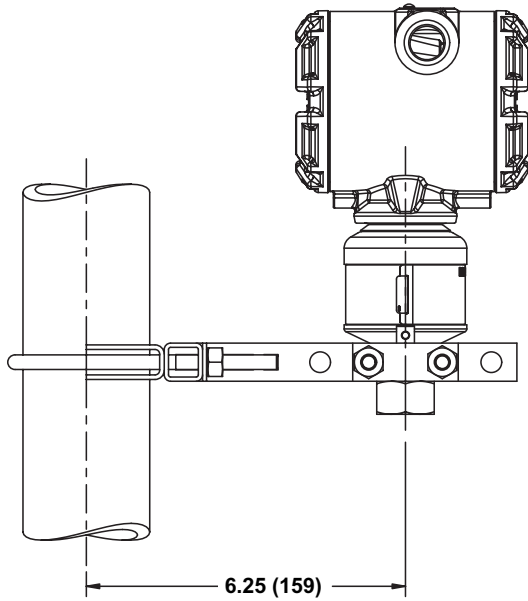
3051S/COPLANAR/3151_A01E, 3151_F519A



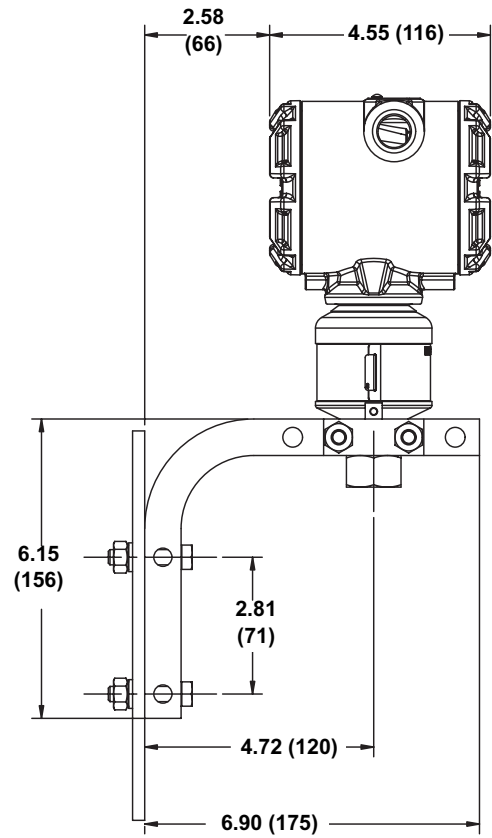
Rosemount 3051S Series

In-line Mounting Configurations with Optional Mounting Bracket

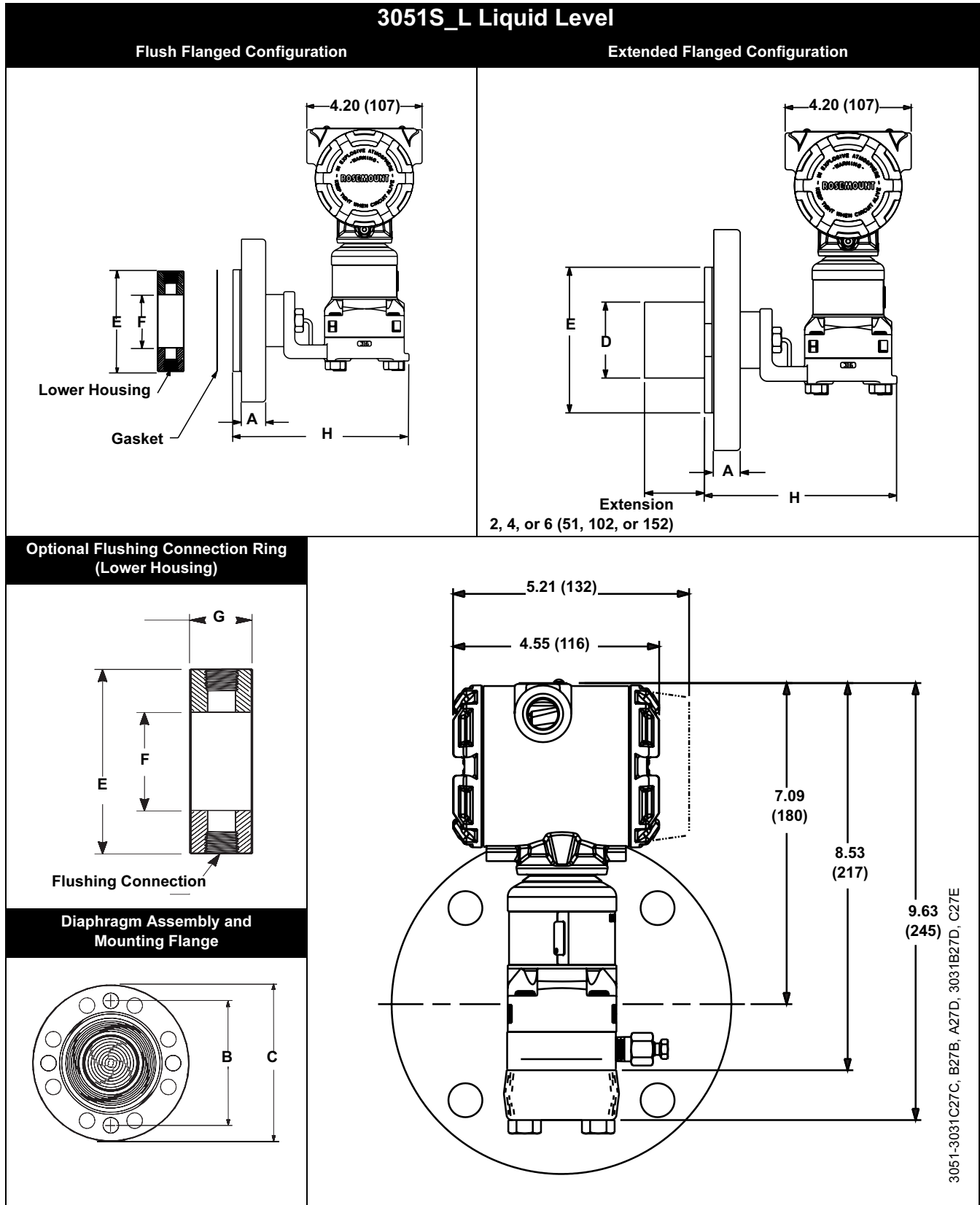
Pipe Mount



Panel Mount



3051S/INLINE/3151_A103A, B103A



Rosemount 3051S Series

TABLE 8. 3051S_L Dimensional Specifications

Except where indicated, dimensions are in inches (millimeters).

Class	Pipe Size	Flange Thickness A	Bolt Circle Diameter B	Outside Diameter C	No. of Bolts	Bolt Hole Diameter	Extension Diameter ⁽¹⁾ D	O.D. Gasket Surface E
ASME B16.5 (ANSI) 150	2 (51)	0.69 (18)	4.75 (121)	6.0 (152)	4	0.75 (19)	NA	3.6 (92)
	3 (76)	0.88 (22)	6.0 (152)	7.5 (191)	4	0.75 (19)	2.58 (66)	5.0 (127)
	4 (102)	0.88 (22)	7.5 (191)	9.0 (229)	8	0.75 (19)	3.5 (89)	6.2 (158)
ASME B16.5 (ANSI) 300	2 (51)	0.82 (21)	5.0 (127)	6.5 (165)	8	0.75 (19)	NA	3.6 (92)
	3 (76)	1.06 (27)	6.62 (168)	8.25 (210)	8	0.88 (22)	2.58 (66)	5.0 (127)
	4 (102)	1.19 (30)	7.88 (200)	10.0 (254)	8	0.88 (22)	3.5 (89)	6.2 (158)
ASME B16.5 (ANSI) 600	2 (51)	1.00 (25)	5.0 (127)	6.5 (165)	8	0.75 (19)	NA	3.6 (92)
	3 (76)	1.25 (32)	6.62 (168)	8.25 (210)	8	0.88 (22)	2.58 (66)	5.0 (127)
DIN 2501 PN 10–40	DN 50	20 mm	125 mm	165 mm	4	18 mm	NA	4.0 (102)
DIN 2501 PN 25/40	DN 80	24 mm	160 mm	200 mm	8	18 mm	65 mm	5.4 (138)
	DN 100	24 mm	190 mm	235 mm	8	22 mm	89 mm	6.2 (158)
DIN 2501 PN 10/16	DN 100	20 mm	180 mm	220 mm	8	18 mm	89 mm	6.2 (158)

Class	Pipe Size	Process Side F	Lower Housing G		
			1/4 NPT	1/2 NPT	H
ASME B16.5 (ANSI) 150	2 (51)	2.12 (54)	0.97 (25)	1.31 (33)	6.66 (169)
	3 (76)	3.6 (91)	0.97 (25)	1.31 (33)	6.66 (169)
	4 (102)	3.6 (91)	0.97 (25)	1.31 (33)	6.66 (169)
ASME B16.5 (ANSI) 300	2 (51)	2.12 (54)	0.97 (25)	1.31 (33)	6.66 (169)
	3 (76)	3.6 (91)	0.97 (25)	1.31 (33)	6.66 (169)
	4 (102)	3.6 (91)	0.97 (25)	1.31 (33)	6.66 (169)
ASME B16.5 (ANSI) 600	2 (51)	2.12 (54)	0.97 (25)	1.31 (33)	8.66 (219)
	3 (76)	3.6 (91)	0.97 (25)	1.31 (33)	8.66 (219)
DIN 2501 PN 10–40	DN 50	2.4 (61)	0.97 (25)	1.31 (33)	6.66 (169)
DIN 2501 PN 25/40	DN 80	3.6 (91)	0.97 (25)	1.31 (33)	6.66 (169)
	DN 100	3.6 (91)	0.97 (25)	1.31 (33)	6.66 (169)
DIN 2501 PN 10/16	DN 100	3.6 (91)	0.97 (25)	1.31 (33)	6.66 (169)

(1) Tolerances are 0.040 (1,02), -0.020 (0,51).