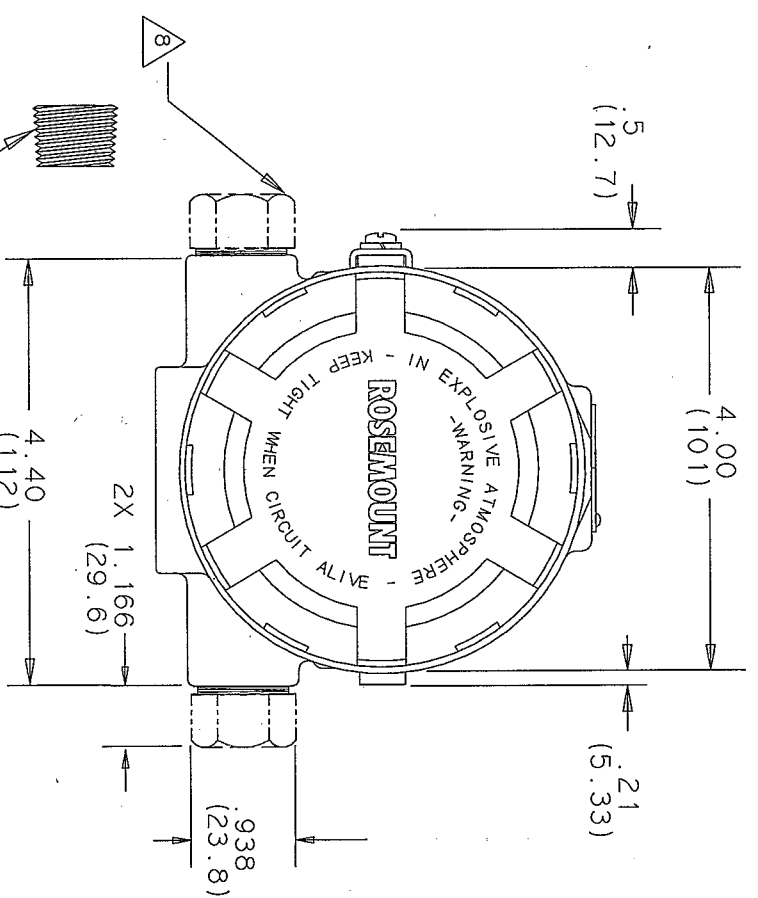
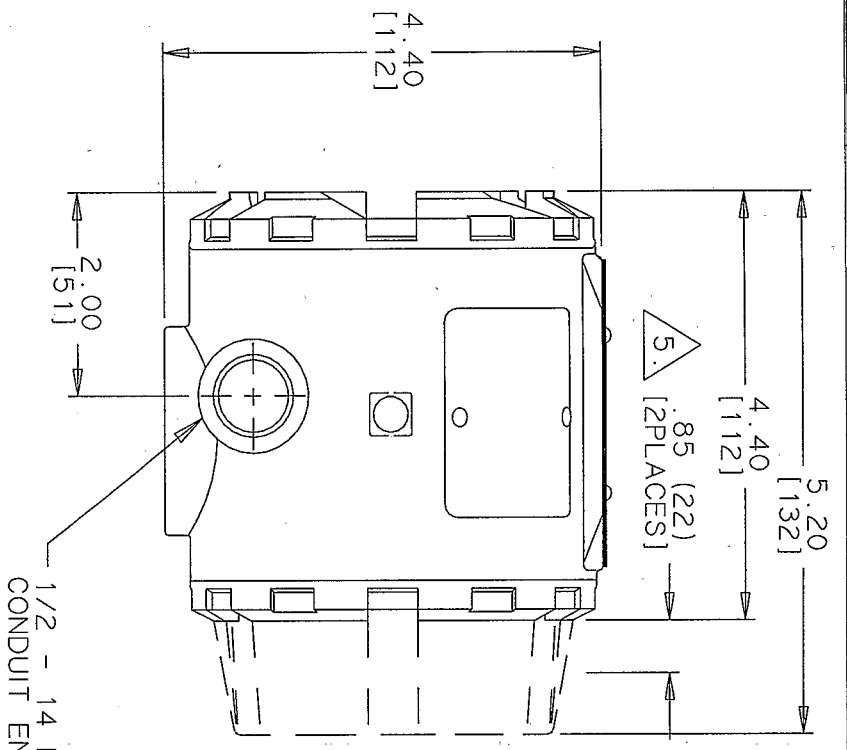


REVISIONS			
REV	DESCRIPTION	CHG. NO.	APP. D. DATE
AD	ADD 3244M/W PROFIBUS	RTC1008144	



**NOTES:**

- ROSEMOUNT INC. CERTIFIES THAT THIS DRAWING IS IN ACCORDANCE WITH ROSEMOUNT ENGINEERING SPECIFICATIONS AND ACCURATELY REPRESENTS THE EQUIPMENT FURNISHED.
- DIMENSIONS SHOWN IN PARENTHESES ARE IN MILLIMETERS.
- FOR MODEL NUMBER SELECTION, SEE TABLE 1.
- TEMPERATURE LIMITS:  
 AMBIENT (OPERATING):  
 -40 TO 185°F (-40 TO 85°C)  
 -4 TO 185°F (-20 TO 85°C) FOR TRANSMITTERS WITH LCD OPTION  
 STORAGE (NON-OPERATING):  
 -60 TO 250°F (-50 TO 120°C)  
 -50 TO 185°F (-45 TO 85°C) FOR TRANSMITTERS WITH LCD OPTION
- TYPICAL CLEARANCE DIMENSION REQUIRED FOR COVER REMOVAL.
- FOR OPTIONAL MOUNTING CONFIGURATIONS SEE DETAIL C AND D.
- WEIGHT: ALUMINUM TRANSMITTER 3.2LB (1.4KG)  
 STAINLESS STEEL TRANSMITTER 7.9LB (3.6KG)  
 ADD 0.3LB (0.1KG) FOR LCD METER OPTION  
 ADD 0.7LB (0.3KG) FOR B4 OPTION  
 ADD 1.5LB (0.7KG) FOR B5 OPTION
- TRANSMITTER WITH CM20 THREAD ADAPTERS (OPTIONAL)

THIS DRAWING WAS CREATED ON CAD. YELLUM MASTER IS NOT TO BE CHANGED. DRAWING IS ARCHIVED ON MAGNETIC TAPE FOR ECO CHANGES.  
 FILE NAME: \_

UNLESS OTHERWISE SPECIFIED DIMENSIONS IN INCHES

-TOLERANCE-	
DECIMALS	FRACTIONS
.X ± .1	± 1/32
.XX ± .02	ANGLES
.XXX ± .010	± 2°

DO NOT SCALE PRINT

DR. JOHN ARISTONIG	11/18/93	<b>ROSEMOUNT</b> INC. CHANNASSEN, MINNESOTA
APP'D		TITLE CERTIFIED INSTALLATION DRAWING
APP'D		FOR MODEL 3144 AND 3244M/W (F. W)
APP'D		TEMPERATURE TRANSMITTER
APP'D		SIZE FSGM NO. 04274
APP'D		DRAWING NO. 03144-0011
APP'D		SCALE: NONE
APP'D		SHEET 1 OF 7

TABLE 1 - MODEL SELECTION

MODEL 3144D 3244MY	SMART TEMPERATURE TRANSMITTER WITH DUAL SENSOR INPUT AND HART DIGITAL SIGNAL	SMART TEMPERATURE TRANSMITTER WITH HART DIGITAL SIGNAL	SMART TEMPERATURE TRANSMITTER WITH DUAL SENSOR INPUT AND HART DIGITAL SIGNAL
CODE	HOUSING	CONDUIT THREAD	
1	ALUMINIUM	1/2-14 NPT	
2	ALUMINIUM	M 20 X 1.5 (CM20)	
3	ALUMINIUM	PG 13.5 (PG11)	
4	ALUMINIUM	JIS G 1/2	
5	STAINLESS STEEL	1/2-14 NPT	
6	STAINLESS STEEL	M20 X 1.5 (CM20)	
7	STAINLESS STEEL	PG13.5 (PG11)	
8	STAINLESS STEEL	JIS G 1/2	
CODE	HAZARDOUS LOCATIONS CERTIFICATIONS		
E5	FM EXPLOSION-PROOF APPROVAL		
K5	FM INTRINSIC SAFETY, NON-INCENDIVE AND EXPLOSION-PROOF APPROVAL COMBINATION		
KB	FM AND CSA EXPLOSION-PROOF AND INTRINSIC SAFETY APPROVAL COMBINATION		
C6	CSA INTRINSIC SAFETY, NON INCENDIVE AND EXPLOSION-PROOF APPROVAL COMBINATION		
E9	ISSEP/ CENELEC FLAMEPROOF APPROVAL		
N1	BASEFA TYPE N APPROVAL		
I1	BASEFA/ CENELEC INTRINSIC SAFETY APPROVAL		
E7	SAA FLAMEPROOF APPROVAL		
N7	SAA TYPE n APPROVAL		
I7	SAI INTRINSIC SAFETY APPROVAL		
IE	CEPEL INTRINSIC SAFETY APPROVAL		
E4	JIS FLAMEPROOF APPROVAL		
NA	NO APPROVAL REQUIRED		
CODE	OPTIONS		
A1	ANALOG OUTPUT LEVELS COMPLIANT WITH NAMAR RECOMMENDATION NE-43, 27-JUNE-1996.		
B4	UNIVERSAL MOUNTING BRACKET FOR 2" PIPE AND PANEL MOUNTING WITH SST BRACKET AND BOLTS.		
B5	UNIVERSAL "L" MOUNTING BRACKET FOR 2-INCH PIPE MOUNTING-SST BRACKET AND BOLTS		
C1	FACTORY CONFIGURATION OF DATE, DESCRIPTOR, AND MESSAGE FIELDS		
C2	TRIM TO SPECIFIC ROSEMOUNT RTD CALIBRATION SCHEDULE (TRANSMITTER-SENSOR MATCHING)		
C4	5-POINT CALIBRATION (USE OPTION Q4 TO GENERATE A CALIBRATION CERTIFICATE)		
C7	TRIM TO SPECIAL NON-STANDARD SENSOR		
CN	ANALOG OUTPUT LEVELS COMPLIANT WITH NAMAR RECOMMENDATION NE-43, 27-JUNE-1996, ALARM CONFIGURATION-LOW.		
F5	50 HZ LINE VOLTAGE FILTER		
G1	EXTERNAL GROUND LUG ASSEMBLY		
M5	LCD METER		
O4	CALIBRATION CERTIFICATE (3-POINT STANDARD, USE C4 WITH Q4 OPTION FOR A 5-POINT CALIBRATION CERTIFICATE)		
T1	INTEGRAL TRANSIENT PROTECTOR		
U1	* HOT BACKUP		
U2	* AVERAGE TEMPERATURE WITH HOT BACKUP AND DRIFT ALERT		
U4	* TWO INDEPENDENT SENSORS		
U5	* DIFFERENTIAL TEMPERATURE		
U6	* AVERAGE TEMPERATURE		
X1	ASSEMBLE TRANSMITTER TO A SENSOR ASSEMBLY (HAND TIGHT, TEFLON TAPE WHERE APPROPRIATE, FULLY WIRED)		
X2	ASSEMBLE TRANSMITTER TO A SENSOR ASSEMBLY (HAND TIGHT, NO TEFLON TAPE, UNWIRED)		
X3	ASSEMBLE TRANSMITTER TO A SENSOR ASSEMBLY (WRENCH TIGHT, TEFLON TAPE WHERE APPROPRIATE, FULLY WIRED)		

NOTE: OPTIONS MARKED WITH \* ARE NOT AVAILABLE WITH THE 3144.

<b>ROSEMOUNT</b> <sup>®</sup> INC.			
MINNEAPOLIS, MINN.			
DR	SIZE	FSQM NO.	DRAWING NO.
ISSUE	A	04274	03144-0011
	SCALE:	WT.	SHEET 2 OF 7

THIS DRAWING WAS CREATED ON CAD VELLUM MASTER IS NOT TO BE CHANGED FOR ECO CHANGES.

TABLE 1 - MODEL SELECTION

MODEL	TEMPERATURE TRANSMITTER WITH DUAL SENSOR INPUT AND FOUNDATION FIELDBUS DIGITAL SIGNAL	
3244MVF	TEMPERATURE TRANSMITTER WITH DUAL SENSOR INPUT ANF PROFIBUS PA DIGITAL SIGNAL	
3244MVW	TEMPERATURE TRANSMITTER WITH DUAL SENSOR INPUT ANF PROFIBUS PA DIGITAL SIGNAL	
CODE	HOUSING	CONDUIT THREAD
1	ALUMINUM	1/2-14 NPT
2	ALUMINUM	M20 X 1.5 (CM20)
3	ALUMINUM	Pg 13.5 (Pg11)
4	ALUMINUM	JIS G 1/2
5	STAINLESS STEEL	1/2-14 NPT
6	STAINLESS STEEL	M20 X 1.5 (CM20)
7	STAINLESS STEEL	Pg13.5 (Pg11)
8	STAINLESS STEEL	JIS G 1/2
CODE	HAZARDOUS LOCATIONS CERTIFICATIONS	
E5	FM EXPLOSION-PROOF AND NON-INCENDIVE APPROVAL	
I5	FM INTRINSIC SAFETY AND NON-INCENDIVE FIELD CIRCUIT APPROVAL	
K5	FM INTRINSIC SAFETY, EXPLOSION PROOF, AND NON-INCENDIVE APPROVAL COMBINATION	
E6	CSA EXPLOSION-PROOF AND NON-INCENDIVE APPROVAL	
I6	CSA INTRINSIC SAFETY AND NON-INCENDIVE FIELD CIRCUIT APPROVAL	
O6	CSA INTRINSIC SAFETY, EXPLOSION PROOF, AND NON-INCENDIVE APPROVAL COMBINATION	
KB	FM AND CSA INTRINSIC SAFETY, EXPLOSION PROOF, AND NON-INCENDIVE APPROVAL COMBINATION	
E9	ISSEP/GENELEC FLAMEPROOF APPROVAL	
N1	BASEEFA/GENELEC TYPE N APPROVAL	
I1	BASEEFA/GENELEC INTRINSIC SAFETY APPROVAL	
NA	NO APPROVAL REQUIRED	
CODE	OPTIONS	
A01	* BASIC CONTROL: TWO PROPORTIONAL/INTEGRAL/DERIVATIVE (PID) FUNCTION BLOCKS	
B01	* REGULATORY CONTROL SUITE: PRECONFIGURED AS 2 PID, 1 SIGNAL CHARACTERIZER, AND 1 ARITHMETIC FUNCTION BLOCKS	
B4	UNIVERSAL MOUNTING BRACKET FOR 2" PIPE AND PANEL MOUNTING WITH SST BRACKET AND BOLTS.	
B5	UNIVERSAL "L" MOUNTING BRACKET FOR 2-INCH PIPE MOUNTING-SST BRACKET AND BOLTS	
M5	LCD METER	
G1	EXTERNAL GROUND LUG ASSEMBLY	
U1	* HOT BACKUP	
U4	TWO INDEPENDENT SENSORS	
U5	DIFFERENTIAL TEMPERATURE	
U6	* AVERAGE TEMPERATURE	
U7	* FIRST GOOD TEMPERATURE	
U8	* MINIMUM TEMPERATURE	
U9	* MAXIMUM TEMPERATURE	
C1	FACTORY CONFIGURATION OF DATE, DESCRIPTOR, AND MESSAGE FIELDS	
C2	TRIM TO SPECIFIC ROSEMOUNT RTD CALIBRATION SCHEDULE (TRANSMITTER-SENSOR MATCHING)	
C4	5-POINT CALIBRATION (USE OPTION 04 TO GENERATE A CALIBRATION CERTIFICATE)	
C7	* TRIM TO SPECIAL NON-STANDARD SENSOR	
F5	50 HZ LINE VOLTAGE FILTER	
X1	ASSEMBLE TRANSMITTER TO A SENSOR ASSEMBLY (HAND TIGHT, TEFLON TAPE WHERE APPROPRIATE, FULLY WIRED)	
X2	ASSEMBLE TRANSMITTER TO A SENSOR ASSEMBLY (HAND TIGHT, NO TEFLON TAPE, UNWIRED)	
X3	ASSEMBLE TRANSMITTER TO A SENSOR ASSEMBLY (WRENCH TIGHT, TEFLON TAPE WHERE APPROPRIATE, FULLY WIRED)	
04	CALIBRATION CERTIFICATE (3-POINT STANDARD: USE C4 WITH 04 OPTION FOR A 5-POINT CALIBRATION CERTIFICATE)	

3244MVF 1 E5 A01 TYPICAL MODEL NUMBER

NOTE: OPTIONS MARKED WITH (\*) ARE NOT AVAILABLE WITH THE 3244MVW

03144-0010 rev AD  
**ROSEMOUNT** INC.  
 MINNEAPOLIS, MINN.

DR ISSUE

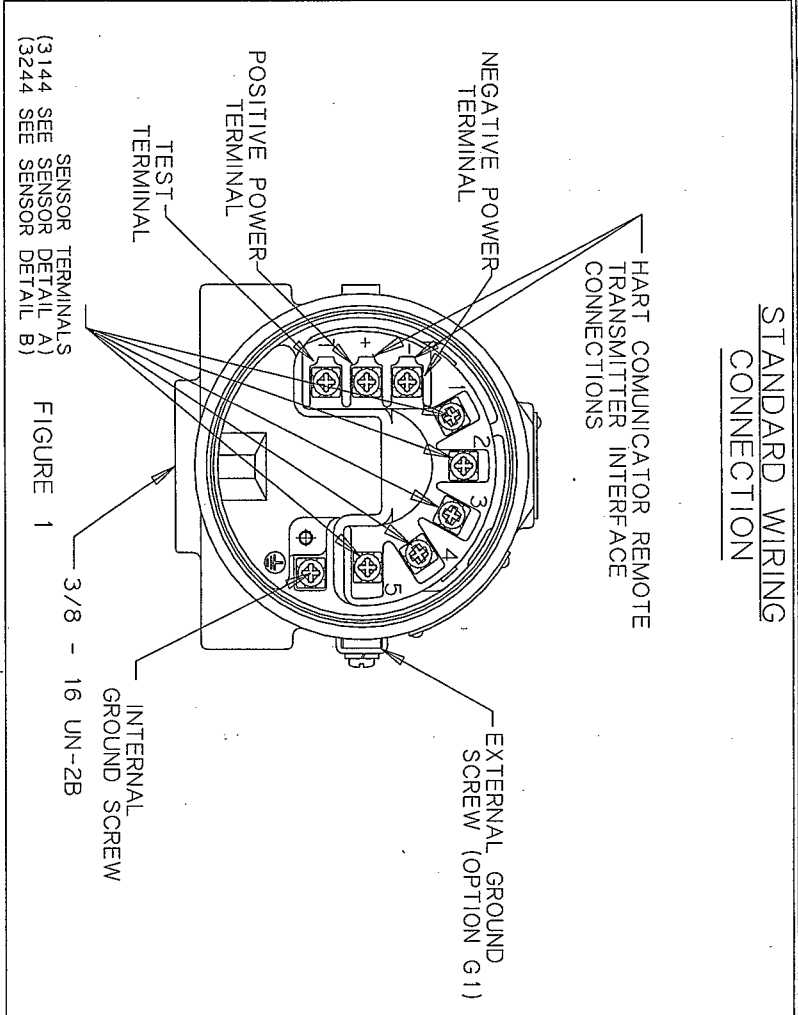
THIS DRAWING WAS CREATED ON CAD. VELLUM MASTER IS NOT TO BE CHANGED FOR ECO CHANGES.

FILE NAME: A 04274

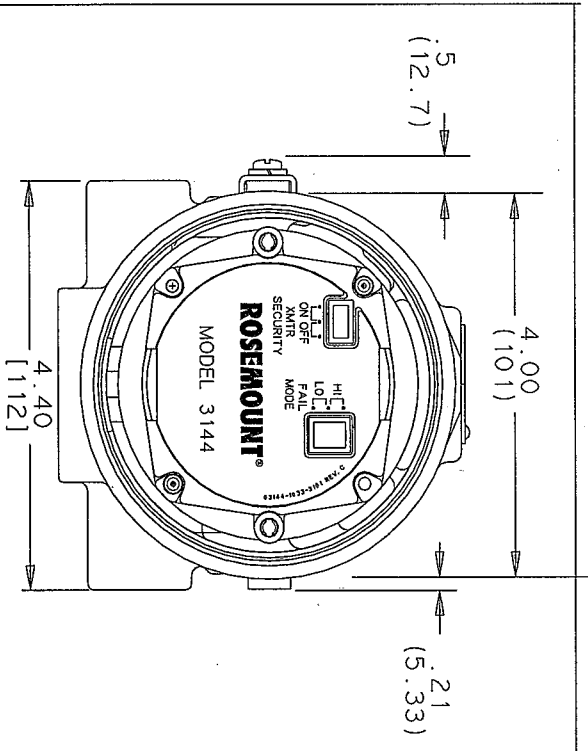
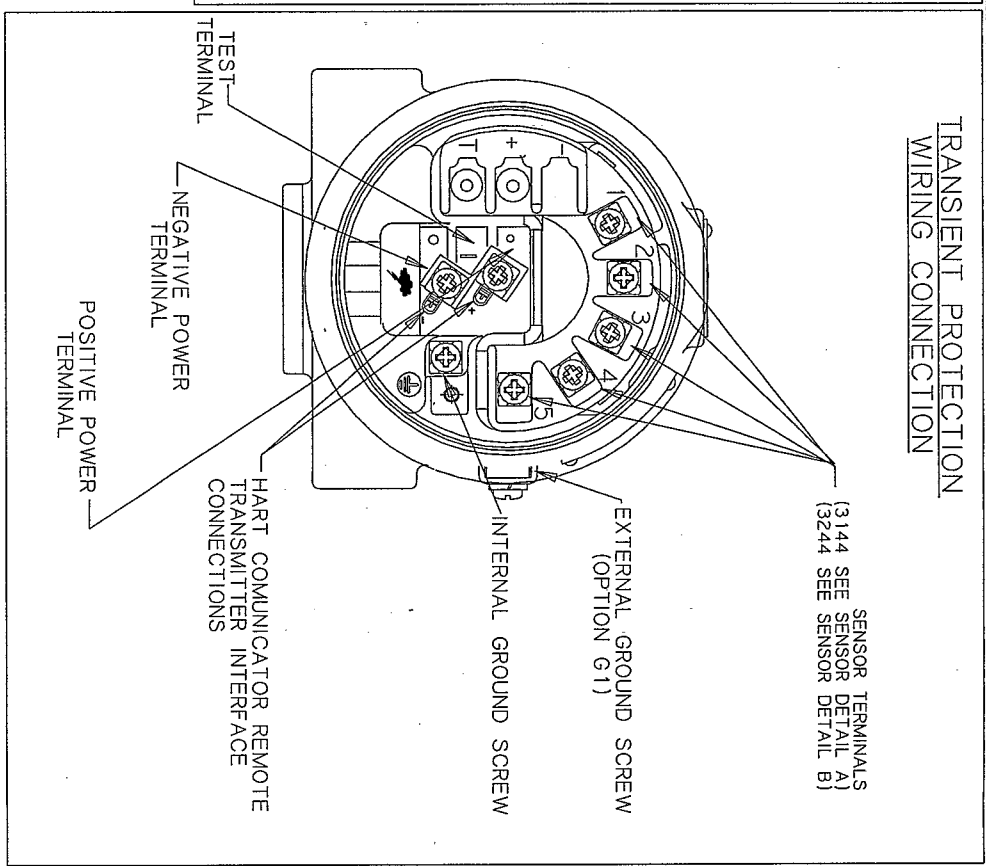
SIZE FSCM NO. DR 04274

SCALE: WT. DRAWING NO. 03144-0011 SHEET 3 OF 7

**STANDARD WIRING CONNECTION**



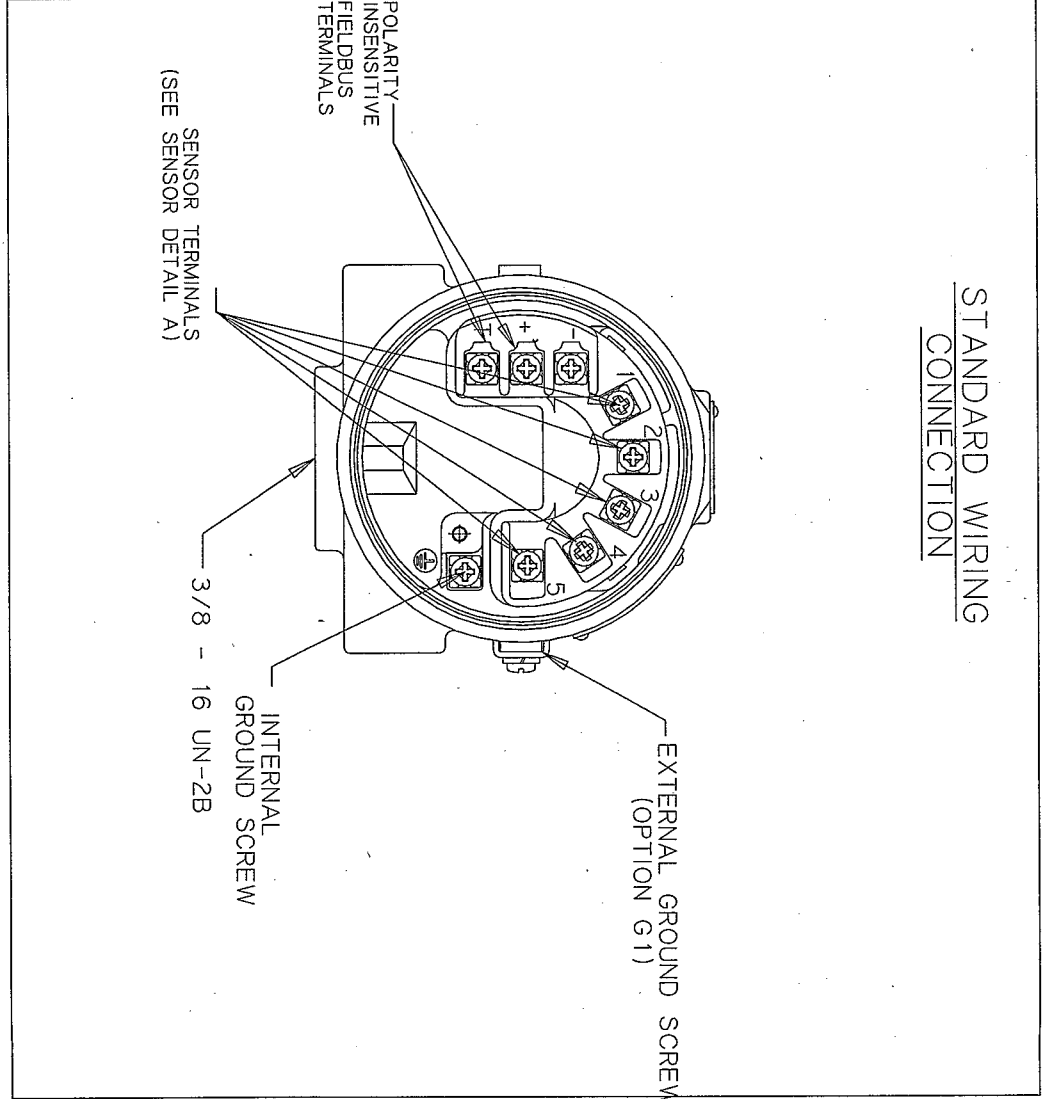
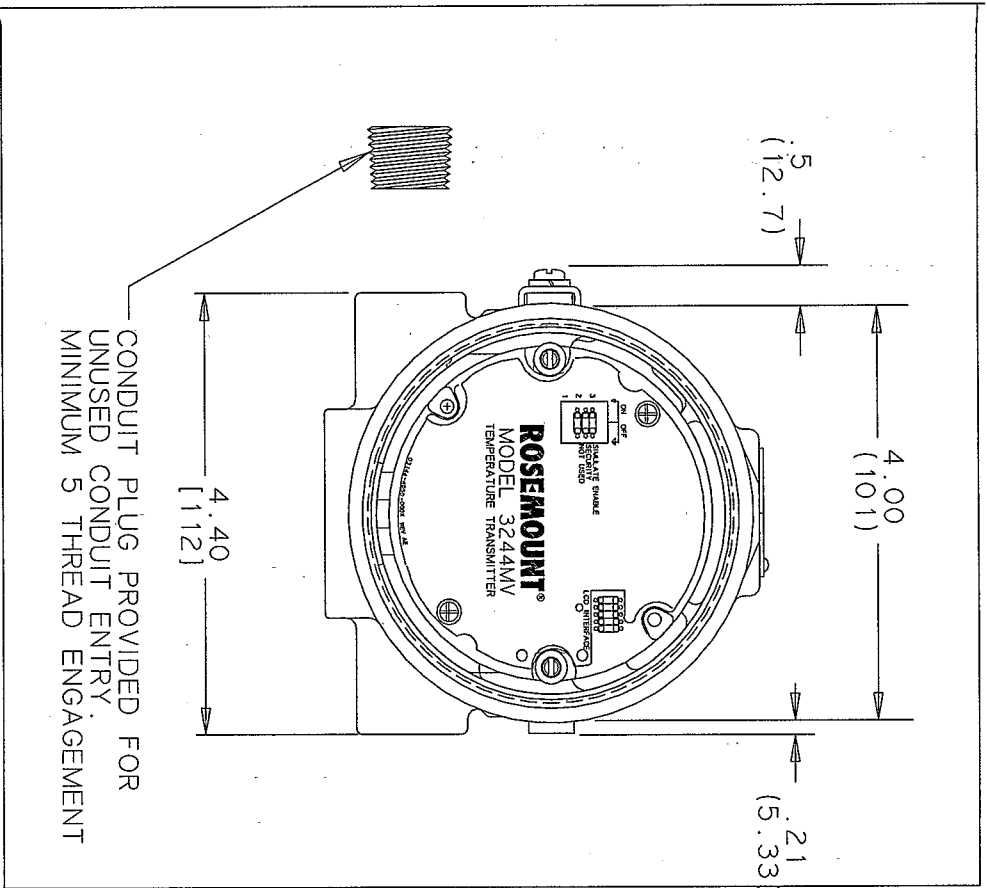
**TRANSIENT PROTECTION WIRING CONNECTION**



MODEL 3144 AND 3244MV

<b>ROSEMOUNT</b> INC. MINNEAPOLIS, MINN.		THIS DRAWING WAS CREATED ON CAD. VELLUM MASTER IS NOT TO BE CHANGED FOR ECO CHANGES.	
DR	SIZE	FILE NAME:	DRAWING NO.
ISSUE	A	04274	03144-0011
	SCALE:	WT.	SHEET 4 OF 6

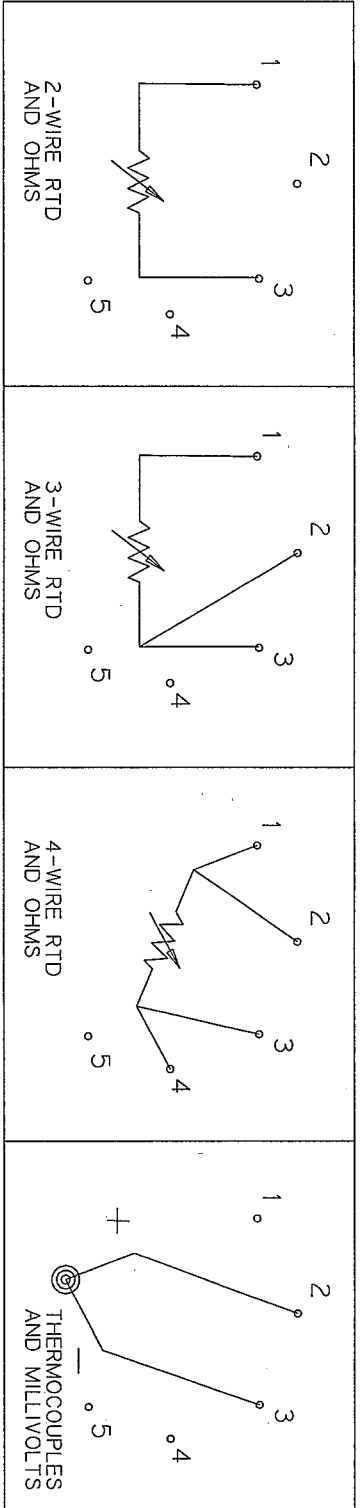
MODEL 3244MVF AND 3244MWW



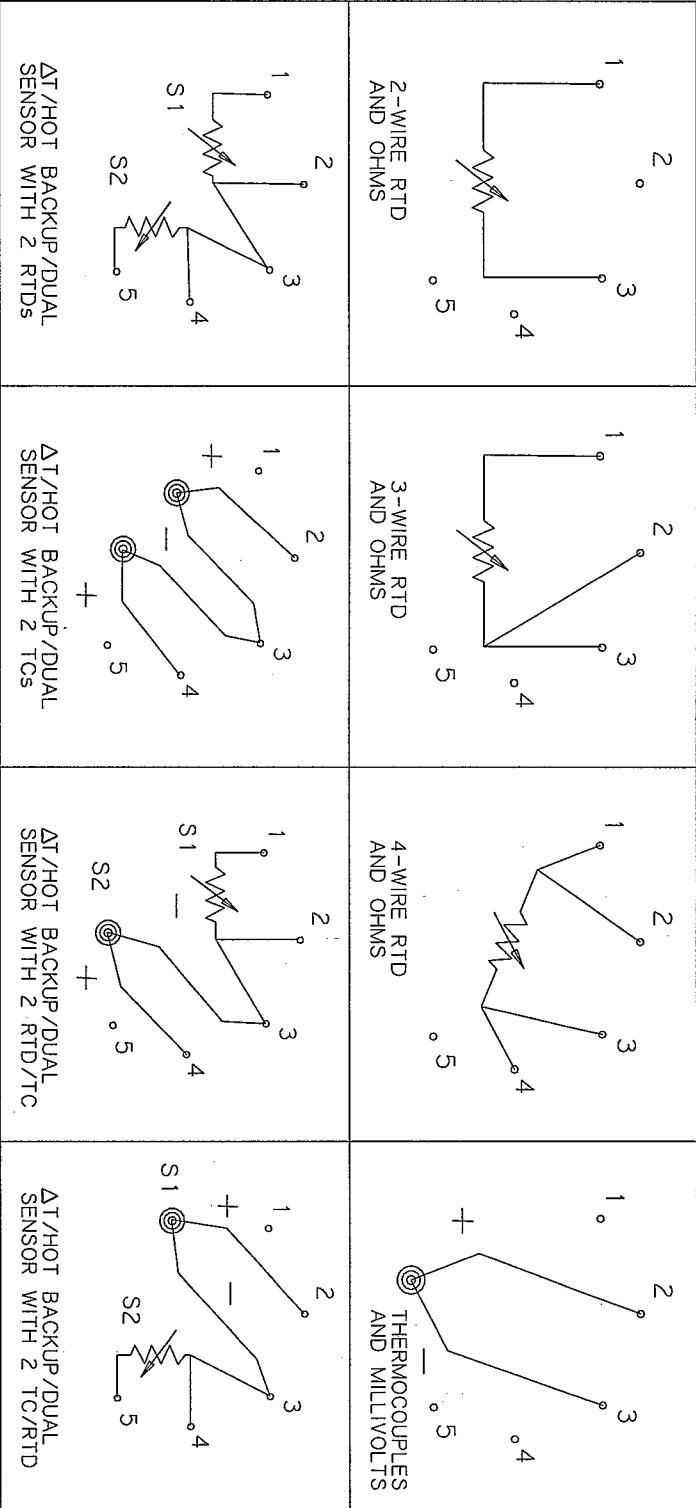
STANDARD WIRING CONNECTION

03144-0010 rev AD		THIS DRAWING WAS CREATED ON CAD. VELLUM MASTER IS NOT TO BE CHANGED. DRAWING IS ARCHIVED ON MAGNETIC TAPE FOR ECO CHANGES.	
<b>ROSEMOUNT</b> INC.		FILE NAME:	
MINNEAPOLIS, MINN.		SIZE FSCM NO. DRAWING NO. 03144-0011	
DR	A	04274	
ISSUE	SCALE:	WT.	SHEET 5 OF 7

DETAIL "A" 3144 SENSOR CONNECTIONS



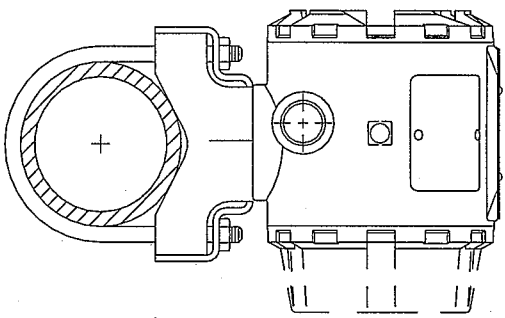
DETAIL "B" 3244MV AND 3244MVF SENSOR CONNECTIONS



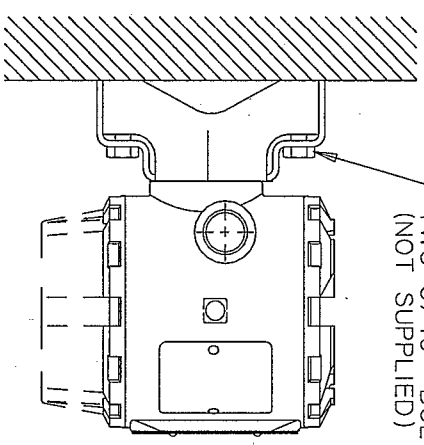
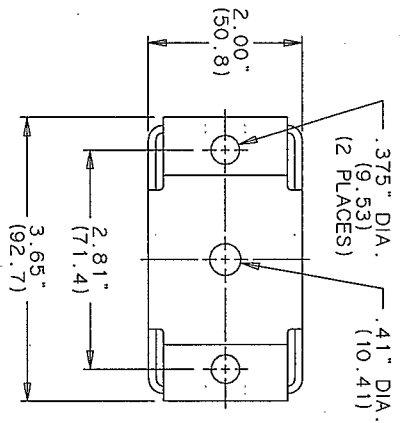
THIS DRAWING WAS CREATED ON CAD. VELLUM MASTER IS NOT TO BE CHANGED. DRAWING IS ARCHIVED ON MAGNETIC TAPE FOR ECO CHANGES.

**ROSEMOUNT** INC.  
MINNEAPOLIS, MINN.

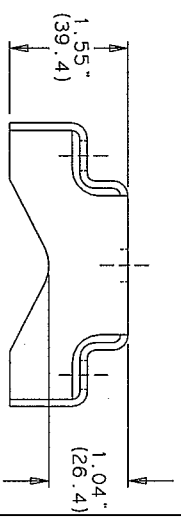
SIZE: FSCM NO. 03144-0011  
DR A 04274  
SCALE: WT. SHEET 6 OF 7



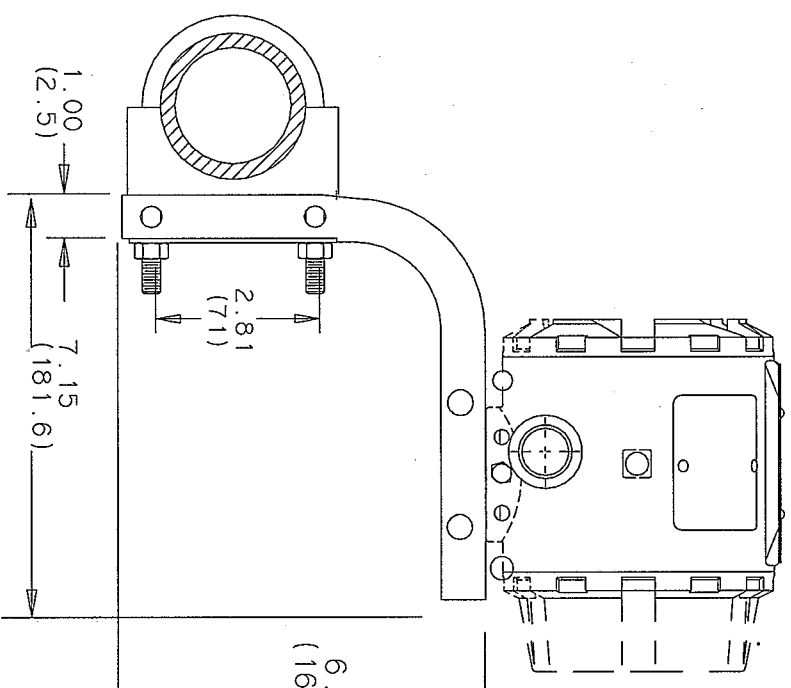
PIPE MOUNT



PANEL MOUNT  
TWO 5/16" BOLTS REQUIRED  
(NOT SUPPLIED)



DETAIL "C" - OPTION CODE B4 BRACKET



DETAIL "D" OPTION CODE B5 BRACKET

THIS DRAWING WAS CREATED ON CAD.  
VELLUM MASTER IS NOT TO BE CHANGED.  
DRAWING IS ARCHIVED ON MAGNETIC TAPE  
FOR ECO CHANGES.

<b>ROSEMOUNT</b> INC.			
MINNEAPOLIS, MINN.			
DR	SIZE	FSCM NO.	DRAWING NO.
ISSUE	A	04274	03144-0011
	SCALE:	WT.	SHEET 7 OF 7