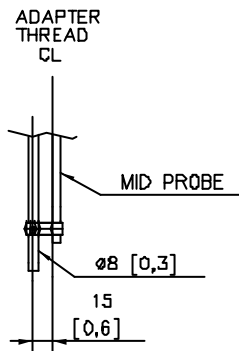


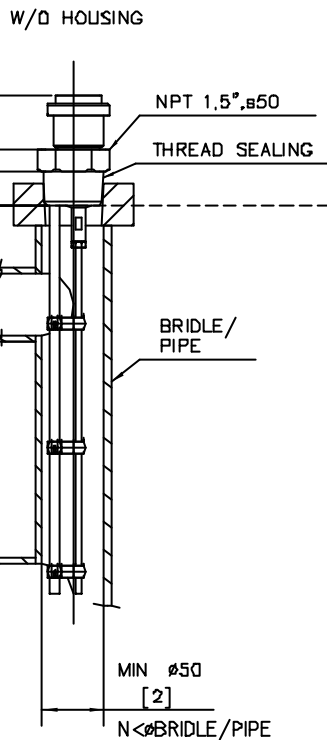
RECOMMENDED $D > 100$ [4],
 MIN. $D = 50$ [2] REQUIRES
 SPECIAL CONFIG. SETTINGS.

MAX REC. $H < (D + 100)$ [D+4].

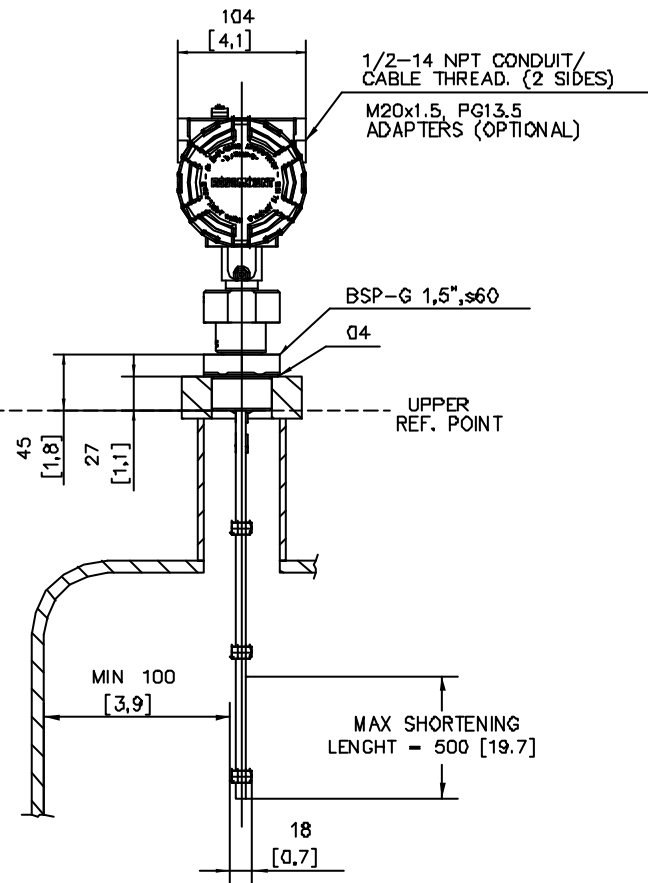


DEPENDING ON TURBULENCE IN TANK
 AND MOUNTING ANGLE THE PROBE MAY
 NEED TO BE ANCHORED OR SUPPORTED.

ENSURE MID PROBE HAS NO CONTACT
 TO WALL. MIN DISTANCE 15 [0,6].



FOR MORE INFO. SEE
 REFERENCE MANUAL



① P/T-RATING FOR FLANGE; SEE REF. MANUAL.

04	GASKET	1	ACC. TO BSP-G THREAD STD.	CUSTOMER
03	GASKET	1	SOFT GASKET T=MIN 1,6 (ANSI B16.5/1A, EN1514-1/IBC) SEE NOTE 1	CUSTOMER
02	SCREW/NUT/WASHER	-	ACC. TO FLANGE STD. SEE NOTE 1.	CUSTOMER
01	FLANGE	1	DIM. ACC. TO ANSI B 16.5/ EN 1092-1. OTHER ON REQUEST. P/T-RATING SEE NOTE 1.	RMT
POS	ITEM DESCRIPTION	QTY	REMARK	SUPPLIER

ISSUED BY GU-TK-RS	WEEK 0217	PRODUCT CODE 3300	FILE IDEAS	INSTALLATION DRAWING TITLE	
APPROVED BY GU-HF	WEEK 0217	ORIGINAL DWG NO. 9150077-970	SCALE 1:4	MECHANICAL INSTALLATION DWG RIGID TWIN LEAD, SERIES 3300	
SAAB ROSEMOUNT		1 ST ANGLE	DWG TYPE 2	DWG NO. 9150077-970	ISSUE SHEET 2 01/01

THE COPYRIGHT/OWNERSHIP OF THIS DOCUMENT IS AND WILL REMAIN OURS. THE DOCUMENT MUST NOT BE USED WITHOUT OUR AUTHORIZATION OR BRUGHT TO THE KNOWLEDGE OF A THIRD PARTY. CONTRAVENTION WILL BE PROSECUTED. SAAB MARINE ELECTRONICS AB.