

WHEN MOUNTING IN NON-METALLIC VESSEL THE PROBE MUST BE MOUNTED WITH A METALLIC FLANGE >2"/DN50 OR THE THREADED VERSION MUST BE SCREWED IN TO A METAL SHEET >#2DD [7,8].

AVOID DISTURBING EMC ENVIRONMENT. INSTALLATION IN METALLIC TANK IS RECOMMENDED.

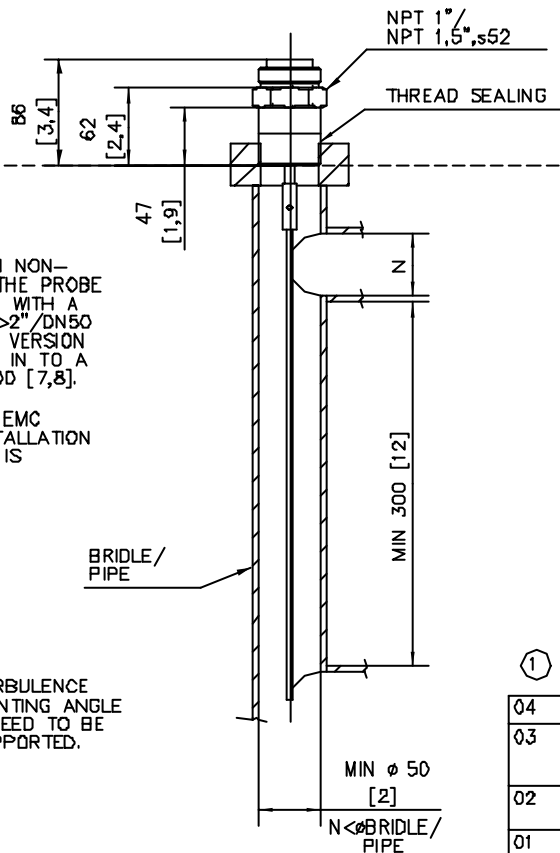
DEPENDING ON TURBULENCE IN TANK AND MOUNTING ANGLE THE PROBE MAY NEED TO BE ANCHORED OR SUPPORTED.

RECOMMENDED $D > 150$ [6].
MIN. $D = 50$ [2] REQUIRES SPECIAL CONFIG. SETTINGS.

MAX REC. $H < (D + 100)$ [D+4].

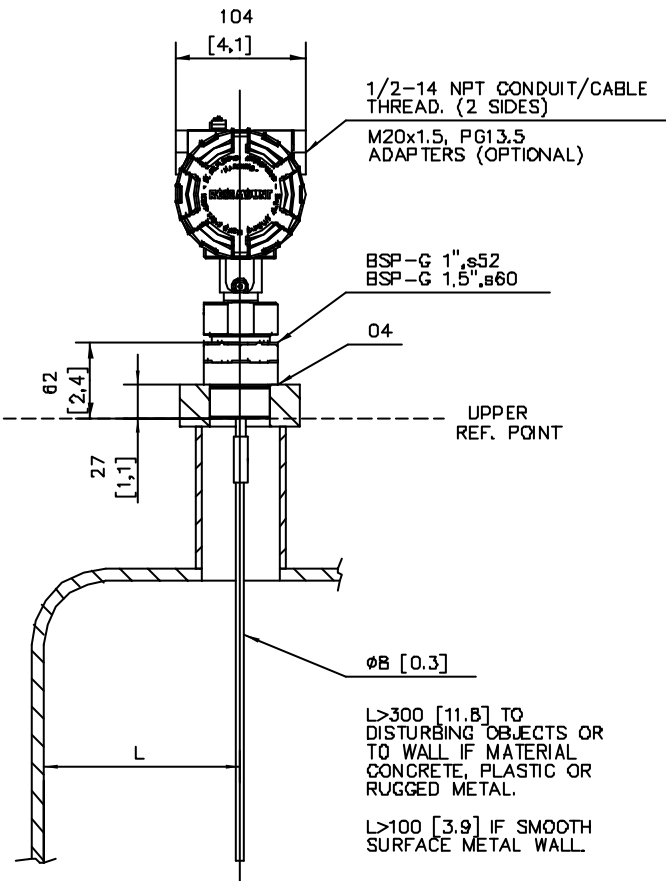
ENSURE PROBE HAS NO CONTACT TO NOZZLE/TANK WALL.

W/O HOUSING



THE PROBE MUST BE IN THE CENTER OF THE BRIDLE/PIPE.

FOR MORE INFO. SEE REFERENCE MANUAL



① P/T-RATING FOR FLANGE; SEE REF. MANUAL

04	GASKET	1	ACC. TO BSP-G THREAD STD.	CUSTOMER
03	GASKET	1	SOFT GASKET T=MIN 1,6 (ANSI B16.5/1A, EN1514-1/IBC) SEE NOTE 1	CUSTOMER
02	SCREW/NUT/WASHER	-	ACC. TO FLANGE STD. SEE NOTE 1.	CUSTOMER
01	FLANGE	1	DIM. ACC. TO ANSI B 16.5/EN 1092-1. OTHER ON REQUEST. P/T-RATING SEE NOTE 1.	RMT

POS	ITEM DESCRIPTION	QTY	REMARK	SUPPLIER
ISSUED BY: GU-TK-RS WEEK: 0311 PRODUCT CODE: 3300 FILE: IDEAS				
APPROVED BY: GU-HF WEEK: 0319 ORIGINAL DWG NO: 9150077-973 SCALE: 1:4				
SAAB ROSEMOUNT 1 ST ANGLE				
			DWG TYPE: DWB NO: 2 9150077-973	ISSUE: 1 SHEET: 01/01

THE COPYRIGHT/OWNERSHIP OF THIS DOCUMENT IS AND WILL REMAIN OURS. THE DOCUMENT MUST NOT BE USED WITHOUT OUR AUTHORIZATION OR BROUGHT TO THE KNOWLEDGE OF A THIRD PARTY. CONTRAVENTION WILL BE PROSECUTED. SAAB MARINE ELECTRONICS AB.