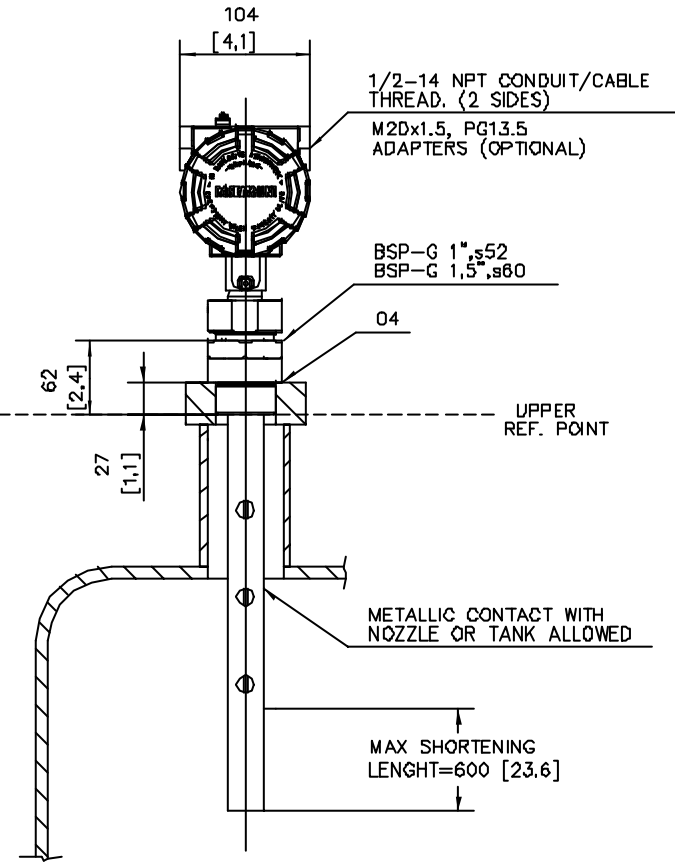
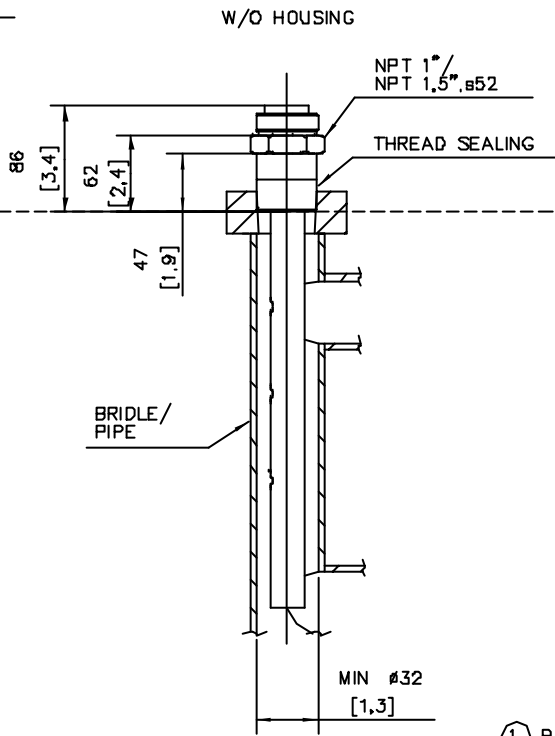


DEPENDING ON TURBULENCE  
IN TANK AND MOUNTING ANGLE  
THE PROBE MAY NEED TO BE  
ANCHORED OR SUPPORTED.



① P/T-RATING FOR FLANGE; SEE REF. MANUAL

04	GASKET	1	ACC. TO BSP-G THREAD STD.	CUSTOMER
03	GASKET	1	SOFT GASKET T=MIN 1.6 (ANSI B16.5/1A, EN1514-1/IBC) SEE NOTE 1	CUSTOMER
02	SCREW/NUT/WASHER	-	ACC. TO FLANGE STD. SEE NOTE 1.	CUSTOMER
01	FLANGE	1	DIM. ACC. TO ANSI B 16.5/ EN 1092-1. OTHER ON REQUEST. P/T-RATING SEE NOTE 1.	RMT
POS	ITEM DESCRIPTION	QTY	REMARK	SUPPLIER

ISSUED BY	WEEK	PRODUCT CODE	FILE	INSTALLATION DRAWING TITLE	
GU-TK-RS	0311	3300	IDEAS	MECHANICAL INSTALLATION DWG COAXIAL LEAD, SERIES 3300	
APPROVED BY	WEEK	ORIGINAL DWG NO.	SCALE	DWG TYPE	DWG NO.
GU-HF	0319	9150077-975	1:4	2	9150077-975
SAAB ROSEMOUNT			1 ST ANGLE	ISSUE	SHEET
				1	01/01

FOR MORE INFO, SEE  
REFERENCE MANUAL

THE COPYRIGHT/OWNERSHIP OF THIS DOCUMENT IS AND WILL REMAIN OURS. THE DOCUMENT MUST NOT BE USED WITHOUT OUR AUTHORIZATION OR BROUGHT TO THE KNOWLEDGE OF A THIRD PARTY. CONTRAVENTION WILL BE PROSECUTED. SAAB MARINE ELECTRONICS AB.