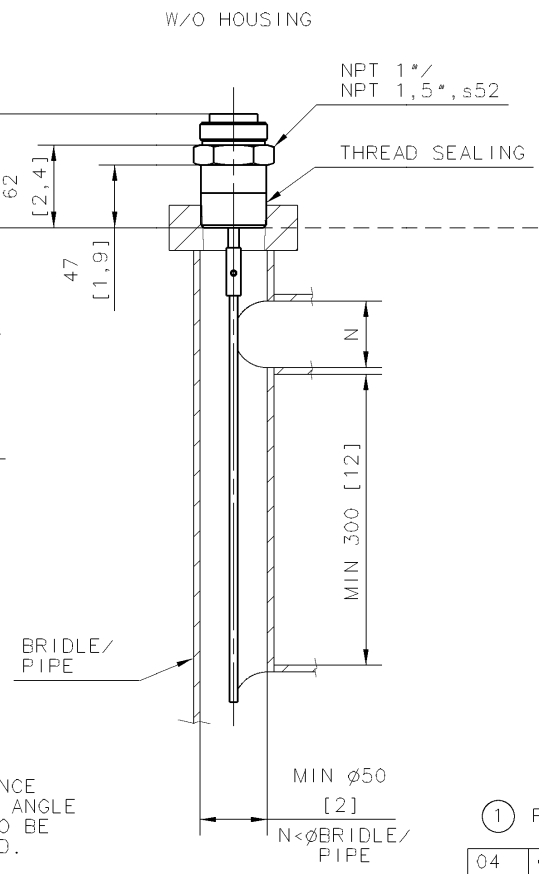


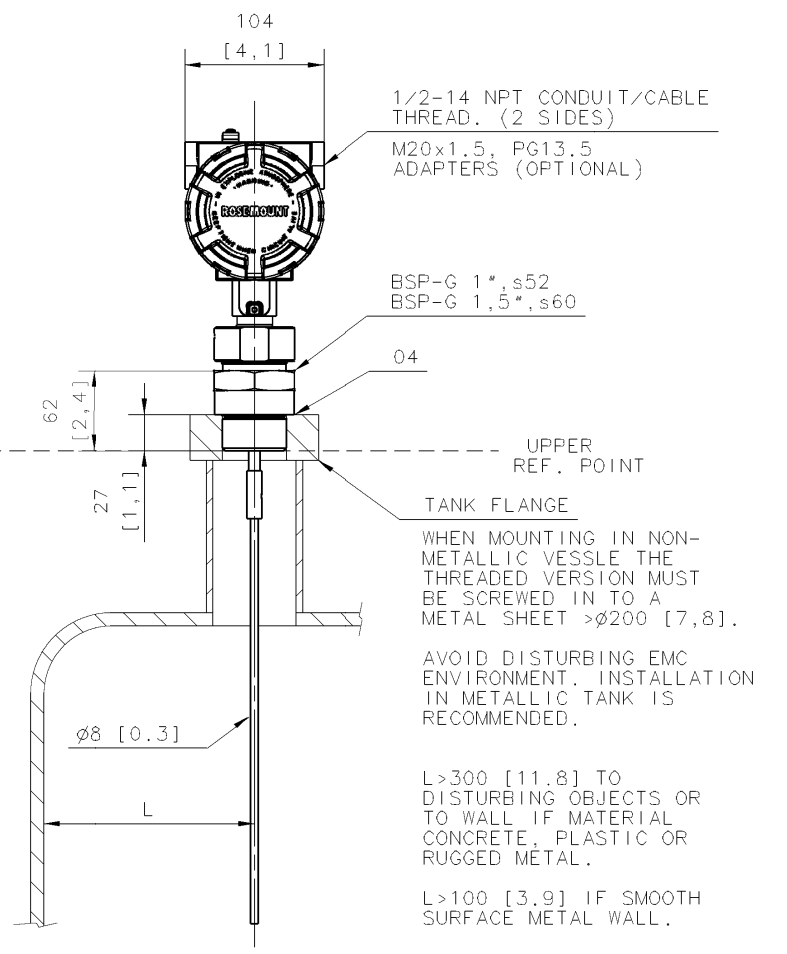
RECOMMENDED $D > 150$ [6].
 MIN. $D = 50$ [2] REQUIRES
 SPECIAL CONFIG. SETTINGS.

MAX REC. $H < (D + 100)$ [D+4].

ENSURE PROBE HAS NO CONTACT
 TO NOZZLE/TANK WALL.



FOR MORE INFO. SEE
 REFERENCE MANUAL



① P/T-RATING FOR FLANGE; SEE REF. MANUAL.

04	GASKET	1	ACC. TO BSP-G THREAD STD.	CUSTOMER
03	GASKET	1	SOFT GASKET T=MIN 1.6 (ANSI B16.5/1A, EN1514-1/1BC) SEE NOTE 1	CUSTOMER
02	SCREW/NUT/WASHER	-	ACC. TO FLANGE STD. SEE NOTE 1.	CUSTOMER
01	FLANGE	1	DIM. ACC. TO ANSI B 16.5/ EN 1092-1. OTHER ON REQUEST. P/T-RATING SEE NOTE 1.	RMT
POS	ITEM DESCRIPTION	QTY	REMARK	SUPPLIER

ISSUED BY	WEEK	PRODUCT CODE	FILE	INSTALLATION DRAWING TITLE
GU-TK-RS	0412	3300	IDEAS	MECHANICAL INSTALLATION DWG RIGID SINGLE LEAD, SPECIAL MTRL
APPROVED BY	WEEK	ORIGINAL DWG NO.	SCALE	
GU-HF	0412	9150077-988	1:4	
ROSEMOUNT		1 ST ANGLE	DOC TYPE	DWG NO.
			2	9150077-988
			ISSUE	SHEET
			1	01/01

THE COPYRIGHT/OWNERSHIP OF THIS DOCUMENT IS AND WILL REMAIN OURS. THE DOCUMENT MUST NOT BE USED WITHOUT OUR AUTHORIZATION OR BROUGHT TO THE KNOWLEDGE OF A THIRD PARTY. CONTRAVENTION WILL BE PROSECUTED. SAAB MARINE ELECTRONICS AB.