

TOTAL PROBE LENGTH

WHEN MOUNTING IN NON-METALLIC VESSEL THE PROBE MUST BE MOUNTED WITH A METALLIC FLANGE >2"/DN50 OR THE THREADED VERSION MUST BE SCREWED IN TO A METAL SHEET >Ø200 [7.8]

AVOID DISTURBING EMC-ENVIRONMENT. INSTALLATION IN METALLIC TANK IS RECOMMENDED.

DEPENDING ON TURBULENCE IN TANK AND MOUNTING ANGLE THE PROBE MAY NEED TO BE ANCHORED OR SUPPORTED.

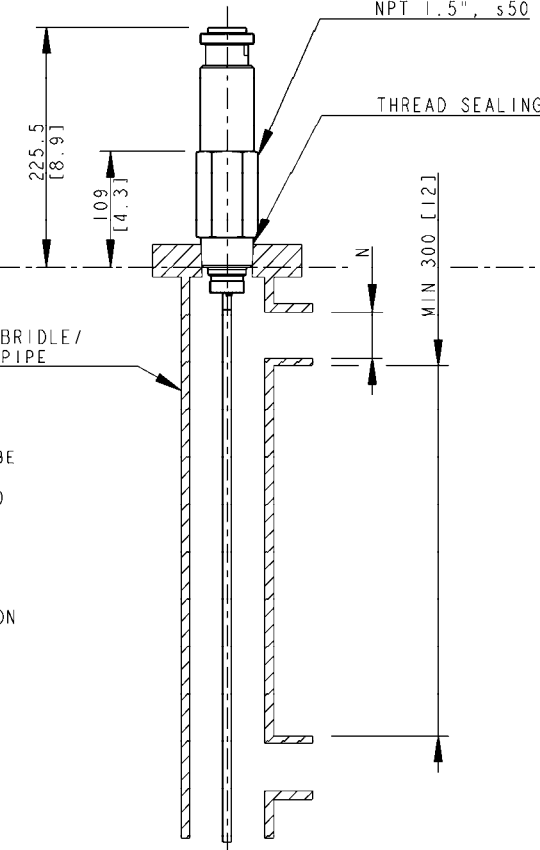
RECOMMENDED D>150 [6].  
MIN. D=50 [2] REQUIRES SPECIAL CONFIG. SETTINGS.

MAX REC. H<(D+100) [D+4]

ENSURE THAT PROBE HAS NO CONTACT WITH NOZZLE/TANK WALL.

1/2-14 NPT CONDUIT/CABLE THREAD (BOTH SIDES).  
M20x1.5, PG13.5 ADAPTERS (OPTIONAL).

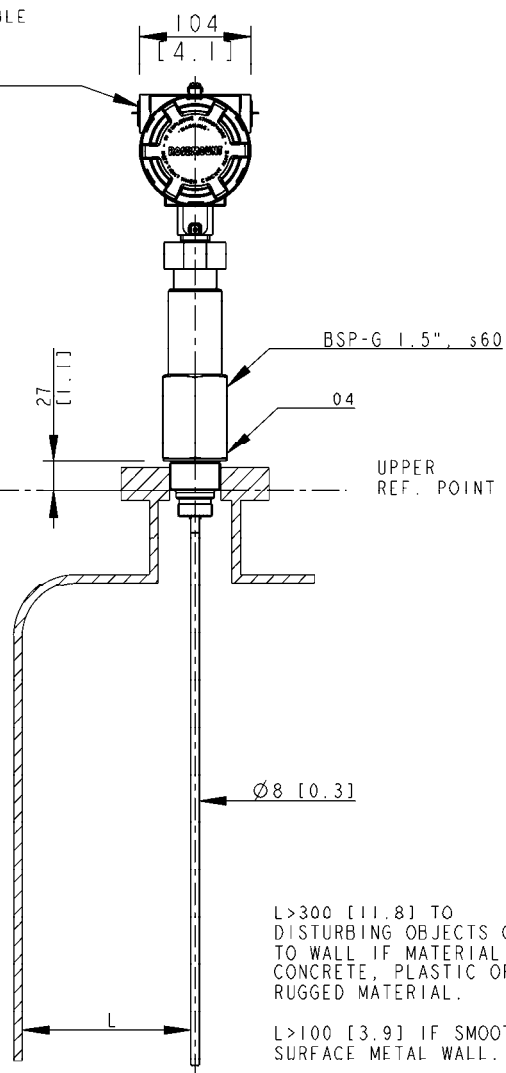
W/O HOUSING



MIN Ø50 [2]  
N<Ø BRIDLE/PIPE>

THE PROBE MUST BE IN THE CENTER OF THE BRIDLE/PIPE.

FOR MORE INFO. SEE REFERENCE MANUAL.



L>300 [11.8] TO DISTURBING OBJECTS OR TO WALL IF MATERIAL CONCRETE, PLASTIC OR RUGGED MATERIAL.  
L>100 [3.9] IF SMOOTH SURFACE METAL WALL.

1 P/T-RATING FOR FLANGE; SEE REF. MANUAL.

04	GASKET	1	ACC. TO BSP-G THREAD STD.	CUSTOMER
03	GASKET	1	SOFT GASKET T=MIN 1.6 (ANSI B16.5/1a, EN1514-1/1BC). SPIRAL WOUND GASKET WITH NON METALLIC FILLER (ANSI B16.5/1b, EN1514-2), SEE NOTE 1.	CUSTOMER
02	SCREW/NUT/WASHER	-	ACC. TO FLANGE STD. SEE NOTE 1.	CUSTOMER
01	FLANGE	1	DIM. ACC. TO ANSI B 16.5/EN 1092-1. OTHER ON REQUEST. P/T RATING, SEE NOTE 1.	RMT
POS	ITEM DESCRIPTION	QTY	REMARK	SUPPLIER

ISSUED BY	WEEK	PRODUCT CODE	FILE	INSTALLATION DRAWING TITLE	
GU-TK-TO	0536	3300	PRO/E	MECHANICAL INSTALLATION DWG	
APPROVED BY	WEEK	ORIGINAL DWG. NO.	SCALE	RIGID SINGLE LEAD	
GU-HF	0603	9240017-997	1:5		

<b>ROSEMOUNT</b>		1 ST ANGLE	DOC TYPE	DWG NO.	ISSUE	SHEET
			2	9240017-997	01	1/1

THE COPYRIGHT/OWNERSHIP OF THIS DOCUMENT IS AND WILL REMAIN OURS. THE DOCUMENT MUST NOT BE USED WITHOUT OUR AUTHORIZATION OR BROUGHT TO THE KNOWLEDGE OF A THIRD PARTY. CONTRAVENTION WILL BE PROSECUTED. SAAB ROSEMOUNT TANK RADAR AB.