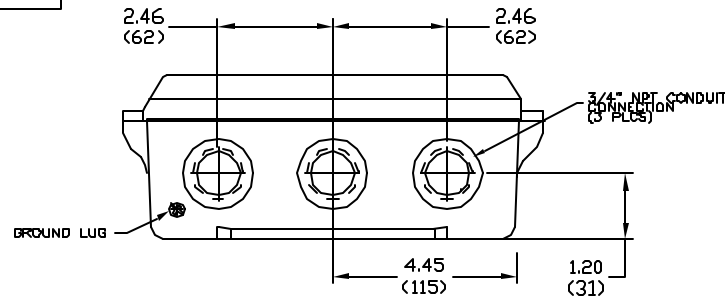
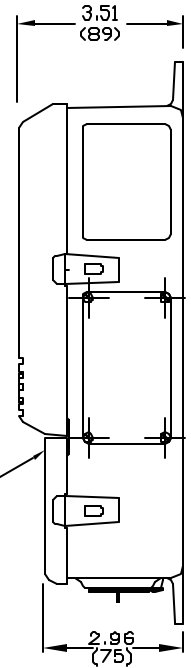
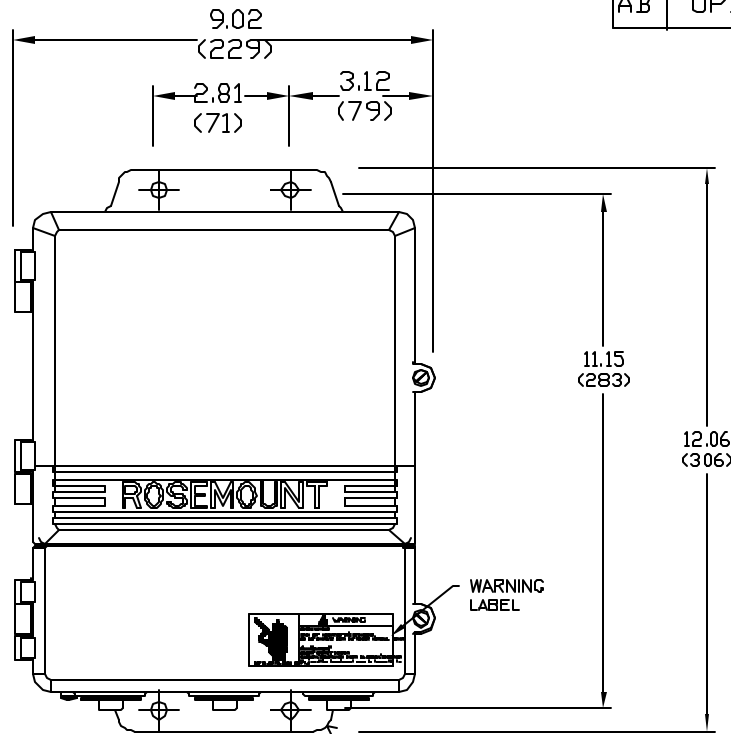
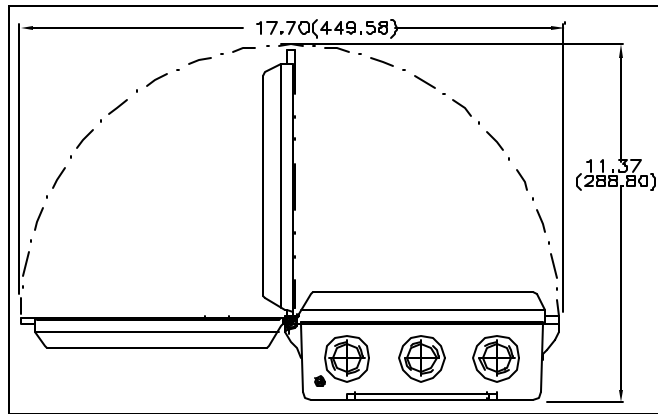


REVISIONS				
REV	DESCRIPTION	CHG.NO.	APP'D	DATE
AB	UPDATE COVER	RTC1014944	JB	3/10/03



THIS DRAWING WAS CREATED ON CAD.

FILE NAME:

CUSTOMER:

REF PURCHASE ORDER

\*UNLESS OTHERWISE SPECIFIED DIMENSIONS IN INCHES (MM)  
 \*ALL DIMENSIONS ARE NOMINAL AND ARE FOR REFERENCE ONLY

DR. JOHN ARMSTRONG 5/10/03  
 APPROVAL

APP. J BREWER 5/10/03

TAGGING

**ROSEMOUNT** CHANHASSEN, MINNEBOTA

TITLE  
 OUTLINE INSTALLATION DRAWING FOR MODEL 3420 FIM

SIZE FSCM.NO. DRAWING NO.  
 A 04274 03420-1002

SCALE: NONE WT. SHEET 1 OF 1

**NOTES:**

1. DIMENSIONS SHOWN IN PARENTHESIS ARE IN MILLIMETERS.
2. PLUG ALL CONDUIT CONNECTIONS.
3. WEIGHT: 4.05KG

