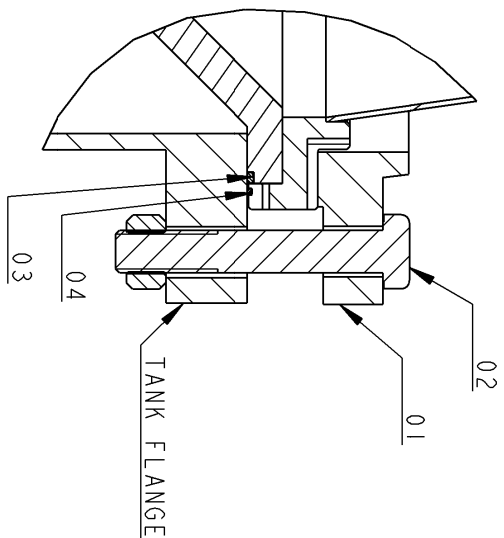


1/2-14 NPT CONDUIT/CABLE
THREAD (2 SIDES) M20x1.5
ADAPTER (OPTIONAL)



SEE DETAIL A

NOTE:
2. TRANSMITTER HEAD MOUNTING, SEE REF MANUAL
1. P/T RATING FOR THIS FLANGE, SEE REF MANUAL

ITEM	DESCRIPTION	QTY	REMARK	SUPPLIER
06	TRANSMITTER HEAD	1		RMT
05	ANTENNA ASSEMBLY	1		RMT
04	O-RING	1		RMT
03	PROCESS O-RING	1		RMT
02	SCREW/NUT/WASHER	-	ACC. TO FLANGE STD SEE NOTE 1	CUSTOMER
01	FLANGE	1	DIM. ACC TO ANSI B 16.5/ EN 1092-1. OTHER ON REQUEST PT RATING SEE NOTE 1.	RMT

FOR MORE INFO
SEE REF MANUAL

ISSUED BY	WEEK	PRODUCT CODE	FILE	INSTALLATION DRAWING TITLE
GU-TK-JH	0535	5400	PRO/E	MECHANICAL INSTALLATION DWG
APPROVED BY	WEEK	ORIGINAL DWG. NO.	SCALE	SERIES 5400 PROCESS SEAL
GU-SL	0540	9240030-976		
ISSUE	DOC TYPE	DWG NO.	ISSUE SHEET	
01	2	9240030-976	01	1/1

ROSEMOUNT

THE COPYRIGHT/OWNERSHIP OF THIS DOCUMENT IS AND WILL REMAIN OURS. THE DOCUMENT MUST NOT BE USED WITHOUT OUR AUTHORIZATION OR BROUGHT TO THE KNOWLEDGE OF A THIRD PARTY. CONTRAVENTION WILL BE PROSECUTED. SAAB ROSEMOUNT TANK RADAR AB