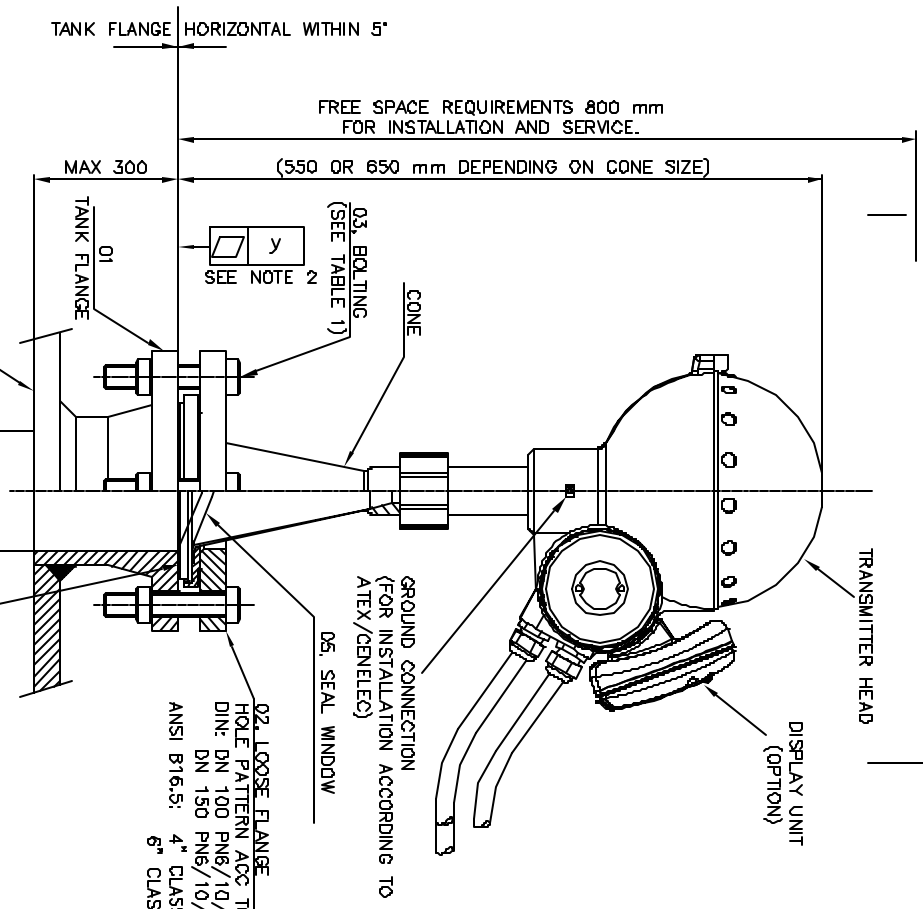


VIEW FROM SIDE

FREE SPACE REQUIREMENTS 850 mm FOR INSTALLATION AND SERVICE



FOR MORE INFO, SEE PRO/5600 INSTALLATION MANUAL AND INSTALLATION INSTRUCTION

VIEW FROM TOP

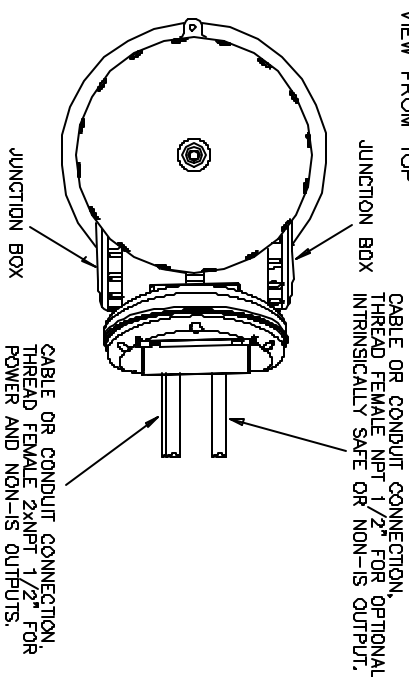


TABLE 1.

** IMPORTANT **					
PTFE WINDOW (PTFE GASKET)					
REG. TORQUE (Nm) WITH LUBRICATED SCREWS:					
TIGHTEN OPPOSITE SCREWS IN Pairs.					
DIN FLANGES					
PN8	PN10	PN16	PN25	PN40	ANSI FLANGES
DN100	23Nm	11Nm	11Nm	15Nm	GLASS150 (CLASS300)
DN150	12Nm	15Nm	15Nm	6	15Nm
DN150	38Nm	48Nm	48Nm	6	15Nm
CERAMIC WINDOW (GRAPHITE GASKET)					
REG. TORQUE (Nm) WITH LUBRICATED SCREWS:					
TIGHTEN OPPOSITE SCREWS IN Pairs.					
DIN FLANGES					
PN8	PN10	PN16	PN25	PN40	ANSI FLANGES
DN100	69Nm	35Nm	35Nm	4	CLASS150 (CLASS300)
DN150	38Nm	48Nm	48Nm	6	15Nm

- ① RECOMMENDED INSTALLATION DISTANCE FROM TANK WALL TO RADAR GAUGE IS 600 mm. INSTALLATION CLOSER TO TANK WALL MAY REDUCE PERFORMANCE.
- ② SOCKET FLATNESS: WITHIN $y=0.1mm$ FOR CERAMIC WINDOW AND WITHIN $y=0.5mm$ FOR PTFE WINDOW. SEE INSTALLATION INSTRUCTION, 9240007-985

POS	ITEM DESCRIPTION	QTY	REMARK
05	SEAL WINDOW	1	PTFE OR CERAMICS
04	GASKET (SR/RMT STD)	1	EXPANDED PTFE OR GRAPHITE
03	BOLTING	1	ACC TO FLANGE STD
02	MIN STRENGTH: CLASS 8.8	1	BOLT LENGTH ~100-110mm
01	LOOSE FLANGE	1	
01	TANK FLANGE	1	

DESIGN BY	WEED	PRODUCT CODE	P/E	ACAD
GU-HF	0307	PRO/5600		
APPROVED BY	WEED	ORIGINAL DWG NO.	SCALE	
GST-TK	0307	9150070-903		

ISSUE	DATE	BY	REASON
1	03/07	GU-HF	MECHANICAL INSTALLATION DWG
2	09/15	GU-HF	PRO/5600, PROCESS SEAL

SAAB ROSEMOUNT 1 BT ANGLE 9150070-903