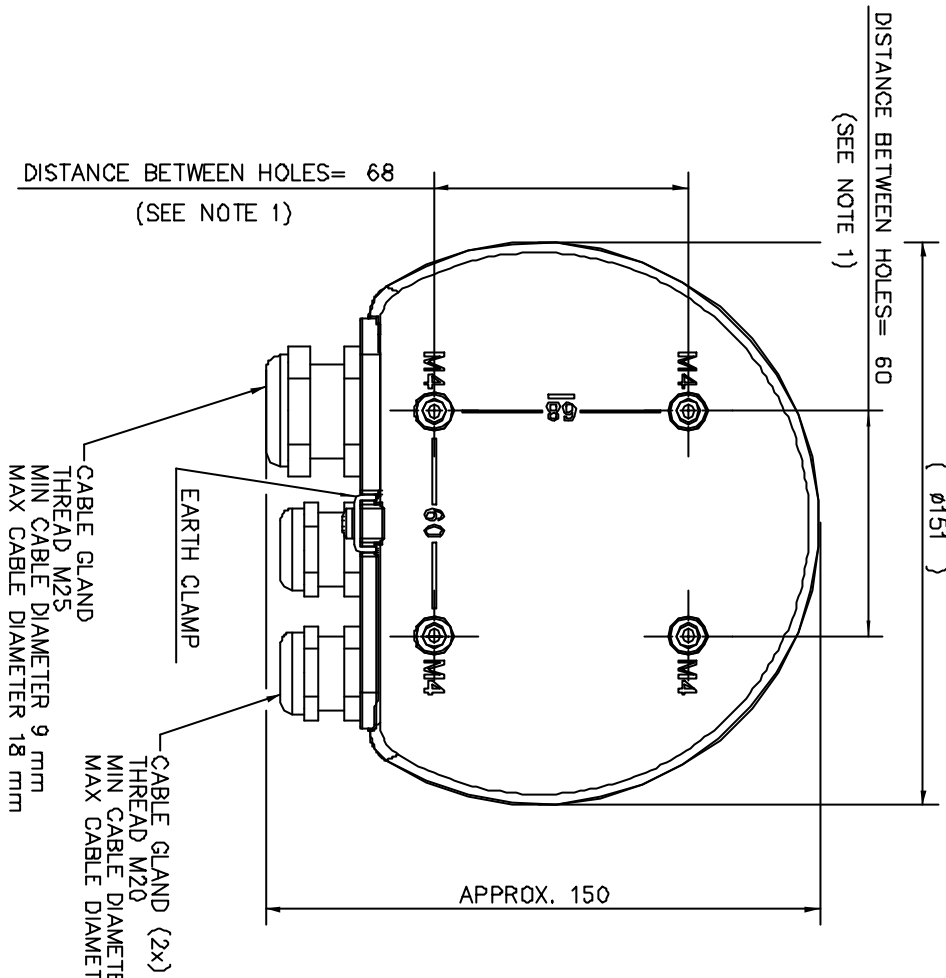
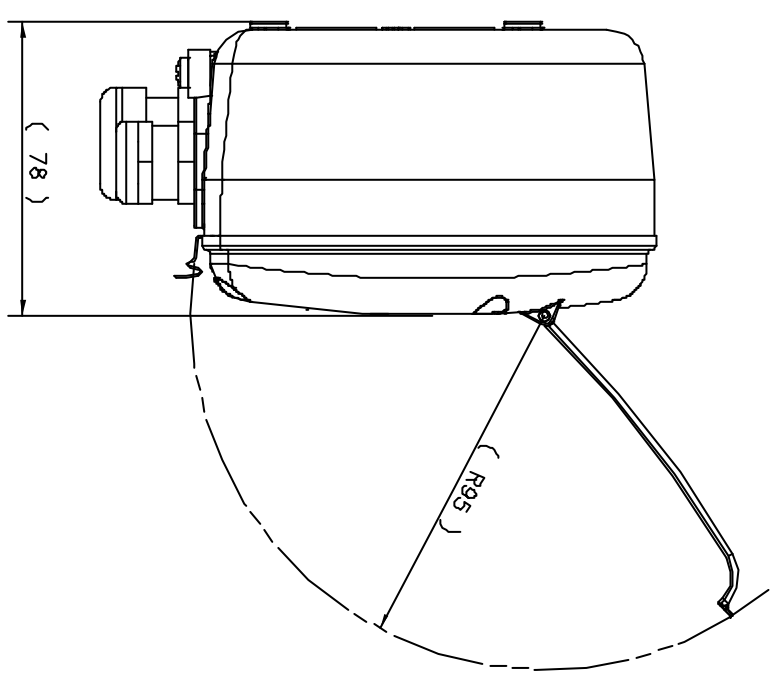


BOX REMOTE  
BACK VIEW



BOX REMOTE  
SIDE VIEW



- ① DRILL PATTERN FOR MOUNTING OF THE DISPLAY UNIT AT PLATE SUPPLIED BY CUSTOMER. FOUR M4 SCREWS ARE REQUIRED. MAXIMUM DEPTH OF HOLES IS 10mm. 4 PCS M4X12 SUPPLIED BY SAAB.

ISSUED BY	QU-HF	WEEK	0307	PRODUCT CODE	PRO/5500	FILE	IDEAS/ACAD	INSTALLATION DRAWING TITLE
APPROVED BY	GST-TK	WEEK	0307	ORIGINAL DWG NO.	9150074-921	SCALE	-	MECHANICAL INSTALLATION DWG
<b>SAAB ROSEMOUNT</b>		DOC TYPE	2	DWG NO.	9150074-921	RS&E	2	SHEET
		1 BT ANGLE						1/1

THE COPYRIGHT/OWNERSHIP OF THIS DOCUMENT IS AND WILL REMAIN OURS. THE DOCUMENT MUST NOT BE USED WITHOUT OUR AUTHORIZATION OR BROUGHT TO THE KNOWLEDGE OF A THIRD PARTY. CONTRAVENTION WILL BE PROSECUTED. SAAB NAABE ELECTRONICS AB.

INST. DWG. A3 2001-09-28