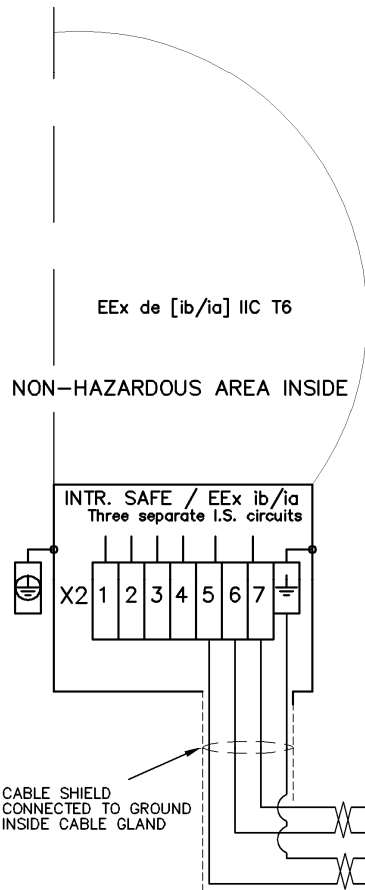


TRANSMITTER HEAD TH 43..

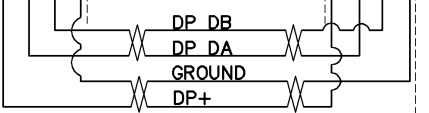
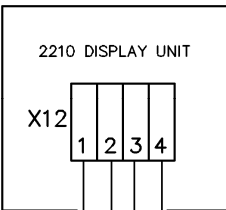


CONNECTING THE SENSORS SPOT ELEMENTS 3-WIRE INDEPENDENT

RTD 1	X 17:2	JUMPER SETTINGS
	X 17:3	
	X 17:4	
RTD 2	X 17:6	X24: A, B, C OPEN
	X 17:7	X25: A, B, C CLOSED
	X 17:8	X26: POSITION 1
RTD 3	X 18:2	X27: POSITION 1
	X 18:3	X28: POSITION 1
	X 18:4	

MULTIPLE SPOT ELEMENTS WITH COMMON RETURN

RTD 1	BROWN	X 17:2	JUMPER SETTINGS	
RTD 2	RED	X 17:6		
RTD 3	ORANGE	X 18:2		X24: A, B, C CLOSED
RTD 4	YELLOW	X 18:5		X25: A, B, C CLOSED
RTD 5	GREEN	X 18:6		X26: POSITION 2
RTD 6	BLUE	X 18:7		X27: POSITION 2
	BLACK	X 18:8	X28: POSITION 2	
	BLACK	X 17:4		



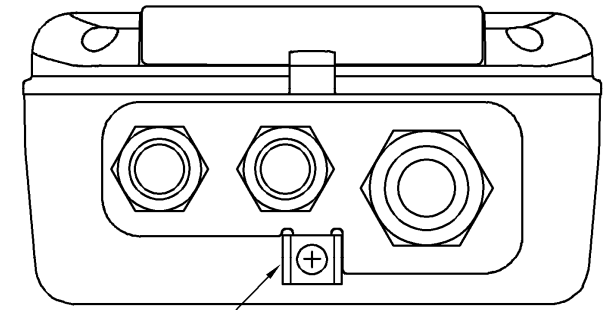
- ⑧ ALL INCOMING CABLES MUST HAVE MIN 0,25 mm INDIVIDUAL INSULATION FOR VALID I.S. INSTALLATION.
- ⑦ TANK EARTH CONNECTION MIN 4 SQMM REQUIRED FOR INST. ACC. TO CENELEC.
- ⑥ SHIELDED CABLE RECOMMENDED FOR VALID EMC PERFORMANCE ACC. TO EN 50082-2.
- ⑤ ENCLOSURE IS EARTHED LOCALLY ON THE TANK FOR EXPLOSION PROTECTION AND ELECTRICAL SAFETY. A SEPARATE PROTECTIVE EARTH CONNECTION TO THE POWER DISTRIBUTION CENTRAL IS NOT RECOMMENDED UNLESS REQUIRED BY NATIONAL AUTHORITIES. A GROUND LOOP WITH CIRCULATING CURRENT MAY OCCUR.
- ④ THE REMOTE DISPLAY BOARD (RB 43..) CONSISTS OF ONE INTRINSICALLY SAFE CIRCUIT FOR CONTROLLING ONE LCD-MODULE AND THE (TP 40..) BOARD.

	P _I	U _I	I _I	C _I	L _I
DP+, DPDA, DPDB, GND	0,7W	12V	400mA	0uF	0mH

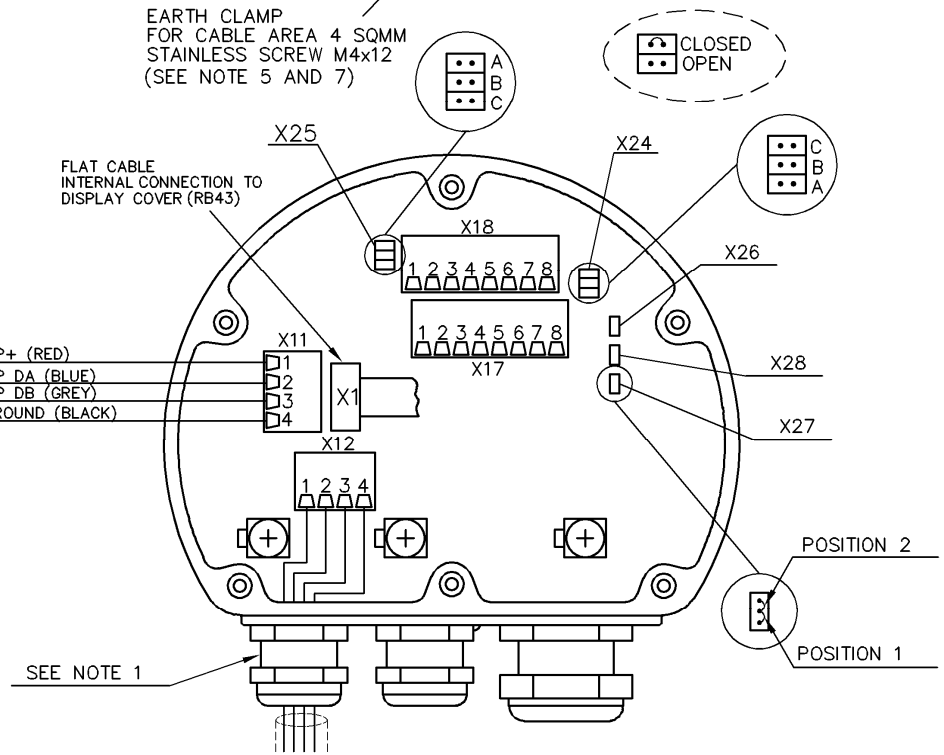
- ③ THE TEMPERATURE PANEL CARD (TP 40..) OPTION CONSISTS OF ONE INTRINSICALLY SAFE CIRCUIT FOR CONNECTION OF UP TO SIX RESISTANCE TEMPERATURE DETECTORS (SIMPLE APPARATUS).

	P _O	U _O	I _O	C _O	L _O	L _O /R _O
T1 - T8	0,253W	5,88V	172,4mA	43uF	0,7mH	140uH/OHM

- ② OPTIONAL CONNECTION IS BY MAX 100 M SHIELDED CABLE, MIN AWG 20 OR MIN 0,5 SQMM (CUSTOMER SUPPLY).
- ① FOR VALID EMC PERFORMANCE SHALL THE CABLE SHIELD BE CIRCULAR CONNECTED INSIDE THE CABLE GLANDS.



EARTH CLAMP FOR CABLE AREA 4 SQMM STAINLESS SCREW M4x12 (SEE NOTE 5 AND 7)



IMPORTANT!
HANDLE OPEN COVER WITH CARE TO PREVENT DAMAGE ON DISPLAY CABLING.
TIGHTEN THE COVER SCREWS CROSSWISE TO PREVENT LEAKAGE FROM THE COVER SEAL.

ISSUED BY GU-HF	WEEK 0307	PRODUCT CODE PRO/5600	FILE ACAD	INSTALLATION DRAWING TITLE ELECTRICAL INSTALLATION DWG 2210 DU TEMP CONN.- PRO/5600
APPROVED BY GST-TK	WEEK 0307	ORIGINAL DWG NO. 9150074-928	SCALE -	
SAAB ROSEMOUNT		1 ST ANGLE	DOC TYPE 2	DWG NO. 9150074-928
			ISSUE 3	SHEET 1/1

THE COPYRIGHT/OWNERSHIP OF THIS DOCUMENT IS AND WILL REMAIN OURS. THE DOCUMENT MUST NOT BE USED WITHOUT OUR AUTHORIZATION OR BROUGHT TO THE KNOWLEDGE OF A THIRD PARTY. CONTRAVENTION WILL BE PROSECUTED. SAAB MARINE ELECTRONICS AB.