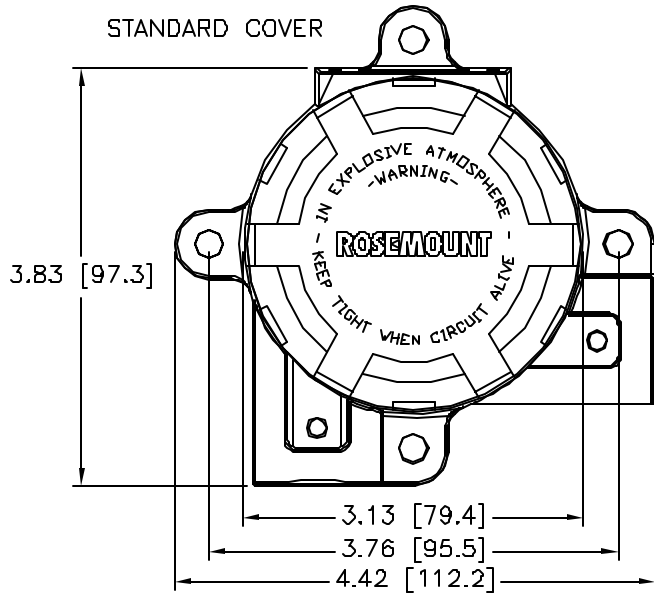


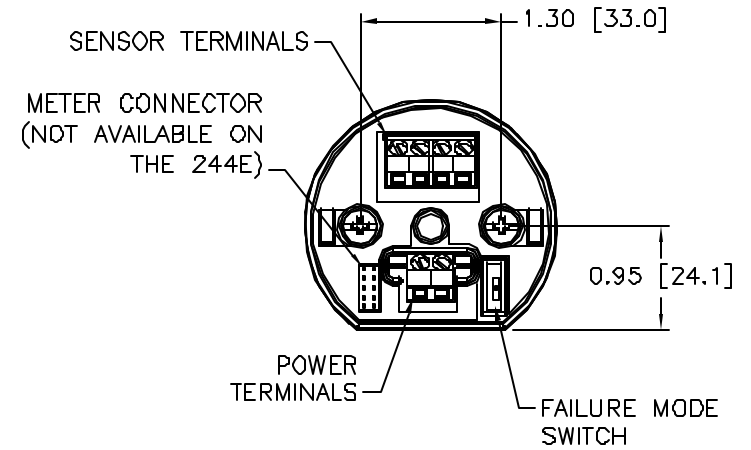
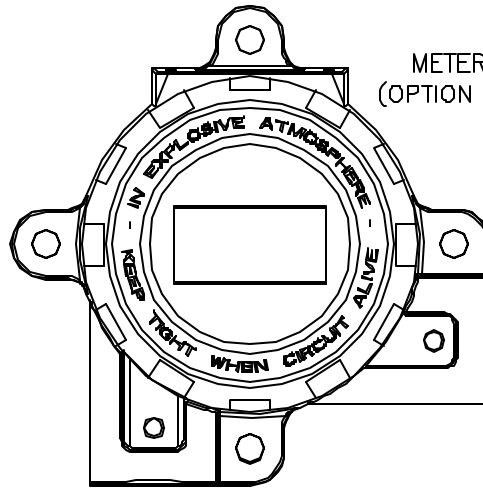
UNIVERSAL CONNECTION HEAD  
(OPTION CODE J5 AND J6)

REVISIONS				
REV	DESCRIPTION	CHG. NO.	APP'D	DATE
AA	INITIAL RELEASE	RTC1005538	D.S.	5/27/98
AB	DRAWING UPDATE	RTC1005570	D.S.	5/18/00
AC	CONVERT TO TYPE I DRAWING	RTC1015016	D.B.	3/15/03

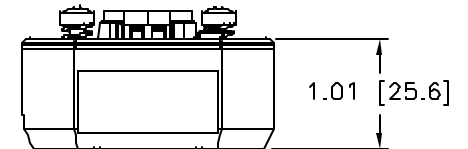
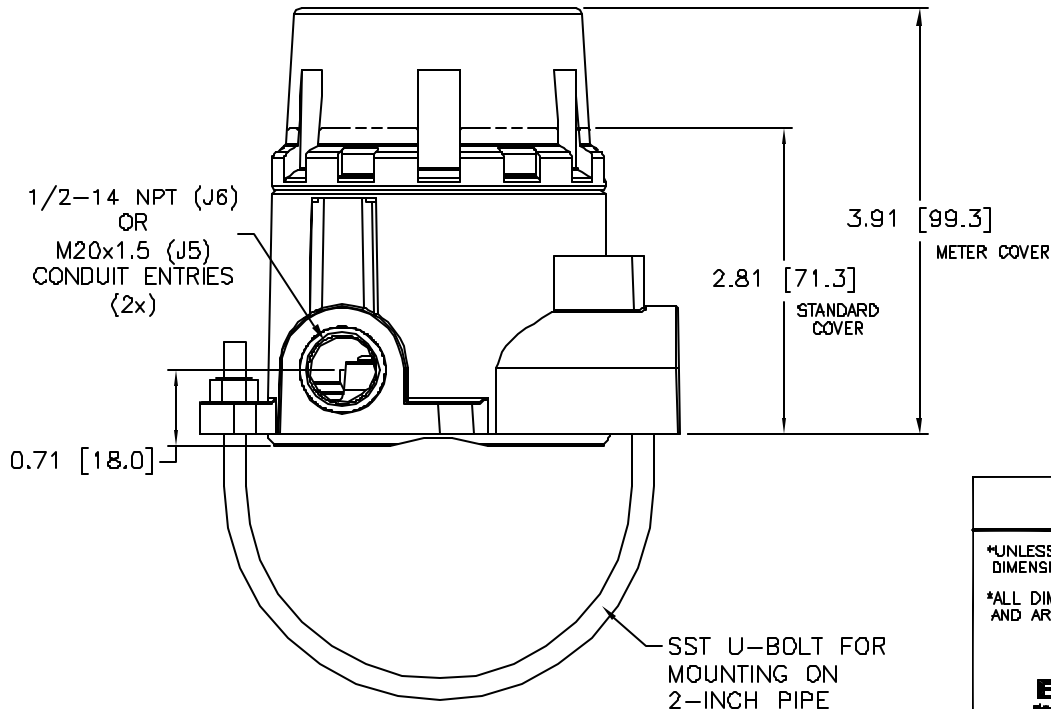
STANDARD COVER



METER COVER  
(OPTION CODE M5)



1/2-14 NPT (J6)  
OR  
M20x1.5 (J5)  
CONDUIT ENTRIES  
(2x)



SST U-BOLT FOR  
MOUNTING ON  
2-INCH PIPE

*UNLESS OTHERWISE SPECIFIED DIMENSIONS IN INCHES (MM)		TYPE I		<b>ROSEMOUNT®</b> CHANHASSEN, MINNEBOTA	
*ALL DIMENSIONS ARE NOMINAL AND ARE FOR REFERENCE ONLY		DR. JOHN ARMSTRONG 03/10/03		TITLE	
EMERSON Process Management		APP'D. DRAWING DFK BAUSCHKE 03/13/03		DIMENSIONAL DRAWING FOR MODEL 644H/244EH TEMPERATURE TRANSMITTER	
		SIZE	FSCM.NO.	DRAWING NO.	
		A	04274	00644-0011	
		SCALE: NONE	WT.	SHEET 1 OF 1	