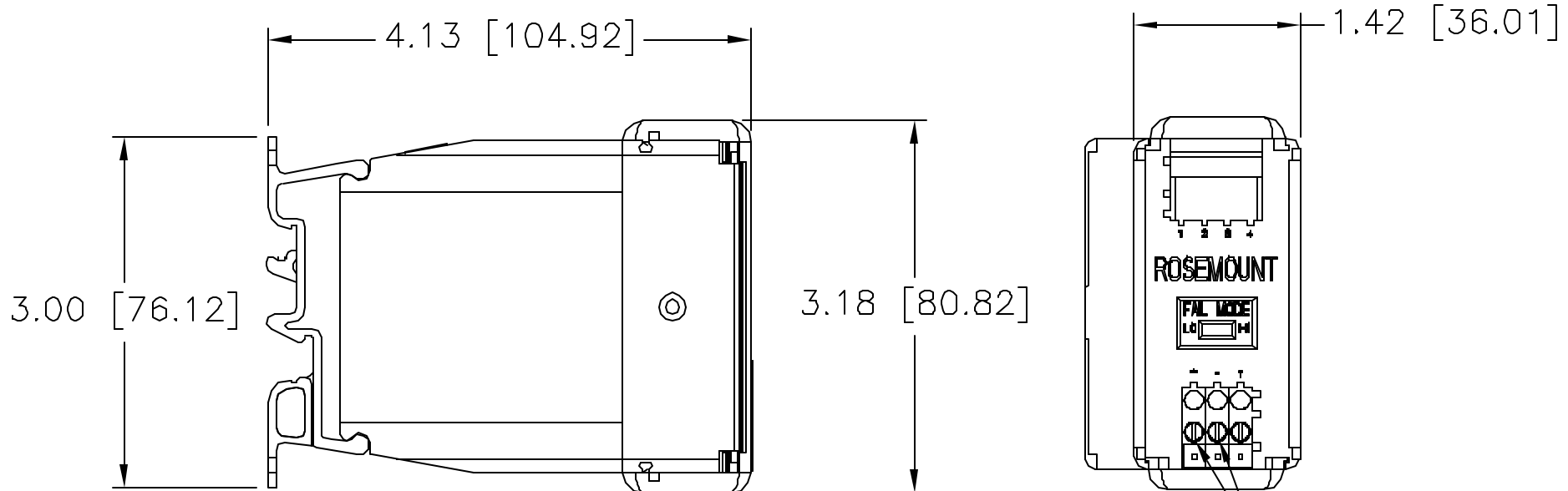



REVISIONS				
REV	DESCRIPTION	CHG. NO.	APP'D	DATE
AA	NEW RELEASE	RTC1005835	D.S.	5/27/99
AB	CONVERT TO TYPE I DRAWING	RTCL013016	D.B.	03/12/03



POWER/SIGNAL
TERMINALS

(WIRE COMPRESSION TERMINALS)

<p>*UNLESS OTHERWISE SPECIFIED DIMENSIONS IN INCHES (MM)</p> <p>*ALL DIMENSIONS ARE NOMINAL AND ARE FOR REFERENCE ONLY</p> 		<p>TYPE I</p>	<p>ROSEMOUNT* CHANHASSEN, MINNEBOTA</p>
<p>DR. JOHN ARMSTRONG 03/10/03</p> <p>APP'D. DRAWING DRK BAUSCHKE 03/10/03</p> <p>APP'D. DRAWING</p> <p>APP'D. TAGGING</p> <p>APP'D. SPECIALS</p>	<p>TITLE</p> <p>DIMENSIONAL DRAWING FOR MODEL 644R/244ER TEMPERATURE TRANSMITTER</p>	<p>SIZE A</p> <p>FSCM.NO. 04274</p> <p>SCALE: NONE</p>	<p>DRAWING NO. 0644-0013</p> <p>WT.</p> <p>SHEET 1 OF 1</p>