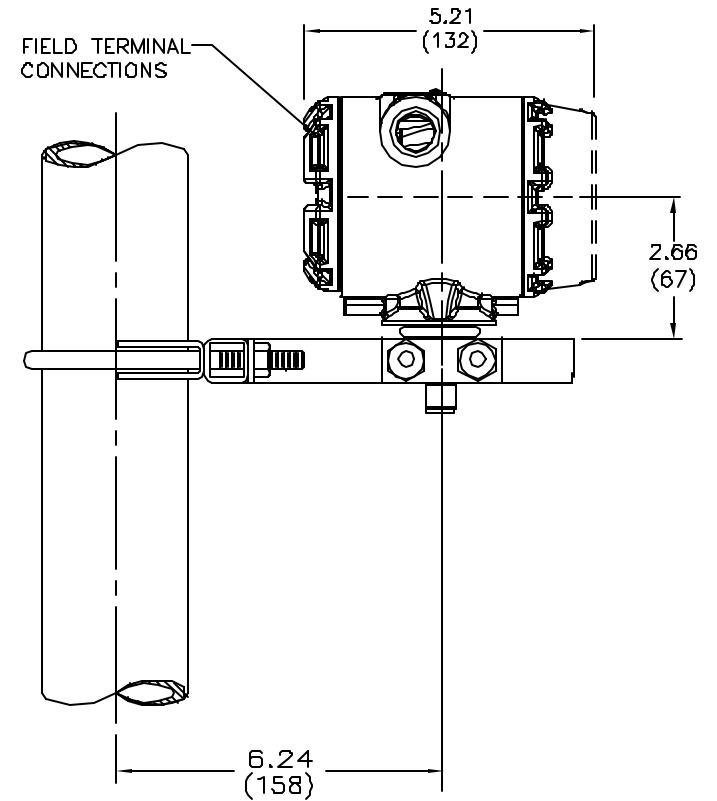
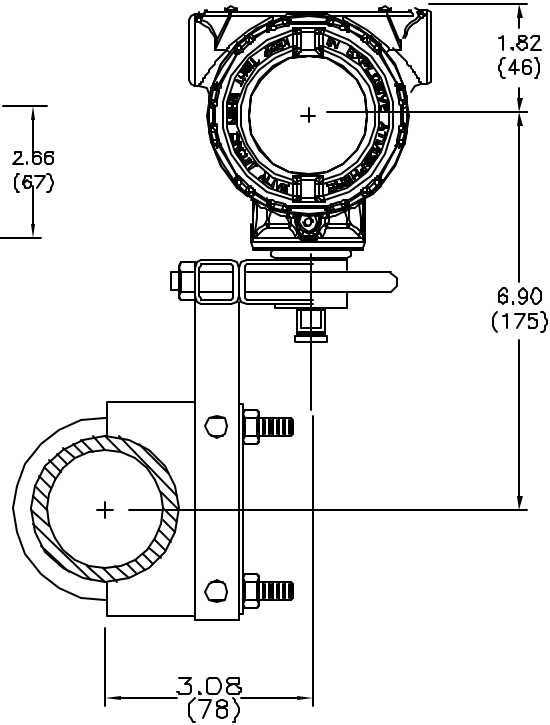
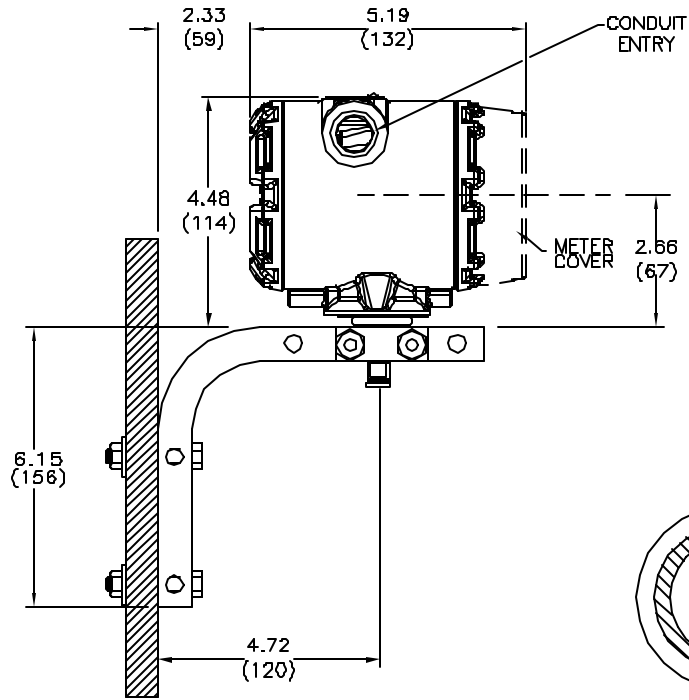



752 FIELDBUS REMOTE INDICATOR

REVISIONS				
REV	DESCRIPTION	CHG.NO.	APP'D	DATE
AA	TYPE 1 DRAWING	RT01015714	JB	7/17/03



<p>*UNLESS OTHERWISE SPECIFIED DIMENSIONS IN INCHES (MM)</p> <p>*ALL DIMENSIONS ARE NOMINAL AND ARE FOR REFERENCE ONLY</p> 	TYPE I		ROSEMOUNT* CHANHASSEN, MINNEBOTA	
	DR. JOHN ARMSTRONG	7/17/03	TITLE	
	APPROVAL		DIMENSIONAL DRAWING FOR MODEL 752	
	DR J. BREWER	7/17/03	SIZE	DRAWING NO. 00752-1004
	TAGGING		A	
SPECIALS		SCALE: NONE	SHEET 1 OF 1	