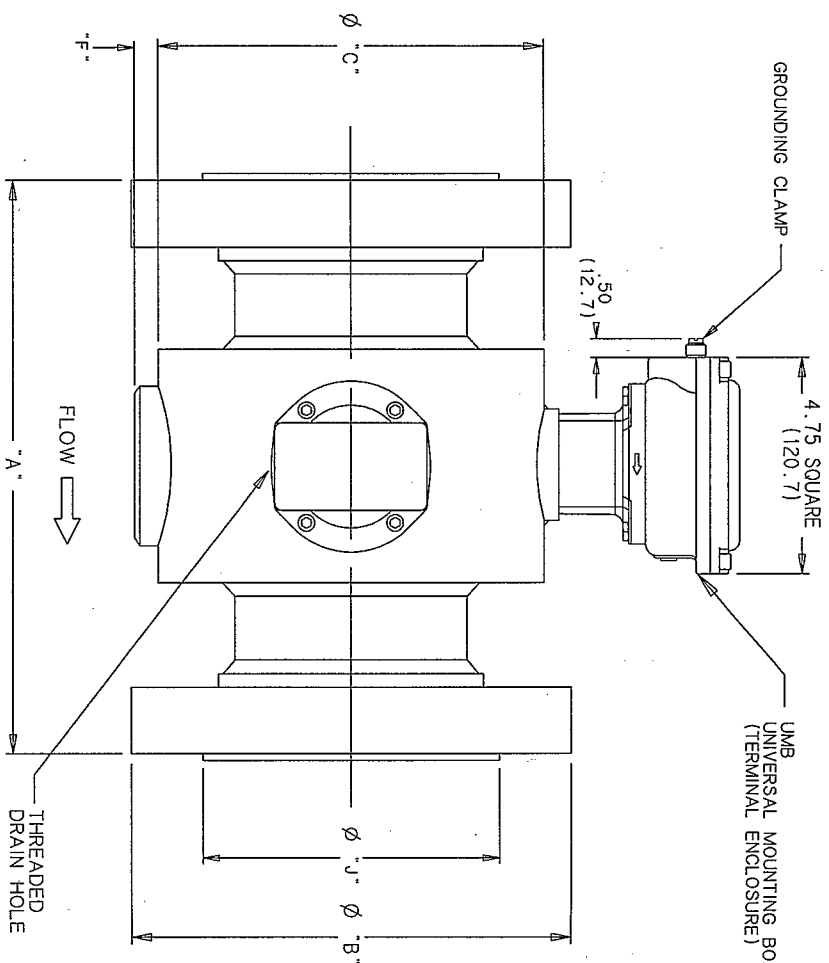
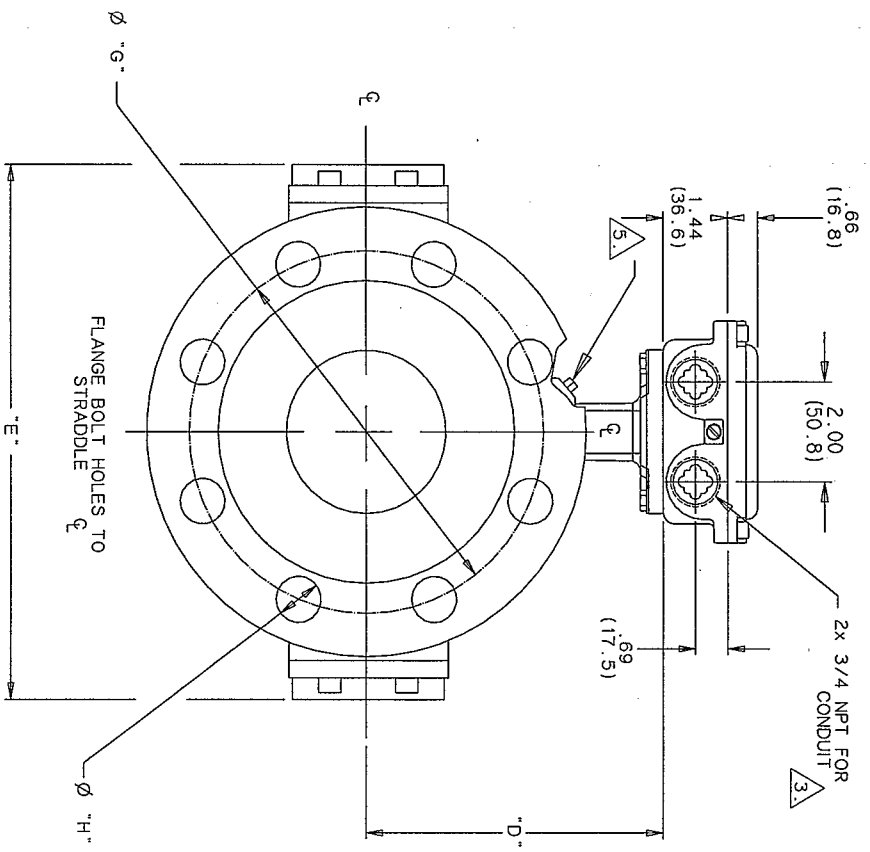


REVISIONS					
ZONE	REV	DESCRIPTION	CHG. NO.	APP'D	DATE
AA	AA	UPDATE DRAWING	RTC1000259		



- ROSEMOUNT INC. CERTIFIES THESE DRAWINGS ARE IN ACCORDANCE WITH ROSEMOUNT ENG. SPECIFICATIONS AND ACCURATELY REPRESENTS THE EQUIPMENT FURNISHED.
- CONSULT PRODUCT MANUAL FOR DETAILED INFORMATION ON INSTALLATION, OPERATION, OR MAINTENANCE. FAILURE TO DO SO COULD RESULT IN PERSONAL INJURY OR DAMAGE TO PRODUCT OR PROPERTY.
- PRESSURE RELIEF VALVE AVAILABLE WITH SEALED WELDED HOUSING (W1 OPTION) ONLY.

- ADD .25 (6.4) TO TUBE LENGTH WHEN GROUNDING RINGS OR LINING PROTECTORS ARE ATTACHED OPTIONS, ADD .25" TO TU.BE LENGTH.
- PLUG UNUSED CONDUIT HOLES.
- SEE TABLE 1 FOR MODEL SELECTION.
- UPPER DIMENSIONS ARE IN INCHES. LOWER DIMENSIONS SHOWN IN PARENTHESES ARE IN MILLIMETERS.

NOTES:

THIS DRAWING WAS CREATED ON CAD. YELLUM MASTER IS NOT TO BE CHANGED. DRAWING IS ARCHIVED ON MAGNETIC TAPE FOR ECO CHANGES.

UNLESS OTHERWISE SPECIFIED DIMENSIONS IN INCHES		-TOLERANCE-	
DECIMALS	FRACTIONS	DECIMALS	FRACTIONS
.X ± .1	± 1/32	.XX ± .02	ANGLES ± 2°
.XXX ± .010			

DR. ERIC LOMASSEN	02/18/91	TITLE OUTLINE INSTALLATION DRAWING FOR	
APP'D		MODEL 8705 T-5	
DRAWING		MAGNETIC FLOWTUBES AND WITH	
APP'D		INTEGRALLY MOUNTED TRANSMITTERS	
TAGGING		SIZE	F50M NO. 04274
APP'D		DRAWING NO.	08705-0021
SPECIALS		SCALE:	NONE
		WT.	

DO NOT SCALE PRINT

SHEET 1 OF 7

TABLE 1 - FLOWTUBE MODEL SELECTION

MODEL	MAGNETIC FLOWTUBE
8705	
CODE LINING MATERIAL	
F	PTFE (TEFLON)
P	ETFE (TEFZEL)
N	POLYURETHANE
G	NEOPRENE
	NATURAL RUBBER
	AVAILABLE IN 1-1/2 THROUGH 36 INCH (40-900 mm) LINE SIZES.
CODE ELECTRODE MATERIAL	
S	316 STAINLESS STEEL
T	TITANIUM
P	PALADIUM
H	HASTELLOY
N	TITANIUM
	AVAILABLE IN 1-1/2 THROUGH 36 INCH (40-900 mm) LINE SIZES.
CODE ELECTRODE CONSTRUCTION	
A	TWO ELECTRODES PLUS ONE GROUND ELECTRODE
F	TWO ELECTRODES PLUS ONE GROUND ELECTRODE
K	TWO FIELD-REPLACEABLE ELECTRODES (NOT AVAILABLE ON 1/2-1 INCH. 1.5-4 INCH NO SEALED ELECTRODE COMPARTMENT AVAILABLE ONLY)
B	TWO BULLET NOSE ELECTRODES
	AVAILABLE ON 1/2-1 INCH. 1.5-4 INCH NO SEALED ELECTRODE COMPARTMENT AVAILABLE ONLY
CODE LINE SIZE	
005	.50" (15)
010	1.00" (25)
015	1.50" (40)
020	2.00" (50)
030	3.00" (80)
040	4.00" (100)
050	5.00" (125)
060	6.00" (150)
080	8.00" (200)
100	10.00" (250)
120	12.00" (300)
140	14.00" (356)
160	16.00" (406)
180	18.00" (457)
200	20.00" (508)
240	24.00" (610)
300	30.00" (762)
360	36.00" (914)
CODE FLANGE MATERIAL	
C	CARBON STEEL
S	STAINLESS STEEL 304
CODE FLANGE RATING	
1	ANSI CLASS 150
3	ANSI CLASS 300
6	ANSI CLASS 600
D	DIN PN 10
E	DIN PN 16
F	DIN PN 25
H	DIN PN 40
CODE OPTIONS	
G	GROUNDING RINGS
L	LINING PROTECTOR
CODE OPTIONS	
1	316L SST
2	HASTELLOY C-276
3	TITANIUM
4	TITANIUM
CODE OPTIONS	
W1	STANDARD SEALED WELDED HOUSING WITHOUT SEALED ELECTRODE COMPARTMENTS
H1	FLOWTUBE WITH MODEL 8701 LAY LENGTH
B1	INTEGRAL MOUNT WITH MODEL 8712C TRANSMITTER
B3	INTEGRAL MOUNT WITH MODEL 8732C TRANSMITTER
KD	KEMA/CENELEC APPROVAL
04	CALIBRATION DATA SHEET
08	MATERIAL CERTIFICATE OF CONFORMANCE ISO 10474-3.1B
09	MATERIAL CERTIFICATE OF CONFORMANCE ISO 10474-3.1B ELECTRODES ONLY
05	HYDROSTATIC TEST CERTIFICATION
A3	3A SANITARY APPROVAL WITH TRI CLAMP ADAPTERS (AVAILABLE FOR .50-3 IN. W1 OPTION ONLY)

TYPICAL MODEL NUMBER

8705 T S A 040 C 1 G 1 04

ROSEMOUNT[®] INC.
MINNEAPOLIS, MINN.

THIS DRAWING WAS CREATED ON CAD. VELLUM MASTER IS NOT TO BE CHANGED. DRAWING IS ARCHIVED ON MAGNETIC TAPE FOR ECO CHANGES.

FILE NAME: **A 04274**

SIZE: **A** FSCM NO. **04274** DRAWING NO. **08705-0021**

SCALE: **WT.** SHEET **2** OF **7**

DR

ISSUE

TABLE 2

METER SIZE	OVERALL LENGTH	FLANGE DIA.	BODY DIAMETER	CL TO UMB MOUNT PAD	BODY WIDTH	OPTIONAL GROUND ELECTRODE COMPARTMENT	BOLT HOLE CIRCLE DIA.	BOLT HOLE DIAMETER	RAISED FACE DIAMETER	NO. OF EQUALLY SPACED BOLT HOLES	FLOW TUBE WEIGHT	H1 OPTION LAY LENGTH	A3 OPTION LAY LENGTH
	DIM "A" ±.12 (3.0)	DIM "B" (REF)	DIM "C" ±1.0 (2.5)	DIM "D" ±2.0 (5.1)	DIM "E" ±.15 (3.8)	DIM "F" ±.15 (3.8)	DIM "G" ±.06 (1.5)	DIM "H" ±.02 (1.5)	DIM "J" ±.06 (1.5)				
1.5" (40mm), 150lb	7.88	5.00	5.21	4.82	7.05	0.64	3.88	0.62	2.88	4	22	14.4	13.78
	(199.9)	(127.0)					(98.6)	(15.7)	(73.2)		(10)	(365.8)	
1.5" (40mm), 300lb	7.88	6.12	5.21	4.82	7.05	0.64	4.50	0.62	2.88	4	24	14.4	N/A
	(199.9)	(155.4)					(114.3)	(15.7)	(73.2)		(11)	(365.8)	
1.5" (40mm), 600lb	8.63	6.12	5.21	4.82	7.05	0.64	4.50	0.88	2.88	4	26	14.4	N/A
	(219.2)	(155.4)					(114.3)	(22.4)	(73.2)		(12)	(365.8)	
1.5" (40mm), PN 10-40	7.88	5.91	5.21	4.82	7.05	0.64	4.33	0.71	3.46	4	22	14.4	13.78
	(199.9)	(150.1)					(110.0)	(18.0)	(88.0)		(10)	(365.8)	
2.0" (50mm), 150lb	7.88	6.00	5.21	4.82	7.47	0.88	4.75	0.75	3.62	4	26	14.4	13.78
	(199.9)	(152.4)					(120.7)	(19.1)	(91.9)		(12)	(365.8)	
2.0" (50mm), 300lb	7.88	6.50	5.21	4.82	7.47	0.88	5.00	0.75	3.62	8	28	14.4	N/A
	(199.9)	(165.1)					(127.0)	(19.1)	(91.9)		(13)	(365.8)	
2.0" (50mm), 600lb	8.78	6.50	5.21	4.82	7.47	0.88	5.00	0.75	3.62	8	30	14.4	N/A
	(223.0)	(165.1)					(127.0)	(19.1)	(91.9)		(14)	(365.8)	
2.0" (50mm), PN 10-40	7.88	6.50	5.21	4.82	7.47	0.88	4.92	0.71	4.02	4	26	14.4	13.78
	(199.9)	(165.1)					(125.0)	(18.0)	(102.0)		(13)	(365.8)	
3.0" (80mm), 150lb	7.88	7.50	7.21	5.82	9.57	0.48	6.00	0.75	5.00	4	40	16.6	13.78
	(199.9)	(190.5)					(152.4)	(19.1)	(127.0)		(18)	(421.6)	
3.0" (80mm), 300lb	8.63	8.25	7.21	5.82	9.57	0.48	6.62	0.88	5.00	8	47	16.6	N/A
	(219.2)	(209.6)					(168.1)	(22.4)	(127.0)		(21)	(421.6)	
3.0" (80mm), 600lb	12.40	8.25	7.21	5.82	9.57	0.48	6.62	0.88	5.00	8	52	16.6	N/A
	(315.0)	(209.6)					(168.1)	(22.4)	(127.0)		(24)	(421.6)	
3.0" (80mm), PN 10-40	7.88	7.87	7.21	5.82	9.57	0.48	6.30	0.71	5.43	8	40	16.6	N/A
	(199.9)	(199.9)					(160.0)	(18.0)	(138.0)		(18)	(421.6)	
4.0" (100mm), 150lb	9.84	9.00	7.91	6.17	10.01	0.65	7.50	0.75	6.19	8	48	16.6	N/A
	(249.9)	(228.6)					(190.5)	(19.1)	(157.2)		(22)	(421.6)	
4.0" (100mm), 300lb	10.88	10.00	7.91	6.17	10.01	0.65	7.88	0.88	6.19	8	55	16.6	N/A
	(276.4)	(254.0)					(200.2)	(22.4)	(157.2)		(30)	(421.6)	
4.0" (100mm), 600lb	12.83	10.75	7.91	6.17	10.01	0.65	8.50	1.00	6.19	8	75	16.6	N/A
	(325.9)	(273.1)					(215.9)	(25.4)	(157.2)		(34)	(421.6)	
4.0" (100mm), PN 10-16	9.84	8.66	7.91	6.17	10.01	0.65	7.09	0.71	6.22	8	48	16.6	N/A
	(249.9)	(220.0)					(180.1)	(18.0)	(158.0)		(22)	(421.6)	
4.0" (100mm), PN 25	9.84	9.25	7.91	6.17	10.01	0.65	7.48	0.87	6.38	8	65	16.6	N/A
	(249.9)	(235.0)					(190.0)	(22.1)	(162.0)		(30)	(421.6)	
4.0" (100mm), PN 40	9.84	9.25	7.91	6.17	10.01	0.65	7.48	0.87	6.38	8	65	16.6	N/A
	(249.9)	(235.0)					(190.0)	(22.1)	(162.0)		(30)	(421.6)	

ROSEMOUNT
MINNEAPOLIS, MINN.

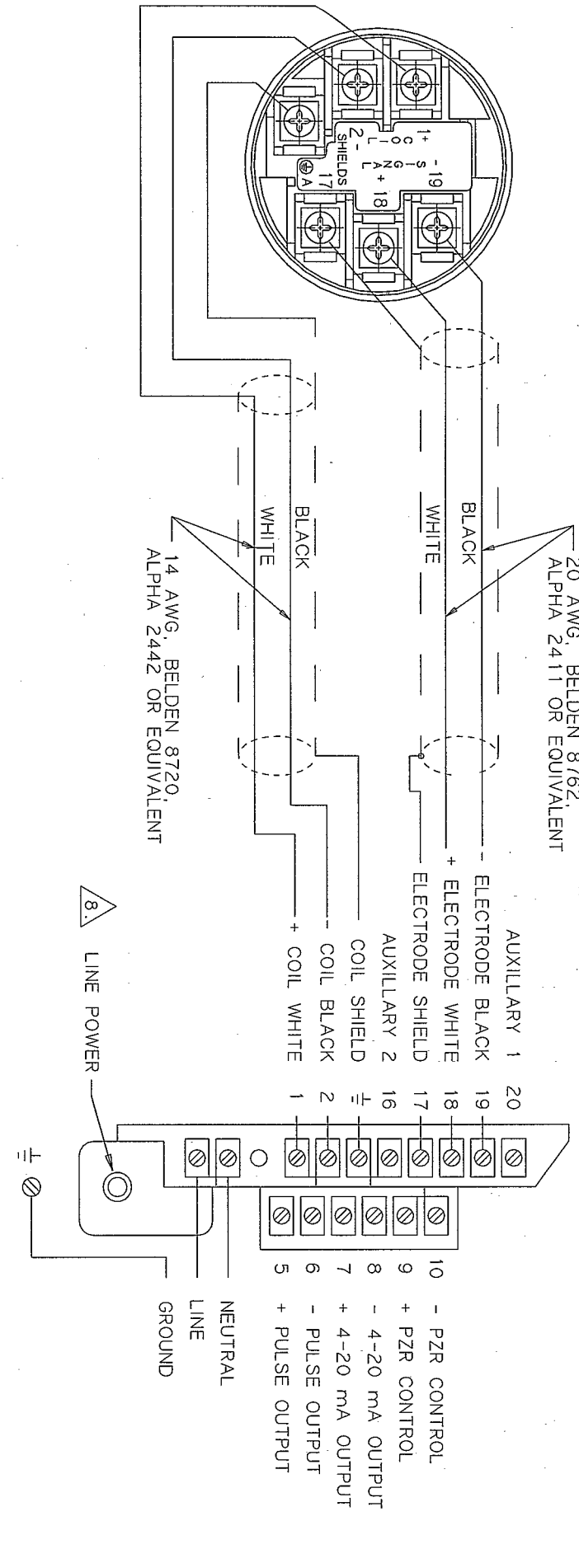
THIS DRAWING WAS CREATED ON CAD
VELLUM MASTER IS NOT TO BE CHANGED
DRAWING IS ARCHIVED ON MAGNETIC TAPE
FOR ECO CHANGES.

FILE NAME: _____
SIZE: A
FSCM NO. 04274
DRAWING NO. 8705-0021
SCALE: _____ WT. _____ SHEET 3 OF 7

DR _____ ISSUE _____

MODEL 8705 FLOWTUBE

MODEL 8712C TRANSMITTER



8. 1 AMP FOR 115 VAC SYSTEM, 1/2 AMP FOR 230 AC SYSTEM AND 3 AMP FOR 10-30V dc SYSTEMS. USE QUICK ACTING BUSSMAN AGCT OR EQUIVLANT.
9. CONSULT PRODUCT MANUAL FOR DETAILED INFORMATION ON INSTALLATION OPERATION OR MAINTENANCE FAILURE TO DO SO COULD RESULT IN PERSONAL INJURY OR DAMAGE TO PRODUCT OR PROPERTY.
10. TRANSMITTER TO FLOW TUBE WIRING MAY BE WIRED THRU SINGLE CONDUIT OPENING. BOTH CABLES MUST BE SHIELDED.

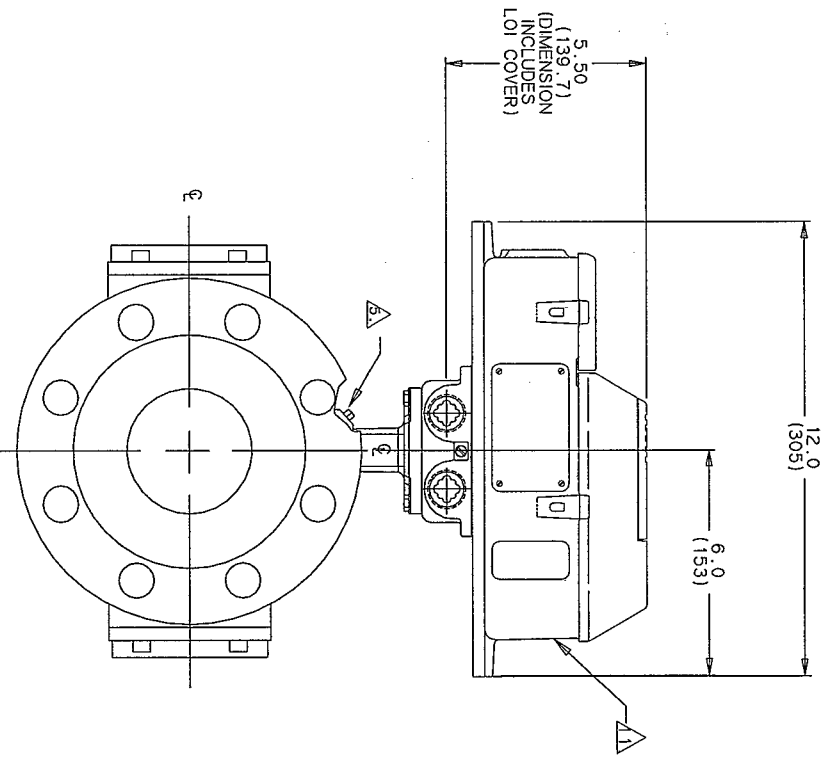
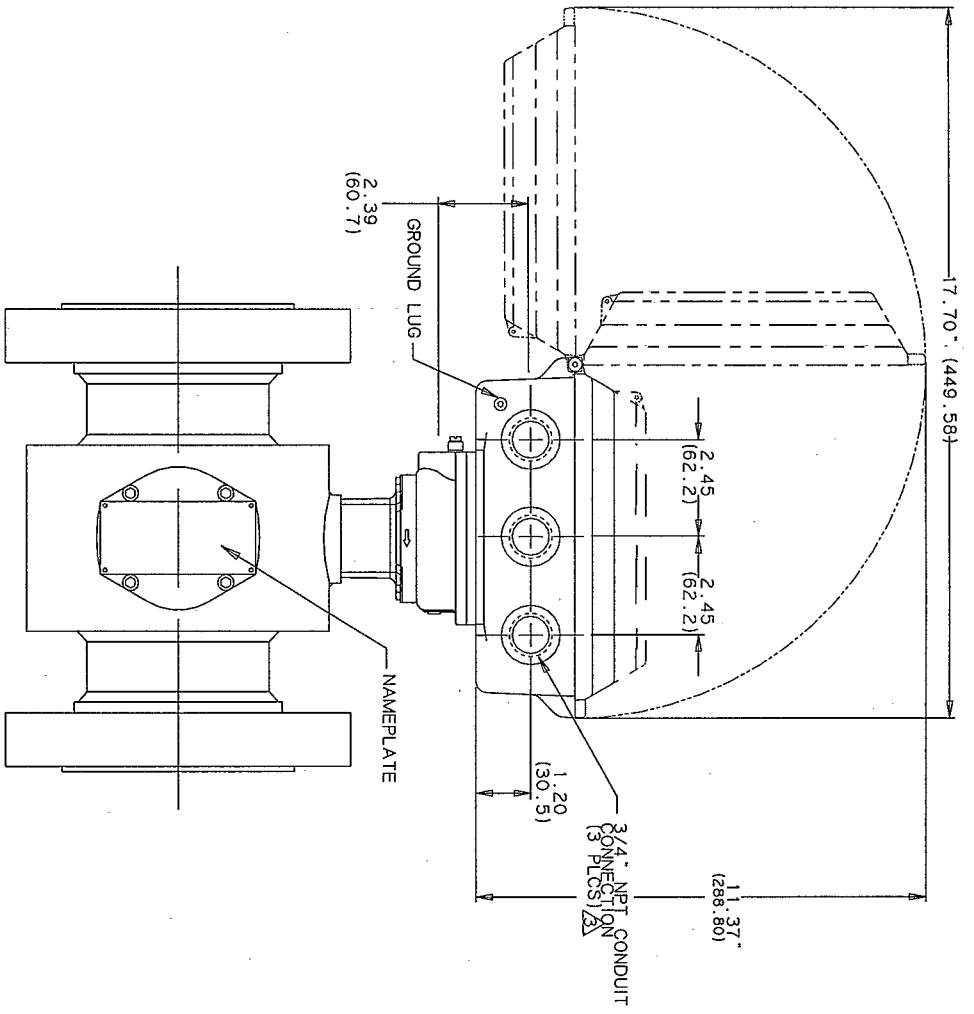
ROSEMOUNT[®] INC.
MINNEAPOLIS, MINN.

DR _____
ISSUE _____

THIS DRAWING WAS CREATED ON CAD VELLUM MASTER IS NOT TO BE CHANGED FOR ECO CHANGES.

FILE NAME: _____
SIZE: FSQM NO. 04274
DRAWING NO. 08705-0021

SCALE: _____ WT. _____ SHEET 4 OF 7

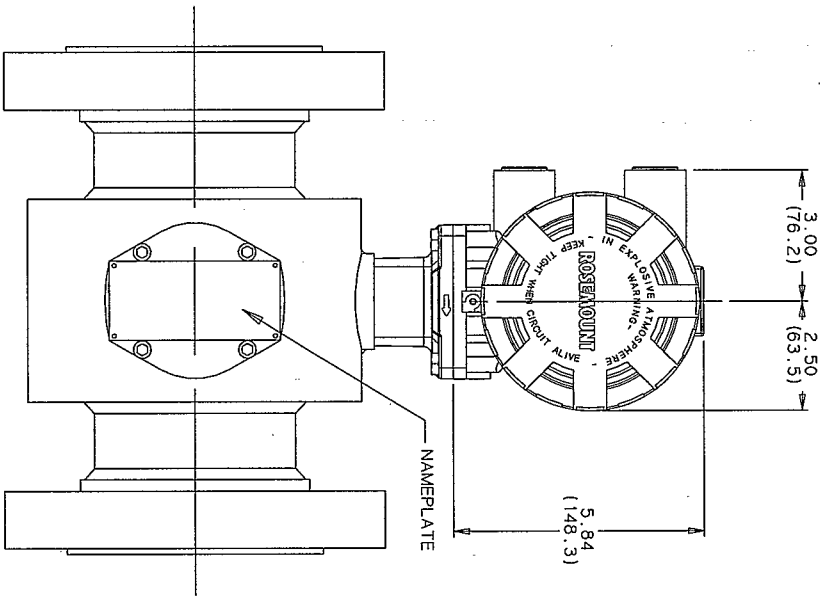
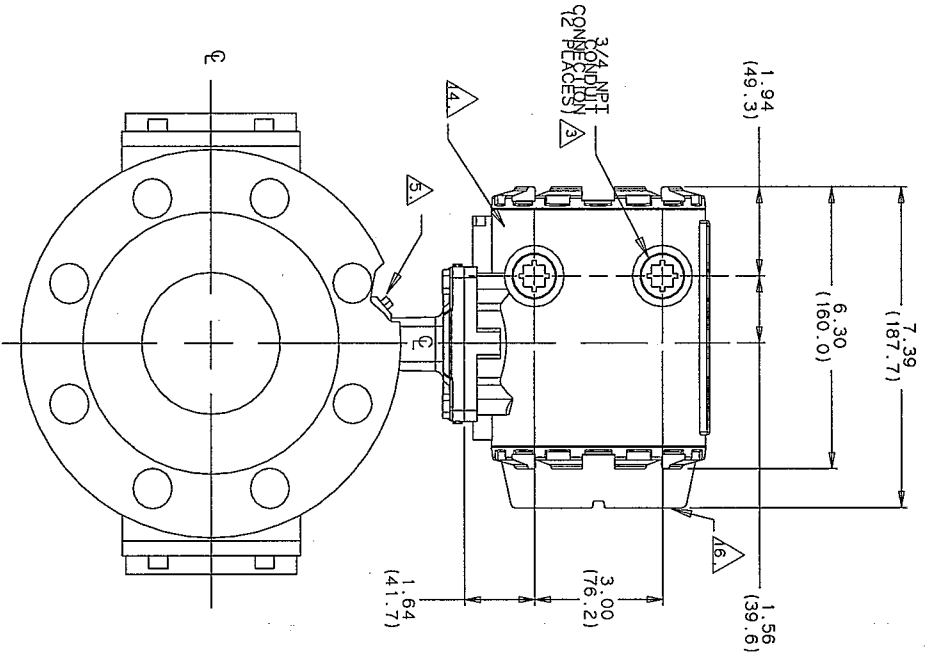


INTEGRAL MOUNT WITH 8712 C/U

- 13. ADD 3lbs. TO TRANSMITTER FOR INTEGRAL MOUNT
- 12. REFERENCE SHEETS 1-4 FOR FLOWTUBE DIMENSIONS.
- 11. TRANSMITTER CAN BE INTEGRALLY MOUNTED IN 90 DEGREE INCREMENTS.

ROSEMOUNT[®] INC.
MINNEAPOLIS, MINN.

THIS DRAWING WAS CREATED ON CAD. VELLUM MASTER IS NOT TO BE CHANGED FOR ECO CHANGES.
FILE NAME:
SIZE: A
FORM NO.: 04274
DRAWING NO.: 08705-0021
SCALE: WT. SHEET 5 OF 7



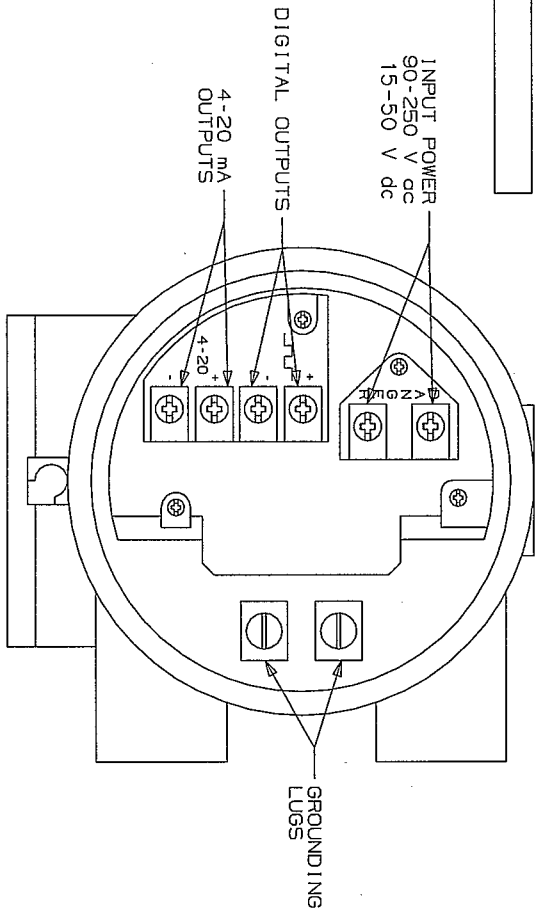
INTEGRAL MOUNT WITH 8732C

- △6 OPTIONAL LOCAL OPERATOR INTERFACE (M4 OPTION).
- 15. REFERENCE SHEETS 1-4 FOR FLOWTUBE DIMENSIONS.
- △4 TRANSMITTER CAN BE INTEGRALLY MOUNTED IN 90 DEGREE INCREMENTS.

ROSEMOUNT [®] INC. MINNEAPOLIS, MINN.			
THIS DRAWING WAS CREATED ON CAD VELLUM MASTER IS NOT TO BE CHANGED DRAWING IS ARCHIVED ON MAGNETIC TAPE FOR ECO CHANGES.			
DR	SIZE	FILE NAME:	DRAWING NO.
ISSUE	A	04274	08705-0021
	SCALE:	WT.	SHEET 6 OF 7

TABLE 3 - TRANSMITTER MODEL SELECTION

MODEL	8732C	MAGNETIC FLOWMETER TRANSMITTER		
CODE	T	INTEGRAL (MOUNTED TO MODELS 8705 OR 8711 FLOWTUBES ONLY)		
CODE	12	POWER SUPPLY VOLTAGE		
CODE	03	90-250 V ac 15-50 V dc		
CODE	ED	CODE OPTIONS		
ED		KEMA/CENELEC APPROVALS		
E5		FACTORY MUTUAL (FM) APPROVALS, CLASSI, DIVISION 1		
E6		CSA APPROVALS, CLASSI, DIVISION 1		
M4		LOCAL OPERATOR INTERFACE		
C1		CUSTOM CONFIGURATION		
T1		NON-VOLATILE TOTALIZER		
L1		TRANSIENT PROTECTION CIRCUITRY		
J1		CM20 CONDUIT ADAPTERS		
J2		PG 13.5 CONDUIT ADAPTERS		
D1		HIGH-ACCURACY CALIBRATION		
8732C	T	12	ED	TYPICAL MODEL NUMBER



ROSEMOUNT[®] INC.
MINNEAPOLIS, MINN.

THIS DRAWING WAS CREATED ON CAD. VELLUM MASTER IS NOT TO BE CHANGED. DRAWING IS ARCHIVED ON MAGNETIC TAPE FOR ECO CHANGES.
FILE NAME:
SIZE: FSCM NO. 04274
DRAWING NO. 08705-0021
SCALE: WT. SHEET 7 OF 7