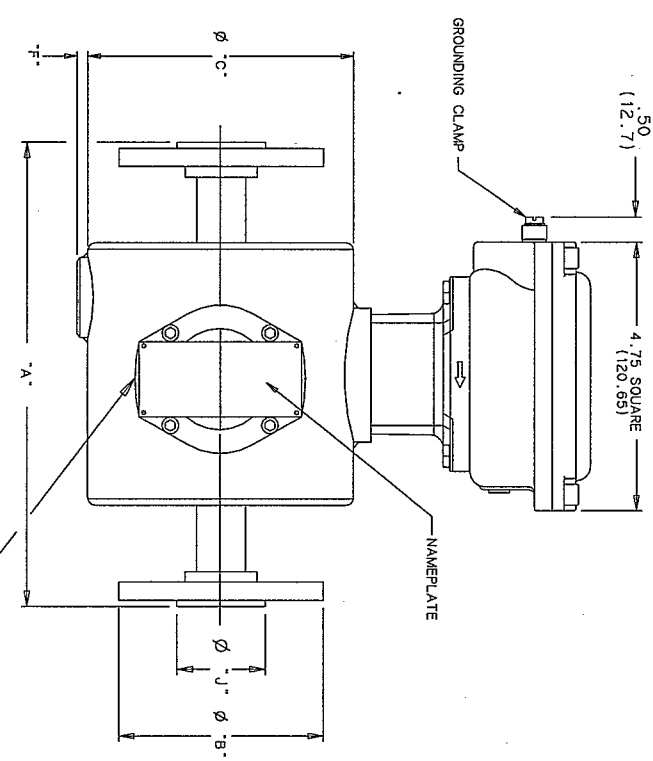
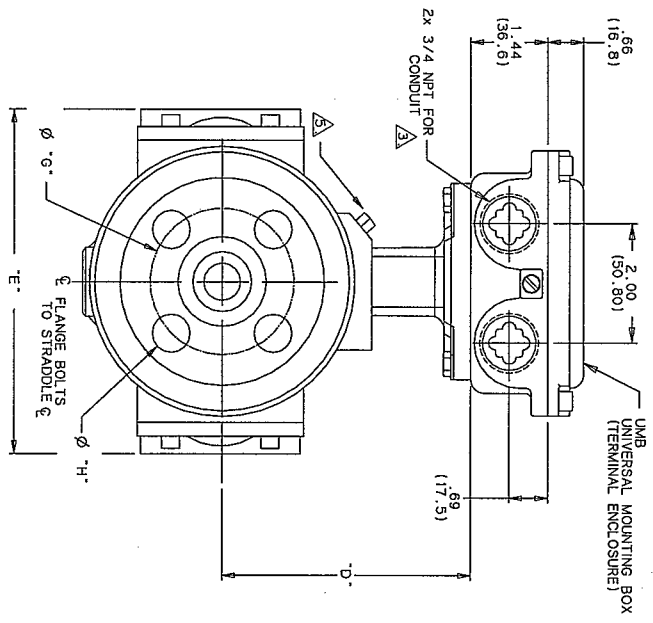


METER SIZE	OVERALL LENGTH		FLANGE BODY DIAMETER		CL TO UMB MOUNT PAD		BODY WIDTH		OPTIONAL GROUND ELECTRODE COMPARTMENT		BOLT HOLE CRICLE DIM.		BOLT HOLE DIAMETER		RAISED FACE DIAMETER		NO. OF EQUALLY SPACED BOLT HOLES	FLOW TUBE WEIGHT	H1 OPTION LAY LENGTH	A3 OPTION LAY LENGTH
	DIM "A" ±.12 (3.0)	DIM "B" REF	DIM "C" ±.10 (2.5)	DIM "D" ±.20 (5.1)	DIM "E" ±.15 (3.8)	DIM "F" ±.15 (3.8)	DIM "G" ±.08 (1.5)	DIM "H" ±.02 (.5)	DIM "J" ±.03 (1.8)	DIM "K" ±.02 (.5)	DIM "L" ±.02 (.5)	DIM "M" ±.02 (.5)	DIM "N" ±.02 (.5)	DIM "O" ±.02 (.5)	DIM "P" ±.02 (.5)	DIM "Q" ±.02 (.5)				
0.5" (15mm), 150lb	7.88 (200.2)	3.50 (89.9)	4.50 (114.3)	4.41 (112.0)	6.88 (174.8)	0.17 (4.3)	2.38 (60.5)	0.62 (15.7)	1.38 (35.1)	4	20	14.4 (365.8)	13.78 (350.0)							
0.5" (15mm), 300lb	7.88 (200.2)	3.75 (95.3)	4.50 (114.3)	4.41 (112.0)	6.88 (174.8)	0.17 (4.3)	2.62 (66.5)	0.62 (15.7)	1.38 (35.1)	4	22	14.4 (365.8)	13.78 (350.0)							
0.5" (15mm), PN 10-40	7.88 (200.2)	3.75 (95.3)	4.50 (114.3)	4.41 (112.0)	6.88 (174.8)	0.17 (4.3)	2.62 (66.5)	0.62 (15.7)	1.38 (35.1)	4	22	14.4 (365.8)	13.78 (350.0)							
1.0" (25mm), 150lb	7.88 (200.2)	4.25 (108.0)	4.50 (114.3)	4.41 (112.0)	7.34 (186.4)	0.17 (4.3)	3.12 (79.2)	0.62 (15.7)	1.38 (35.1)	4	20	14.4 (365.8)	13.78 (350.0)							
1.0" (25mm), 300lb	7.88 (200.2)	4.58 (117.4)	4.50 (114.3)	4.41 (112.0)	7.34 (186.4)	0.17 (4.3)	3.50 (89.9)	0.75 (19.1)	1.38 (35.1)	4	22	14.4 (365.8)	13.78 (350.0)							
1.0" (25mm), 600lb	7.88 (200.2)	4.98 (126.4)	4.50 (114.3)	4.41 (112.0)	7.34 (186.4)	0.17 (4.3)	3.50 (89.9)	0.75 (19.1)	1.38 (35.1)	4	24	14.4 (365.8)	13.78 (350.0)							
1.0" (25mm), PN 10-40	7.88 (200.2)	4.98 (126.4)	4.50 (114.3)	4.41 (112.0)	7.34 (186.4)	0.17 (4.3)	3.50 (89.9)	0.75 (19.1)	1.38 (35.1)	4	24	14.4 (365.8)	13.78 (350.0)							



REVISIONS			
ZONE	REV	DESCRIPTION	CHG. NO.
AA	UPDATE DRAWING	RTIC1000299	

- ROSEMOUNT INC. CERTIFIES THESE DRAWINGS ARE IN ACCORDANCE WITH ROSEMOUNT ENG. SPECIFICATIONS AND ACCURATELY REPRESENTS THE EQUIPMENT FURNISHED.
- CONSULT PRODUCT MANUAL FOR DETAILED INFORMATION ON INSTALLATION, OPERATION OR MAINTENANCE FAILURE TO DO SO COULD RESULT IN PERSONAL INJURY OR DAMAGE TO PRODUCT OR PROPERTY.
- PRESSURE RELIEF VALVE AVAILABLE WITH SEALED WELDED HOUSING (W1 OPTION) ONLY.
- ADD .25 (6.4) TO TUBE LENGTH WHEN GROUNDING RINGS OR LINING PROTECTORS ARE ATTACHED
- PLUG UNUSED CONDUIT HOLES.
- SEE TABLE 1 FOR MODEL SELECTION.
- UPPER DIMENSIONS ARE IN INCHES. LOWER DIMENSIONS SHOWN IN PARENTHESES ARE IN MILLIMETERS.

THIS DRAWING WAS CREATED ON CAD. YELLUM MASTER IS NOT TO BE CHANGED. DRAWING IS ARCHIVED ON MAGNETIC TAPE FOR ECO CHANGES.

UNLESS OTHERWISE SPECIFIED DIMENSIONS IN INCHES

-TOLERANCE-

DECIMALS FRACTIONS ±1/32 ANGLES ±2°

APP'D. DR. ERIC LOWMASHN 02/18/93

ROSEMOUNT INC. CHANNASSEN, MINNESOTA

TITLE OUTLINE INSTALLATION DRAWING FOR MODEL 8705 0.5 AND 1 INCH MAGNETIC FLOWTUBES AND WITH INTEGRALLY MOUNTED TRANSMITTERS

SIZE FSCM NO. DRAWING NO. 08705-0020

SCALE: NONE WT. SHEET 1 OF 6

TABLE 1 - FLOWTUBE MODEL SELECTION

MODEL	MAGNETIC FLOWTUBE
8705	
CODE	LINING MATERIAL
T	PTFE (TEFLON)
F	ETFE (TEFZEL)
P	POLYURETHANE
N	NEOPRENE
G	NATURAL RUBBER
} AVAILABLE IN 1-1/2 THROUGH 36 INCH (40-900 mm) LINE SIZES.	
CODE	ELECTRODE MATERIAL
S	316 STAINLESS STEEL
P	TITANIUM
H	PALTIUM
N	HASTELLOY
} AVAILABLE IN 1-1/2 THROUGH 36 INCH (40-900 mm) LINE SIZES.	
CODE	ELECTRODE CONSTRUCTION
A	TWO ELECTRODES PLUS ONE GROUND ELECTRODE
R	TWO FIELD-REPLACEMENTABLE ELECTRODES (NOT AVAILABLE ON 1/2-1 INCH. 1.5-4 INCH NO SEALED ELECTRODE COMPARTMENT AVAILABLE ACCESS ONLY)
B	TWO BULLET NOSE ELECTRODES
CODE	LINE SIZE
005	.50" (15)
015	1.50" (40)
018	1.80" (45)
020	2.00" (50)
025	2.50" (60)
030	3.00" (75)
040	4.00" (100)
050	5.00" (125)
060	6.00" (150)
080	8.00" (200)
100	10.00" (250)
120	12.00" (300)
140	14.00" (350)
160	16.00" (400)
180	18.00" (450)
200	20.00" (500)
240	24.00" (610)
300	30.00" (762)
360	36.00" (914)
CODE	FLANGE MATERIAL
S	CARBON STEEL
G	STAINLESS STEEL 304
CODE	FLANGE RATING
1	ANSI CLASS 150
3	ANSI CLASS 300
6	ANSI CLASS 600
D	DIN PN 10
E	DIN PN 16
F	DIN PN 25
H	DIN PN 40
CODE	OPTIONS
G	GROUNDING RINGS
L	LINING PROTECTOR
CODE	OPTIONS
1	316L SST
2	HASTELLOY C-276
3	TITANIUM
4	TANTALUM
CODE	OPTIONS
W1	STANDARD SEALED, WELDED HOUSING WITHOUT
H1	SEALED ELECTRODE COMPARTMENTS
B1	FLOWTUBE WITH MODEL 8701 LAY LENGTH
B3	INTEGRAL MOUNT WITH MODEL 8712C TRANSMITTER
KD	INTEGRAL MOUNT WITH MODEL 8732C TRANSMITTER
04	KEMA/CENELEC APPROVAL
08	CALIBRATION DATA SHEET
09	MATERIAL CERTIFICATE OF CONFORMANCE ISO 10474-3.1B
05	MATERIAL CERTIFICATE OF CONFORMANCE ISO 10474-3.1B ELECTRODES ONLY
05	HYDROSTATIC TEST CERTIFICATION
A3	3A SANITARY APPROVAL WITH TRI CLAMP ADAPTERS (AVAILABLE FOR .50-3 IN. W1 OPTION ONLY)

TYPICAL MODEL NUMBER

8705 T S A 040 C I G I 04

ROSEMOUNT[®] INC.
MINNEAPOLIS, MINN.

DR _____
ISSUE _____

THIS DRAWING WAS CREATED ON CAD
VELLUM MASTER IS NOT TO BE CHANGED.
DRAWING IS ARCHIVED ON MAGNETIC TAPE
FOR ECO CHANGES.

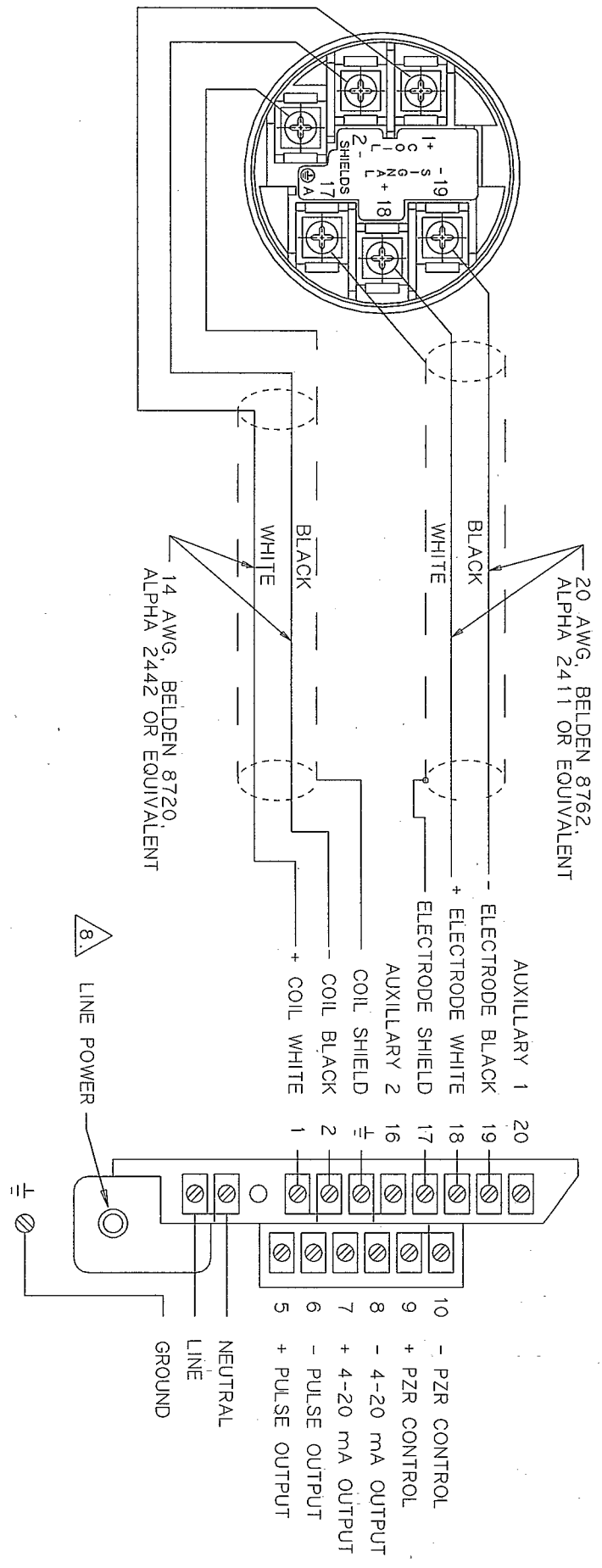
FILE NAME: _____

SIZE: FSCM NO. A 04274 DRAWING NO. 08705-0020

SCALE: _____ WT. SHEET 2 OF 6

MODEL 8705 FLOWTUBE

MODEL 8712C TRANSMITTER



8. 1 AMP FOR 115 VAC SYSTEM, 1/2 AMP FOR 230 AC SYSTEM AND 3 AMP FOR 10-30V dc SYSTEMS. USE QUICK ACTING BUSSMAN AGCI OR EQUIVALENT.
9. CONSULT PRODUCT MANUAL FOR DETAILED INFORMATION ON INSTALLATION, OPERATION, OR MAINTENANCE. FAILURE TO DO SO COULD RESULT IN PERSONAL INJURY OR DAMAGE TO PRODUCT OR PROPERTY.
10. TRANSMITTER TO FLOW TUBE WIRING MAY BE WIRED THRU SINGLE CONDUIT OPENING. BOTH CABLES MUST BE SHIELDED.

ROSEMOUNT INC.
MINNEAPOLIS, MINN.

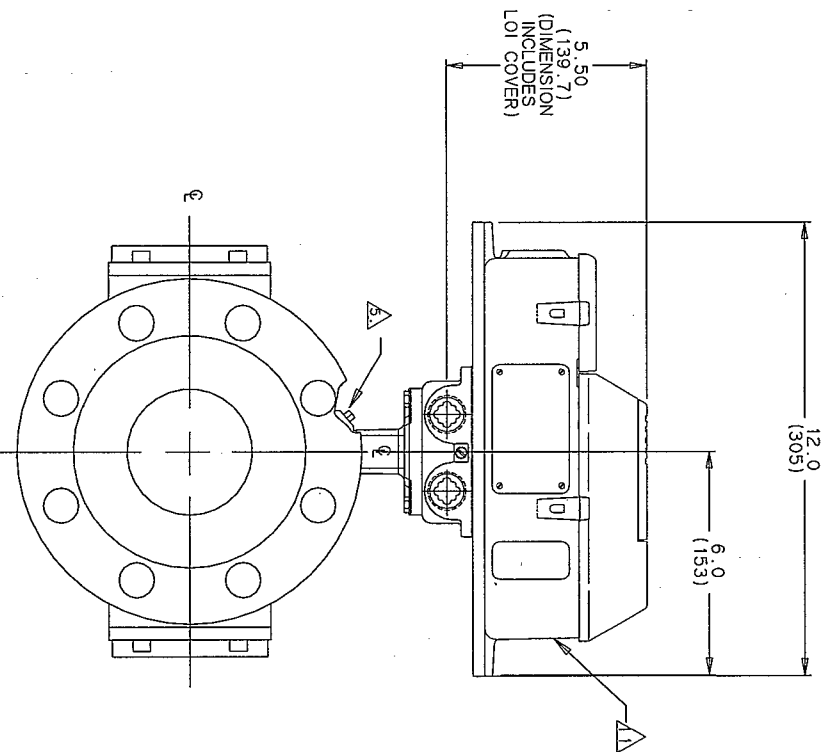
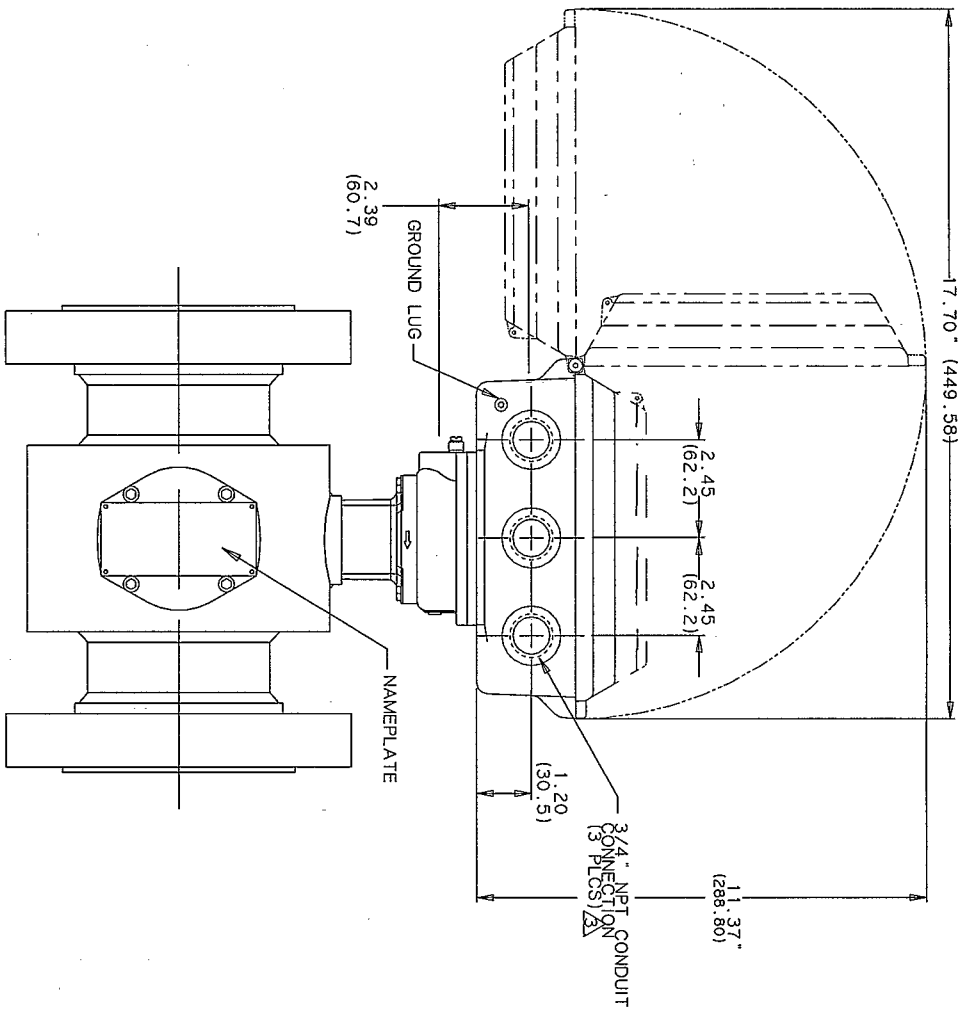
DR _____
ISSUE _____

THIS DRAWING WAS CREATED ON CAD VELLUM MASTER IS NOT TO BE CHANGED FOR ECO CHANGES.

FILE NAME: _____

SIZE: A
FORM NO. 04274
SCALE: _____

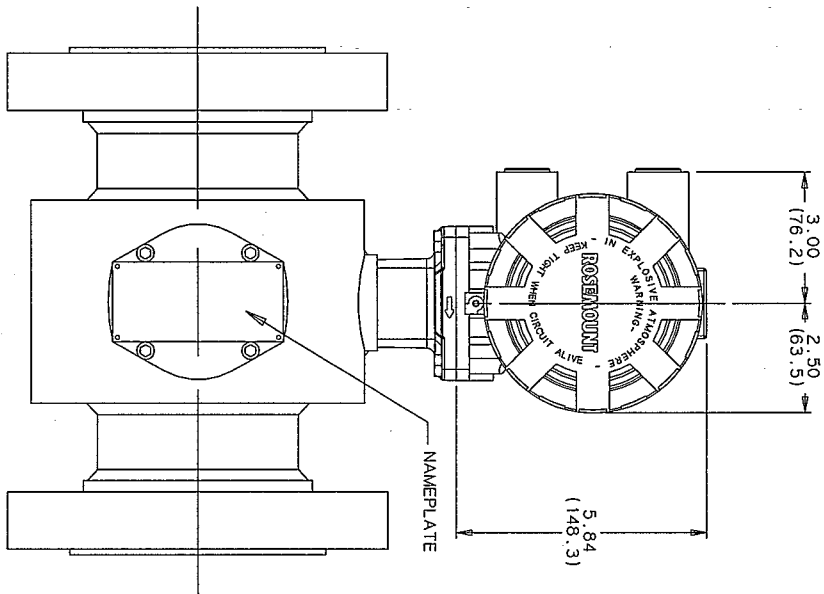
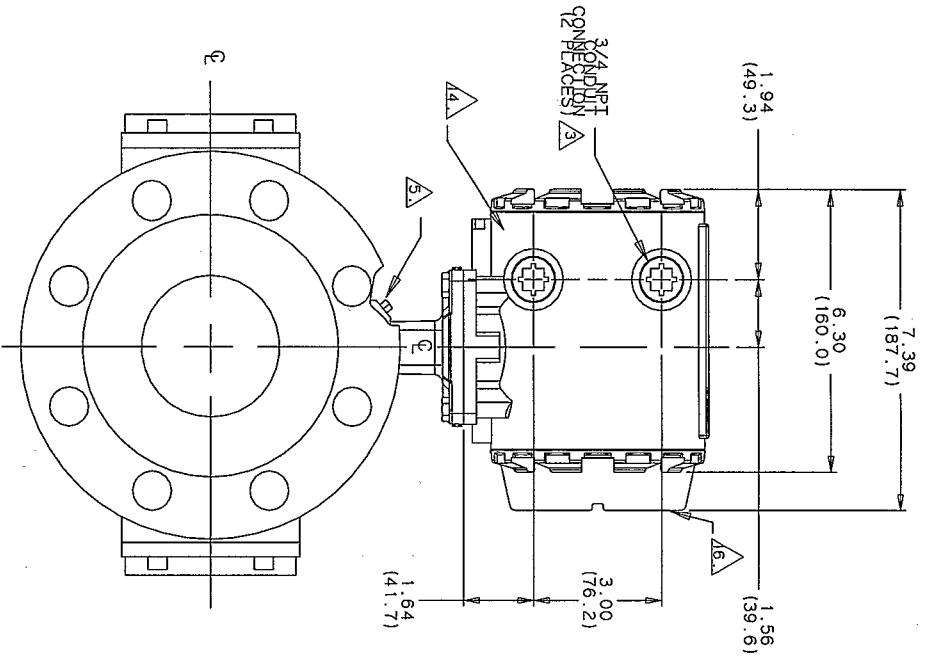
DRAWING NO. 08705-0020
SHEET 3 OF 6



INTEGRAL MOUNT WITH 8712 C/U

13. ADD 3lbs. TO TRANSMITTER FOR INTEGRAL MOUNT
12. REFERENCE SHEETS 1-4 FOR FLOWTUBE DIMENSIONS.
11. TRANSMITTER CAN BE INTEGRALLY MOUNTED IN 90 DEGREE INCREMENTS.

ROSEMOUNT [®] INC. MINNEAPOLIS, MINN.		THIS DRAWING WAS CREATED ON CAD VELLUM MASTER IS NOT TO BE CHANGED. DRAWING IS ARCHIVED ON MAGNETIC TAPE FOR ECO CHANGES.	
		FILE NAME: SIZE FSCM, IN.	DRAWING NO.
DR ISSUE	A 04274	08705-0020	SHEET 4 OF 6



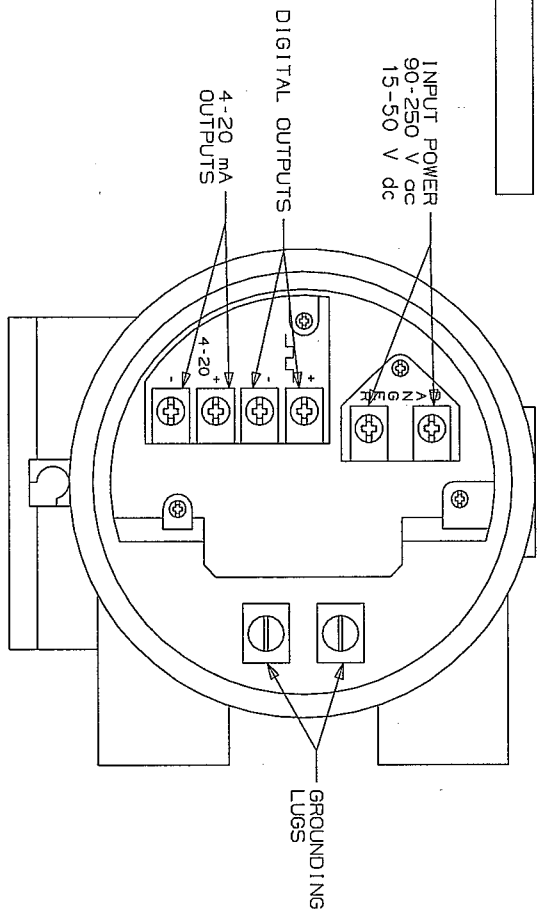
INTEGRAL MOUNT WITH 8732C

- 16. OPTIONAL LOCAL OPERATOR INTERFACE (M4 OPTION).
- 15. REFERENCE SHEETS 1-4 FOR FLOWTUBE DIMENSIONS.
- 14. TRANSMITTER CAN BE INTEGRALLY MOUNTED IN 90 DEGREE INCREMENTS.

ROSEMOUNT INC. MINNEAPOLIS, MINN.			
THIS DRAWING WAS CREATED ON CAD VELLUM MASTER IS NOT TO BE CHANGED FOR ECO CHANGES.			
DR	SIZE	FSCM NO.	DRAWING NO.
ISSUE	A	04274	08705-0020
SCALE:		WT.	SHEET 5 OF 6

TABLE 3 - TRANSMITTER MODEL SELECTION

MODEL 8732C	MAGNETIC FLOWMETER TRANSMITTER			
CODE	TRANSMITTER STYLE			
T	INTEGRAL (MOUNTED TO MODELS 8705 OR 8711 FLOWTUBES ONLY)			
CODE	POWER SUPPLY VOLTAGE			
12	90-250 V ac			
03	15-50 V dc			
CODE	OPTIONS			
ED	KEMA/GENIELEC APPROVALS			
E3	FACTORY MUTUAL (FM) APPROVALS, CLASSI, DIVISION1			
E6	CSA APPROVALS, CLASSI, DIVISION1			
M4	LOCAL OPERATOR INTERFACE			
C1	CUSTOM CONFIGURATION			
T1	NON-VOLATILE TOTALIZER			
L1	TRANSIENT PROTECTION CIRCUITRY			
J1	CM20 CONDUIT ADAPTERS			
J2	PG 13.5 CONDUIT ADAPTERS			
D1	HIGH-ACCURACY CALIBRATION			
8732C	T	12	ED	← TYPICAL MODEL NUMBER



ROSEMOUNT® INC.
MINNEAPOLIS, MINN.

THIS DRAWING WAS CREATED ON CAD. VELLUM MASTER IS NOT TO BE CHANGED. DRAWING IS ARCHIVED ON MAGNETIC TAPE FOR ECO CHANGES.

FILE NAME: _____
SIZE: A
FSCM NO.: 04274
DRAWING NO.: 08705-0020

DR _____
ISSUE _____

SCALE: _____ WT. _____ SHEET 6 OF 6