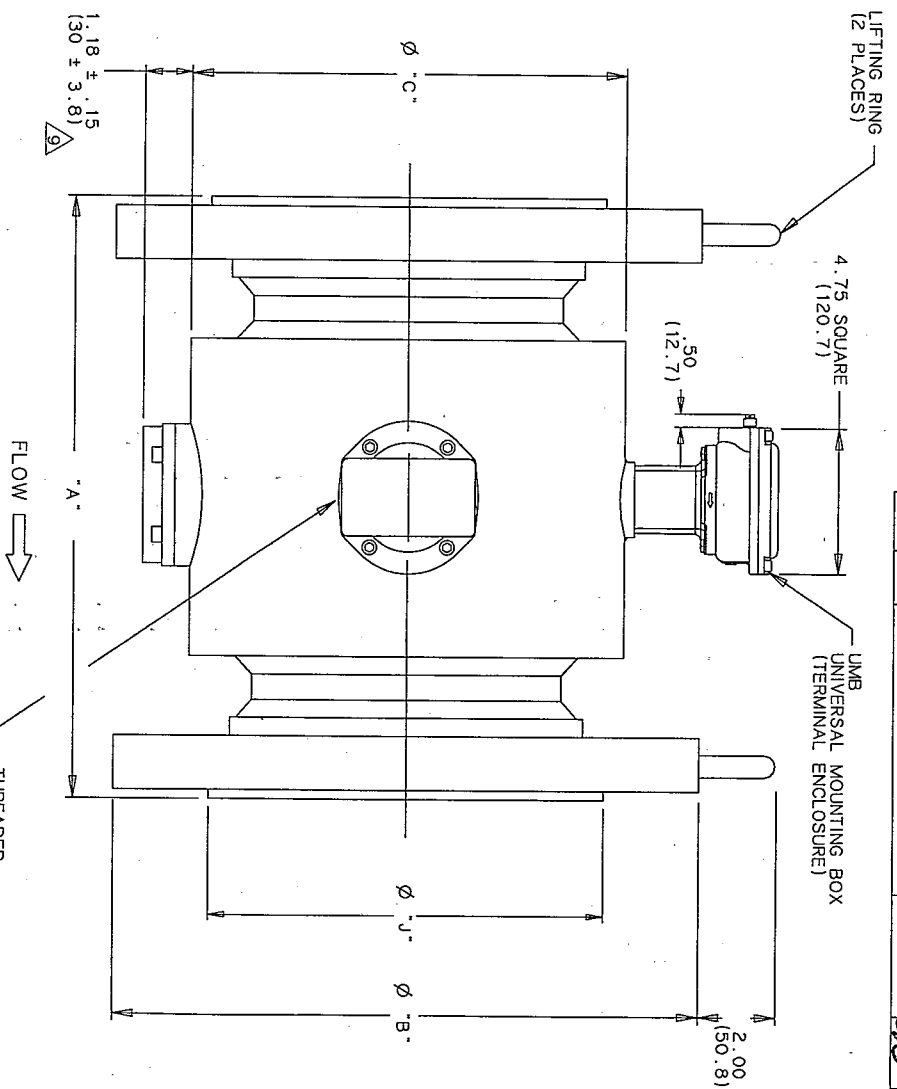
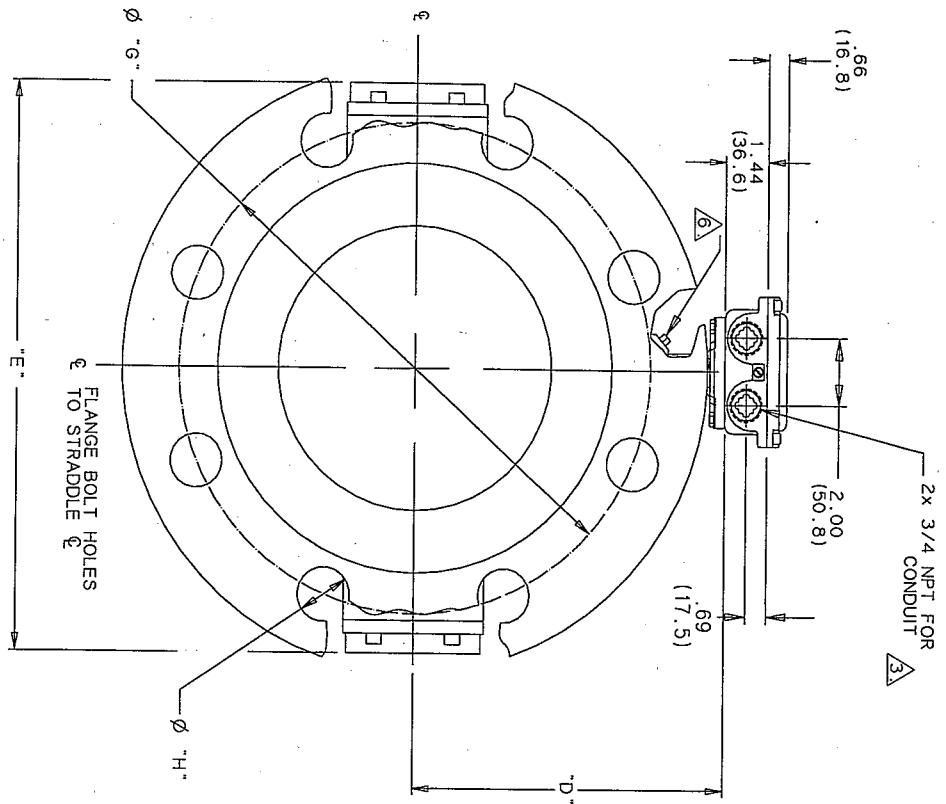


REVISIONS					
ZONE	REV	DESCRIPTION	CHG. NO.	APP'D	DATE
AB	ADD	600lb, 10 in., Poly	RTC1005467	<i>[Signature]</i>	11/19/98



1. OPTIONAL GROUND ELECTRODE COMPARTMENT
2. ROSEMOUNT INC. CERTIFIES THESE DRAWINGS ARE IN ACCORDANCE WITH ROSEMOUNT ENG. SPECIFICATIONS AND ACCURATELY REPRESENTS THE EQUIPMENT FURNISHED.
3. CONSULT PRODUCT MANUAL FOR DETAILED INFORMATION ON INSTALLATION, OPERATION, OR MAINTENANCE. FAILURE TO DO SO COULD RESULT IN PERSONAL INJURY OR DAMAGE TO PRODUCT OR PROPERTY.
4. PRESSURE RELIEF VALVE AVAILABLE WITH SEALED WELDED HOUSING (W OPTION) ONLY.
5. ADD .25 (6.4) FOR 10 AND 12 IN. TUBES AND .50 (12.8) FOR 14 THRU 36 IN. TUBES WHEN LINING PROTECTORS ARE ATTACHED.
6. ADD .25 (6.4) TO FLOW TUBE LENGTH WHEN GROUNDING RINGS ARE ATTACHED.
7. PLUG UNUSED CONDUIT HOLES.
8. SEE TABLE 1 FOR MODEL SELECTION.
9. UPPER DIMENSIONS ARE IN INCHES. LOWER DIMENSIONS SHOWN IN PARENTHESES ARE IN MILLIMETERS.

THIS DRAWING WAS CREATED ON CAD. YELLUM MASTER IS NOT TO BE CHANGED. DRAWING IS ARCHIVED ON MAGNETIC TAPE FOR ECO CHANGES.

UNLESS OTHERWISE SPECIFIED DIMENSIONS IN INCHES		-TOLERANCE-	
DECIMALS	FRACTIONS	ANGLES	
.XX ± .02	± 1/32	± 2°	
.XXX ± .010			

DO NOT SCALE PRINT

DR. JOHN ARNSTROM	11-17-98	TITLE	OUTLINE INSTALLATION DRAWING FOR
DR. J. [Signature]		MODEL	8705-10
APP'D			MAGNETIC FLOW TUBES AND WITH
			INTEGRALLY MOUNTED TRANSMITTERS
APP'D		SIZE	FSCA. NO.
SPECIALS		A	04274
		SCALE: NONE	WT.
		SHEET	1 OF 8

ROSEMOUNT INC. CHANHASSEN, MINNESOTA

DRAWING NO. 08705-0026

TABLE 1- FLOWTUBE MODEL SELECTION

MODEL 8705	MAGNETIC FLOWTUBE									
	CODE	LINING MATERIAL								
	T F P N L	PTFE (TEFLON) ETFE (TEFZEL) POLYURETHANE NEOPRENE LINATEX								
		} AVAILABLE IN 1-1/2 THROUGH 36 INCH (40-900 mm) LINE SIZES.								
	CODE	ELECTRODE MATERIAL								
	S T P H N C R B Z W A K M	316L STAINLESS STEEL TANTALUM PLATINUM-10% IRIIDIUM HASTELLOY C-276 TITANIUM CARPENTER 20 316 SST HASTELLOY B ZIRCONIUM TUNGSTEN CARBIDE COATED 316L HAYNES ALLOY 25B NICKEL MONEL								
	CODE	ELECTRODE CONSTRUCTION								
	A E R B	TWO ELECTRODES TWO ELECTRODES PLUS ONE GROUND ELECTRODE TWO FIELD-REPLACEABLE ELECTRODES (NOT AVAILABLE ON 1/2-1 INCH, 1.5-4 INCH NO SEALED ELECTRODE COMPARTMENT AVAILABLE ACCESS ONLY) TWO BULLET SHAPED ELECTRODES								
	CODE	LINE SIZE								
	005 010 015 020 030 040 060 080 100 120 140 160 180 200 240 300 360	.50" (15) 1.00" (25) 1.50" (40) 2.00" (50) 3.00" (80) 4.00" (100) 6.00" (150) 8.00" (200) 10.00" (250) 12.00" (300) 14.00" (356) 16.00" (406) 18.00" (457) 20.00" (508) 24.00" (610) 30.00" (762) 36.00" (914)								
	CODE	FLANGE MATERIAL								
	F C S	SST 316L CARBON STEEL STAINLESS STEEL 304								
	CODE	FLANGE RATING								
	1 3 6 7 D E F H	ANSI CLASS 150 ANSI CLASS 300 ANSI CLASS 600 ANSI CLASS 600 (FULL RATED) DIN PN 10 DIN PN 16 DIN PN 25 DIN PN 40								
	CODE	OPTIONS								
	G L	GROUNDING RINGS LINING PROTECTOR								
	CODE	OPTIONS								
	1 2 3 4 5 6	316L SST HASTELLOY C-276 TITANIUM TANTALUM (GROUNDING RING ONLY) 316L WITH 304SST RETAINING RING HASTELLOY C-276 WITH 304 SST RETAINING RING								
	CODE	OPTIONS								
	W1 W3 H1 B1 B3 KD Q4 Q8 Q9 A3 A4 A5 A6	ALL WELDED HOUSING (DOES NOT INCLUDE SEALED ELECTRODE COMPARTMENTS) NOT AVAILABLE WITH FIELD REPLACEABLE ELECTRODES (OPTIONS CODE R) OR IN 1/2 OR 1 INCH (15 OR 25mm) SIZES. ALL WELDED HOUSING WITH SEALED ELECTRODE COMPARTMENTS FLOWTUBE WITH MODEL 8701 LAY LENGTH 1/2-4". SPOOL PIECE INTEGRAL MOUNT WITH MODEL 8712C TRANSMITTER INTEGRAL MOUNT WITH MODEL 8732C TRANSMITTER KEMA/CENELEC APPROVAL CALIBRATION DATA SHEET MATERIAL CERTIFICATE OF CONFORMANCE ISO 10474-3.1B MATERIAL CERTIFICATE OF CONFORMANCE ISO 10474-3.1B ELECTRODES ONLY 3A SANITARY APPROVAL WITH TRI CLAMP ADAPTERS (AVAILABLE OR .50-3 IN. W1 OPTION ONLY) SANITARY 3A FOR ANSI 150 TO TRI-CLAMP (2 INCH SIZE ONLY) CHERRY BURRELL SANITARY 1-LINE (1/2 TO 3 INCH (15 TO 80 mm) SIZES CHERRY BURRELL SANITARY 1-LINE (2 1/2 INCH (64 mm) ONLY)								
	8705	T	S	A	040	C	I	G	I	Q4
										← TYPICAL MODEL NUMBER

ROSEMOUNT® INC.
MINNEAPOLIS, MINN.
DR
ISSUE

THIS DRAWING WAS CREATED ON CAD.
VELLUM MASTER IS NOT TO BE CHANGED.
DRAWING IS ARCHIVED ON MAGNETIC TAPE
FOR ECO CHANGES.
FILE NAME:
SIZE FSCM NO. 04274
DRAWING NO. 08705-0026
SCALE: WT. SHEET 2 OF 8

TABLE 2

METER SIZE	OVERALL LENGTH ±.16 (4.1)				FLANGE DIA.	BODY DIAMETER DIM "C" ±.10 (2.5)	CL. TO UMB MOUNT PAD DIM "D" ±.20 (5.1)	BODY WIDTH DIM "E" ±.15 (3.8)	BOLT HOLE CIRCLE DIA. DIM "G" ±.06 (1.5)	BOLT HOLE DIAMETER DIM "H" ±.02 (.5)	RAISED FACE DIAMETER DIM "J" ±.06 (1.5)	NO. OF EQUALLY SPACED BOLT HOLES	FLOW TUBE WEIGHT	H1 OPTION LAY LENGTH
	DIM "A" w/Flon	DIM "A" w/terzel	DIM "A" w/Neoprene/ Gun Rubber	DIM "A" w/Polyurethane										
10.0" (250mm), 150lb	15.00 (381.0)	14.90 (378.5)	15.00 (381.0)	15.00 (381.0)	16.00 (406.4)				14.25 (362.0)	1.00 (25.4)	12.75 (323.9)	12	220 (100)	20.0 (508.0)
10.0" (250mm), 300lb	17.13 (435.1)	17.03 (432.6)	17.13 (435.1)	17.13 (435.1)	17.50 (444.5)				15.25 (387.4)	1.12 (28.4)	12.75 (323.9)	16	300 (137)	21.5 (546.1)
10.0" (250mm), PN 10	15.00 (381.0)	14.90 (378.5)	15.00 (381.0)	15.00 (381.0)	15.55 (395.0)	14.64 (371.9)			13.78 (350.0)	0.87 (22.1)	12.60 (320.0)	12	220 (100)	20.0 (508.0)
10.0" (250mm), PN 16	15.00 (381.0)	14.90 (378.5)	15.00 (381.0)	15.00 (381.0)	15.94 (404.9)				13.98 (352.1)	1.02 (25.9)	12.60 (320.0)	12	220 (100)	20.0 (508.0)
10.0" (250mm), PN 25	15.00 (381.0)	14.90 (378.5)	15.00 (381.0)	15.00 (381.0)	16.73 (424.9)				14.57 (370.1)	1.18 (30.0)	13.19 (335.0)	12	220 (100)	20.0 (508.0)
10.0" (250mm), PN 40	17.13 (435.1)	17.03 (432.6)	17.13 (435.1)	17.13 (435.1)	17.72 (450.1)				15.16 (389.1)	1.30 (33.0)	13.58 (344.9)	12	300 (137)	21.5 (546.1)
10.0" (250mm), 600lb	N/A	N/A	N/A	N/A	20.0 (450.1)				17.00 (431.8)	1.38 (35.1)	12.75 (323.9)	16	550 (250)	N/A
12.0" (300mm), 150lb	18.00 (457.2)	17.90 (454.7)	18.00 (457.2)	18.00 (457.2)	19.00 (482.6)				17.00 (431.8)	1.00 (25.4)	15.00 (381.0)	12	330 (150)	21.0 (533.4)
12.0" (300mm), 300lb	20.14 (511.6)	20.03 (508.8)	20.13 (511.3)	20.14 (511.6)	20.30 (520.7)				17.75 (450.9)	1.25 (31.8)	15.00 (381.0)	16	435 (198)	22.0 (558.8)
12.0" (300mm), PN 10	18.00 (457.2)	17.90 (454.7)	18.00 (457.2)	18.00 (457.2)	17.52 (445.0)	16.80 (426.7)			15.75 (400.1)	0.87 (22.1)	14.57 (370.1)	12	330 (150)	21.0 (533.4)
12.0" (300mm), PN 16	18.00 (457.2)	17.90 (454.7)	18.00 (457.2)	18.00 (457.2)	18.11 (460.0)				16.14 (410.0)	1.02 (25.9)	14.88 (378.0)	12	330 (150)	21.0 (533.4)
12.0" (300mm), PN 25	18.00 (457.2)	17.90 (454.7)	18.00 (457.2)	18.00 (457.2)	19.09 (484.8)				16.93 (430.0)	1.16 (30.0)	15.55 (395.0)	16	330 (150)	21.0 (533.4)
12.0" (300mm), PN 40	20.14 (511.6)	20.03 (508.8)	20.13 (511.3)	20.14 (511.6)	20.28 (515.1)				17.72 (450.1)	1.30 (33.0)	16.14 (410.0)	16	435 (198)	22.0 (558.8)
14.0" (350mm), 150lb	21.00 (533.4)	20.93 (534.2)	21.03 (533.4)	21.00 (533.4)	23.00 (584.2)	18.92 (480.6)			18.50 (476.3)	1.12 (28.4)	16.25 (412.8)	20	573 (260)	24.0 (609.6)
14.0" (350mm), 300lb	23.25 (590.6)	23.18 (589.8)	23.28 (591.3)	23.25 (590.6)	23.00 (584.2)				20.25 (514.4)	1.25 (31.8)	16.25 (412.8)	20	573 (260)	24.0 (609.6)
14.0" (350mm), PN 10	21.00 (533.4)	20.93 (534.2)	21.03 (533.4)	21.00 (533.4)	21.00 (533.4)	19.88 (505.0)			18.11 (460.0)	0.87 (22.1)	16.93 (430.0)	16	370 (168)	24.0 (609.6)
14.0" (350mm), PN 16	21.00 (533.4)	20.93 (534.2)	21.03 (533.4)	21.00 (533.4)	20.47 (519.9)				18.50 (469.9)	1.02 (25.9)	17.24 (437.9)	16	370 (168)	24.0 (609.6)
14.0" (350mm), PN 25	23.25 (590.6)	23.18 (589.8)	23.28 (591.3)	23.25 (590.6)	23.83 (605.0)				19.29 (490.0)	1.30 (33.0)	17.72 (450.1)	16	370 (168)	24.0 (609.6)
14.0" (350mm), PN 40	23.25 (590.6)	23.18 (589.8)	23.28 (591.3)	23.25 (590.6)	23.50 (596.9)				20.08 (510.0)	1.42 (36.1)	18.31 (465.1)	16	573 (260)	24.0 (609.6)
16.0" (400mm), 150lb	26.25 (666.8)	26.15 (664.2)	26.25 (666.8)	26.25 (666.8)	25.50 (647.7)				21.25 (539.8)	1.12 (28.4)	18.30 (469.9)	16	500 (227)	26.0 (660.4)
16.0" (400mm), 300lb	28.25 (722.5)	28.15 (719.9)	28.25 (722.5)	28.25 (722.5)	25.50 (647.7)				22.50 (571.5)	1.38 (35.1)	18.50 (469.9)	20	755 (343)	26.0 (660.4)
16.0" (400mm), PN 10	24.00 (609.6)	23.90 (607.1)	24.00 (609.6)	24.00 (609.6)	22.24 (564.29)	20.94 (531.9)			20.67 (525.0)	1.02 (25.9)	18.29 (469.9)	16	500 (227)	26.0 (660.4)
16.0" (400mm), PN 16	24.00 (609.6)	23.90 (607.1)	24.00 (609.6)	24.00 (609.6)	22.83 (579.9)				21.65 (549.9)	1.42 (36.1)	19.88 (505.0)	16	500 (227)	26.0 (660.4)
16.0" (400mm), PN 25	26.25 (666.8)	26.15 (664.2)	26.25 (666.8)	26.25 (666.8)	25.98 (659.9)				23.03 (585.0)	1.54 (39.1)	21.06 (534.9)	16	755 (343)	26.0 (660.4)

THIS DRAWING WAS CREATED ON CAD.
VELLUM MASTER IS NOT TO BE CHANGED.
DRAWING IS ARCHIVED ON MAGNETIC TAPE
FOR ECO CHANGES.

ROSEMOUNT[®] INC.
MINNEAPOLIS, MINN.

DR _____

SCALE: _____

WT. _____

FILE NAME: _____

SIZE: _____

FSQM NO. _____

DRAWING NO. 8705-0026

SHEET 3 OF 8

TABLE 2

METER SIZE	OVERALL LENGTH ±.16 (4.1)				FLANGE DIA.	BODY DIAMETER DIM °C- ±.10 (2.5)	CL. TO UMB MOUNT PAD DIM °D- ±.20 (5.1)	BODY WIDTH DIM °E- ±.15 (3.8)	BOLT HOLE CIRCLE DIA. DIM °G- ±.06 (1.5)	BOLT HOLE DIAMETER DIM °H- ±.02 (.5)	RAISED FACE DIAMETER DIM °J- ±.06 (1.5)	NO. OF EQUALLY SPACED BOLT HOLES	FLOW TUBE WEIGHT	H1 OPTION LAY LENGTH
	DIM °A- w/1/8"n	DIM °A- w/1/16"	DIM °A- Gun Rubber	DIM °A- w/Polurethane										
18.0" (450mm), 150lb	27.00 (685.8)	26.87 (682.5)	26.97 (685.0)	27.00 (685.8)	25.00 (635.0)	23.46 (595.9)	14.10 (358.1)	25.82 (655.8)	22.75 (577.9)	1.25 (31.8)	21.00 (533.4)	16	600 (273)	
18.0" (450mm), 300lb	30.12 (762.0)	30.00 (762.0)	30.09 (764.3)	30.12 (765.0)	28.00 (711.2)				24.75 (628.7)	1.38 (35.1)	21.00 (533.4)	24	1010 (450)	
20.0" (500mm), 150lb	30.00 (762.0)	29.80 (756.9)	30.00 (762.0)	30.00 (762.0)	27.50 (698.5)				25.00 (635.0)	1.25 (31.8)	23.00 (584.2)	20	680 (309)	
20.0" (500mm), 300lb	33.25 (844.6)	33.06 (839.7)	33.16 (842.3)	33.25 (844.6)	30.50 (774.7)				27.00 (685.8)	1.38 (35.1)	23.00 (584.2)	24	1180 (537)	
20.0" (500mm), PN 10	30.00 (762.0)	29.80 (756.9)	30.00 (762.0)	30.00 (762.0)	26.38 (670.1)	25.48 (647.2)	15.11 (383.8)	27.84 (707.1)	24.41 (620.0)	1.02 (25.9)	23.03 (585.0)	20	680 (309)	
20.0" (500mm), PN 16	30.00 (762.0)	29.80 (756.9)	30.00 (762.0)	30.00 (762.0)	28.15 (715.0)				25.59 (650.0)	1.30 (33.0)	24.02 (610.1)	20	680 (309)	
20.0" (500mm), PN 25	30.00 (762.0)	29.80 (756.9)	30.00 (762.0)	30.00 (762.0)	28.74 (730.0)				25.98 (659.9)	1.42 (36.1)	24.21 (614.9)	20	680 (309)	
20.0" (500mm), PN 40	33.25 (844.6)	33.06 (839.7)	33.16 (842.3)	33.25 (844.6)	29.72 (754.9)				26.38 (670.1)	1.65 (41.9)	24.21 (614.9)	20	1180 (537)	H1 OPTION IS NOT APPLICABLE FOR LINE SIZES OVER 16"
24.0" (600mm), 150lb	36.00 (914.4)	35.77 (908.6)	36.00 (914.4)	36.00 (914.4)	32.00 (812.8)				29.50 (749.3)	1.38 (35.1)	27.25 (692.2)	20	1000 (455)	
24.0" (600mm), 300lb	39.64 (1006.9)	39.40 (1000.8)	39.63 (1006.6)	39.64 (1006.9)	36.00 (914.4)	30.03 (762.8)	17.39 (441.7)	32.39 (822.7)	32.00 (812.8)	1.62 (41.1)	27.25 (692.2)	24	1865 (848)	
24.0" (600mm), PN 10	36.00 (914.4)	35.77 (908.6)	36.00 (914.4)	36.00 (914.4)	30.71 (780.0)				28.54 (724.9)	1.18 (30.0)	26.97 (685.0)	20	1000 (455)	
24.0" (600mm), PN 16	36.00 (914.4)	35.77 (908.6)	36.00 (914.4)	36.00 (914.4)	33.07 (840.0)				30.31 (769.9)	1.42 (36.1)	28.54 (724.9)	20	1000 (455)	
24.0" (600mm), PN 25	36.00 (914.4)	35.77 (908.6)	36.00 (914.4)	36.00 (914.4)	33.27 (845.1)				30.31 (769.9)	1.54 (39.1)	28.35 (720.1)	20	1000 (455)	
30.0" (750mm), 125 lb	37.25 (946.2)	37.25 (946.2)	37.25 (946.2)	37.25 (946.2)	38.75 (984.3)	35.50 (901.7)	20.56 (522.2)	38.50 (977.9)	36.00 (914.4)	1.38 (35.1)	33.8 (868.5)	28	1400 (637)	
36.0" (900mm), 125 lb	40.75 (1035.1)	40.75 (1035.1)	40.75 (1035.1)	40.75 (1035.1)	46.00 (1168.4)	45.36 (1101.7)	24.50 (622.3)	46.38 (1178.1)	42.75 (1085.9)	1.63 (41.4)	40.27 (1022.9)	32	1975 (898)	

ROSEMOUNT
 MINNEAPOLIS, MINN.

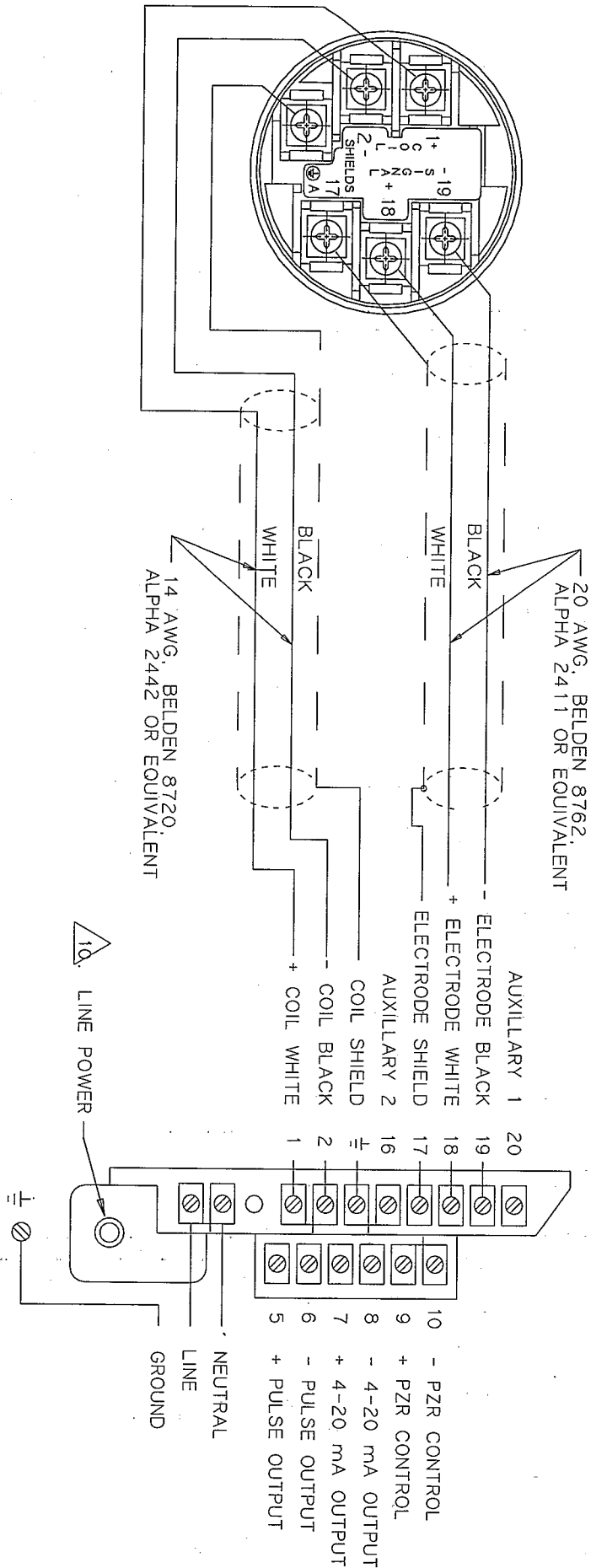
THIS DRAWING WAS CREATED ON CAD.
 VELLUM MASTER IS NOT TO BE CHANGED.
 DRAWING IS ARCHIVED ON MAGNETIC TAPE
 FOR ECO CHANGES.

FILE NAME: _____
 SIZE: A
 FSCM, NO. 04274
 SCALE: _____ WT. _____ SHEET 4 OF 8

DRAWING NO. 08705-0026

MODEL 8705 FLOWTUBE

MODEL 8712C TRANSMITTER



10. 1 AMP FOR 115 VAC SYSTEM, 1/2 AMP FOR 230 AC SYSTEM AND 3 AMP FOR 10-30V dc SYSTEMS. USE QUICK ACTING BUSSMAN AGCI OR EQUIVALENT.
11. CONSULT PRODUCT MANUAL FOR DETAILED INFORMATION ON INSTALLATION, OPERATION, OR MAINTENANCE. FAILURE TO DO SO COULD RESULT IN PERSONAL INJURY OR DAMAGE TO PRODUCT OR PROPERTY.
12. TRANSMITTER TO FLOW TUBE WIRING MAY BE WIRED THRU SINGLE CONDUIT OPENING. BOTH CABLES MUST BE SHIELDED.

ROSEMOUNT INC.
MINNEAPOLIS, MINN.

THIS DRAWING WAS CREATED ON CAD. VELLUM MASTER IS NOT TO BE CHANGED. DRAWING IS ARCHIVED ON MAGNETIC TAPE FOR ECO CHANGES.

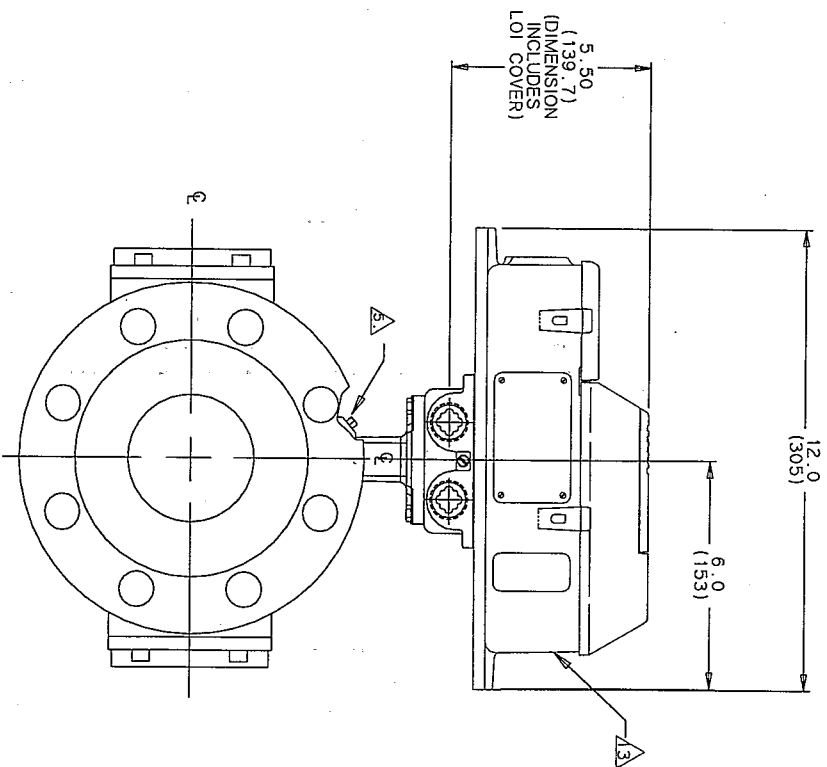
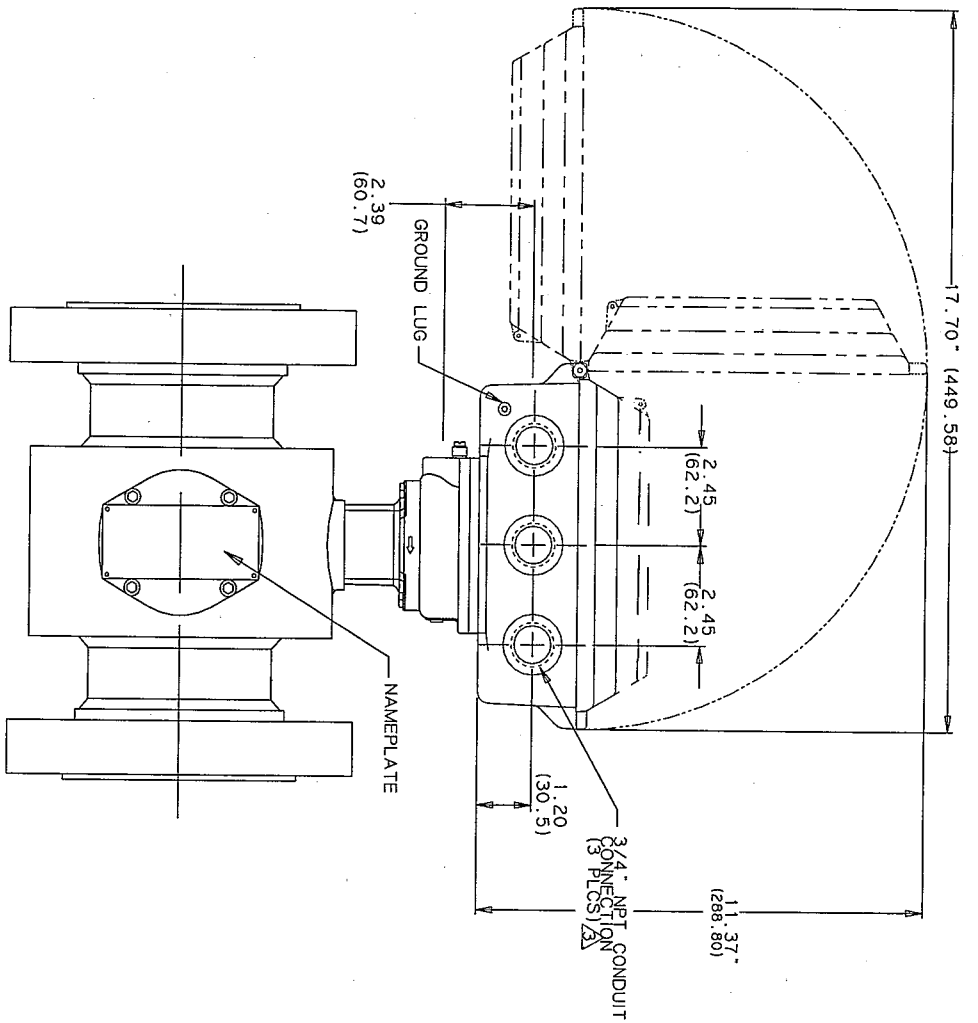
FILE NAME: 04274

SIZE: A

SCALE: WT.

DRAWING NO. 08705-0026

SHEET 5 OF 8

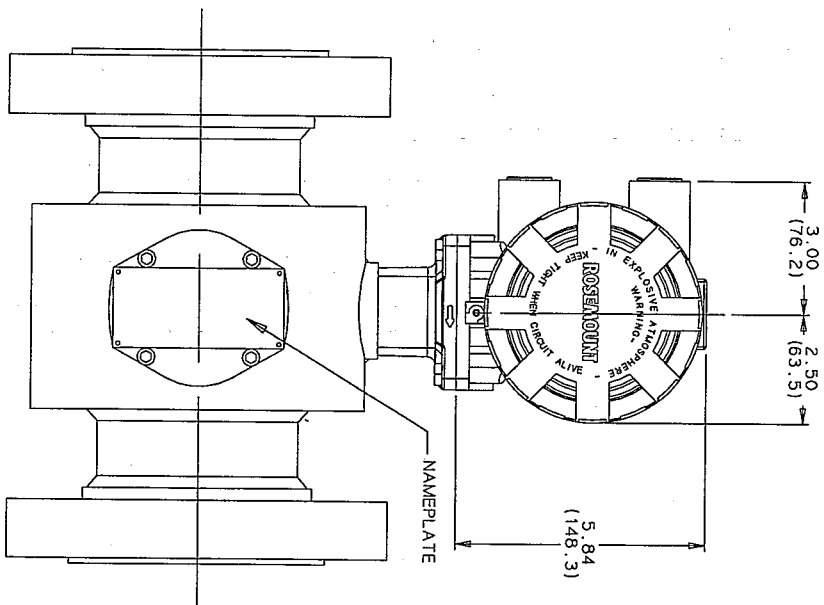
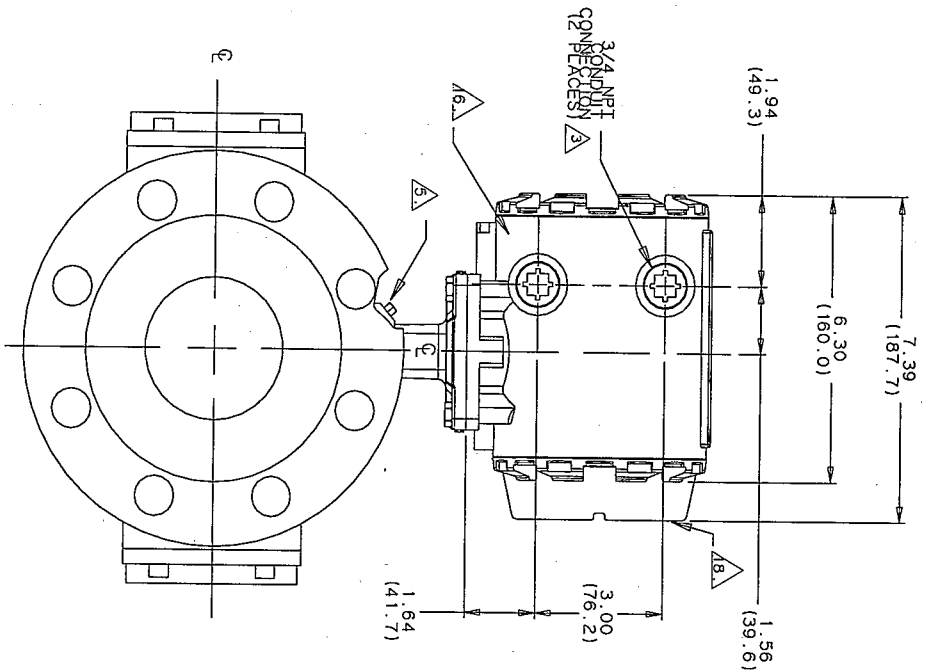


INTEGRAL MOUNT WITH 8712 C/U

- 15. ADD 3lbs. TO TRANSMITTER FOR INTEGRAL MOUNT
- 14. REFERENCE SHEETS 1-4 FOR FLOWTUBE DIMENSIONS.
- 13. TRANSMITTER CAN BE INTEGRALLY MOUNTED IN 90 DEGREE INCREMENTS.

ROSEMOUNT ® INC.	
MINNEAPOLIS, MINN.	
DR	
ISSUE	

THIS DRAWING WAS CREATED ON CAD. VELLUM MASTER IS NOT TO BE CHANGED FOR ECO CHANGES.			
FILE NAME:			
SIZE	FSCM. NO.	DRAWING NO.	
A	04274	08705-0026	
SCALE:	WT.	SHEET 5	OF 8



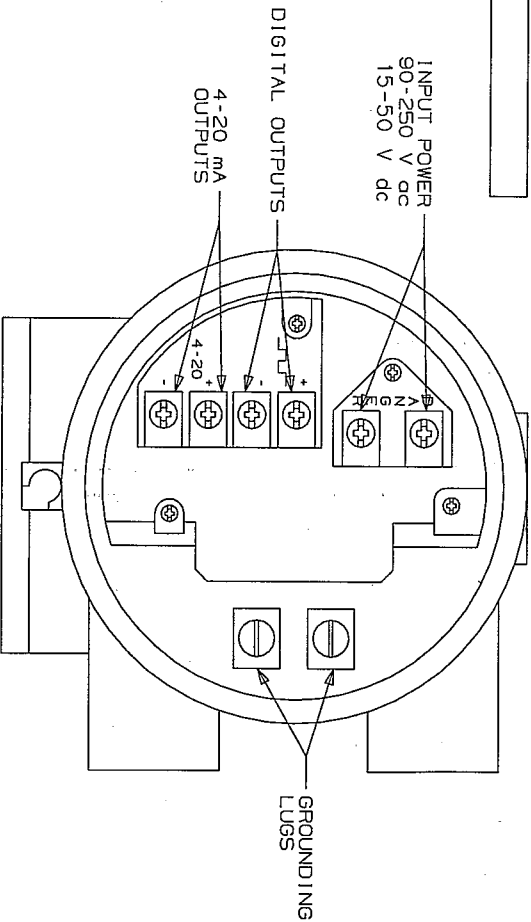
INTEGRAL MOUNT WITH 8732C

- 18. OPTIONAL LOCAL OPERATOR INTERFACE (M4 OPTION).
- 17. REFERENCE SHEETS 1-4 FOR FLOWTUBE DIMENSIONS.
- 16. TRANSMITTER CAN BE INTEGRALLY MOUNTED IN 90 DEGREE INCREMENTS.

ROSEMOUNT [®] INC. MINNEAPOLIS, MINN.			
THIS DRAWING WAS CREATED ON CAD. VELLUM MASTER IS NOT TO BE CHANGED. DRAWING IS ARCHIVED ON MAGNETIC TAPE FOR ECO CHANGES.			
DR	SIZE	FSCM NO.	DRAWING NO.
ISSUE	A	04274	08705-0026
SCALE:		WT.	SHEET 7 OF 8

TABLE 3 - TRANSMITTER MODEL SELECTION

MODEL	8732C	MAGNETIC FLOWMETER TRANSMITTER
CODE	T	TRANSMITTER STYLE
CODE	ED	INTEGRAL (MOUNTED TO MODELS 8705 OR 8711 FLOWTUBES ONLY)
CODE	12	POWER SUPPLY VOLTAGE
CODE	03	90-250 V ac 15-50 V dc
CODE	ED	CODE OPTIONS
ED	E3	KEMA/GENELEC APPROVALS
E6	E6	FACTORY MUTUAL (FM) APPROVALS, CLASSI. DIVISION 1
E6	E6	CSA APPROVALS, CLASSI. DIVISION 1
M4	M4	LOCAL OPERATOR INTERFACE
C1	C1	CUSTOM CONFIGURATION
T1	T1	NON-VOLATILE TOTALIZER
L1	L1	TRANSIENT PROTECTION CIRCUITRY
J1	J1	CM20 CONDUIT ADAPTERS
J2	J2	PG 13.5 CONDUIT ADAPTERS
D1	D1	HIGH-ACCURACY CALIBRATION
8732C	T	ED
← TYPICAL MODEL NUMBER		



ROSEMOUNT[®] INC.
MINNEAPOLIS, MINN.

THIS DRAWING WAS CREATED ON CAD.
YELLOW MASTER IS NOT TO BE CHANGED.
DRAWING IS ARCHIVED ON MAGNETIC TAPE
FOR ECO CHANGES.
FILE NAME:

DR	SIZE	FSM. NO.	DRAWING NO.
ISSUE	A	04274	08705-0026
	SCALE:	WT.	SHEET 8 OF 8