

REVISIONS			
ZONE	REV	DESCRIPTION	CHG. NO.
AA	UPDATE	DRAWING	RTC1000259
			APP. D.
			DATE

7. ROSEMOUNT INC. CERTIFIES THESE DRAWINGS ARE IN ACCORDANCE WITH ROSEMOUNT ENG. SPECIFICATIONS AND ACCURATELY REPRESENTS THE EQUIPMENT FURNISHED.
6. CONSULT PRODUCT MANUAL FOR DETAILED INFORMATION ON INSTALLATION, OPERATION, OR MAINTENANCE. FAILURE TO DO SO COULD RESULT IN PERSONAL INJURY OR DAMAGE TO PRODUCT OR PROPERTY.
3. PRESSURE RELIEF VALVE AVAILABLE WITH SEALED WELDED HOUSING (W1 OPTION) ONLY.

4. ADD .25 (6.4) TO TUBE LENGTH WHEN GROUNDING RINGS OR LINING PROTECTORS ARE ATTACHED.
3. PLUG UNUSED CONDUIT HOLES.

2. SEE TABLE 1 FOR MODEL SELECTION.

1. UPPER DIMENSIONS ARE IN INCHES. LOWER DIMENSIONS SHOWN IN PARENTHESES ARE IN MILLIMETERS.

NOTES:

THIS DRAWING WAS CREATED ON CAD. VELLUM MASTER IS NOT TO BE CHANGED. DRAWING IS ARCHIVED ON MAGNETIC TAPE FOR ECO CHANGES.

UNLESS OTHERWISE SPECIFIED DIMENSIONS IN INCHES

-TOLERANCE-

DECIMALS	FRACTIONS
.X ± .1	± 1/32
.XX ± .02	ANGLES ± 2°
.XXX ± .010	

DO NOT SCALE PRINT

DR. ERIC LOHASEN	02/19/97	TITLE	
APP. D.		ROSEMOUNT [®] INC. CHANHASSEN, MINNESOTA	
DRAWING		MODEL 8705 6 AND 8 INCH	
APP. D.		MAGNETIC FLOWTUBES AND WITH	
TAGGING		INTEGRALLY MOUNTED TRANSMITTERS	
APP. D.		SIZE	FSCM NO.
SPECIALS		A	04274
		SCALE: NONE	WT.
		SHEET	1 OF 7

TABLE 1 - FLOWTUBE MODEL SELECTION

MODEL 8705	MAGNETIC FLOWTUBE
CODE LINING MATERIAL	AVAILABLE IN 1-1/2 THROUGH 36 INCH (40-900 mm) LINE SIZES.
F PTFE (TEFLON)	}
P POLYURETHANE	
N NEOPRENE	
G NATURAL RUBBER	
CODE ELECTRODE MATERIAL	
S 316 STAINLESS STEEL	
T TITANIUM	
F PLATINUM	
H HASTELLOY	
N TITANIUM	
CODE ELECTRODE CONSTRUCTION	
E TWO ELECTRODES	}
R TWO FIELD-REPLACEMENT ELECTRODES (NOT AVAILABLE ON 1/2-1 INCH. 1.5-4 INCH NO SEALED ELECTRODE COMPARTMENT AVAILABLE ACCESS ONLY)	
B TWO BULLET NOSE ELECTRODES	
CODE LINE SIZE	
005	50" (1270)
019	1.90" (48)
015	1.50" (38)
020	2.00" (51)
030	3.00" (76)
040	4.00" (102)
060	6.00" (152)
080	8.00" (203)
100	10.00" (254)
120	12.00" (305)
140	14.00" (356)
160	16.00" (407)
180	18.00" (457)
200	20.00" (508)
240	24.00" (610)
300	30.00" (762)
360	36.00" (914)
CODE FLANGE MATERIAL	
C CARBON STEEL	
S STAINLESS STEEL 304	
CODE FLANGE RATING	
1	ANSI CLASS 150
3	ANSI CLASS 300
6	ANSI CLASS 600
D	DIN PN 10
E	DIN PN 16
F	DIN PN 25
H	DIN PN 40
CODE OPTIONS	
G	GROUNDING RINGS
L	LINING PROTECTOR
CODE OPTIONS	
1	316L SST
2	HASTELLOY C-276
3	TITANIUM
4	TANTALUM
CODE OPTIONS	
W1	STANDARD SEALED WELDED HOUSING WITHOUT SEALED ELECTRODE COMPARTMENTS
H1	FLOWTUBE WITH MODEL 8701 LAY LENGTH
B1	INTEGRAL MOUNT WITH MODEL 8712C TRANSMITTER
B3	INTEGRAL MOUNT WITH MODEL 8732C TRANSMITTER
KD	KEYWAY/CENELEC APPROVAL
04	CALIBRATION DATA SHEET
08	MATERIAL CERTIFICATE OF CONFORMANCE ISO 10474-3 .1B
09	MATERIAL CERTIFICATE OF CONFORMANCE ISO 10474-3 .1B ELECTRODES ONLY
05	HYDROSTATIC TEST CERTIFICATION
A3	3A SANITARY APPROVAL WITH TRI CLAMP ADAPTERS (AVAILABLE FOR .50-3 IN. W1 OPTION ONLY)

TYPICAL MODEL NUMBER

8705 T S A 040 C I G I 04

ROSEMOUNT[®] INC.
MINNEAPOLIS, MINN.

DR
ISSUE

THIS DRAWING WAS CREATED ON CAD
VELLUM MASTER IS NOT TO BE CHANGED.
DRAWING IS ARCHIVED ON MAGNETIC TAPE
FOR ECO CHANGES.

FILE NAME:
SIZE: FSCM NO. 04274
DRAWING NO. 08705-0022
SCALE: WT. SHEET 2 OF 7

TABLE 2

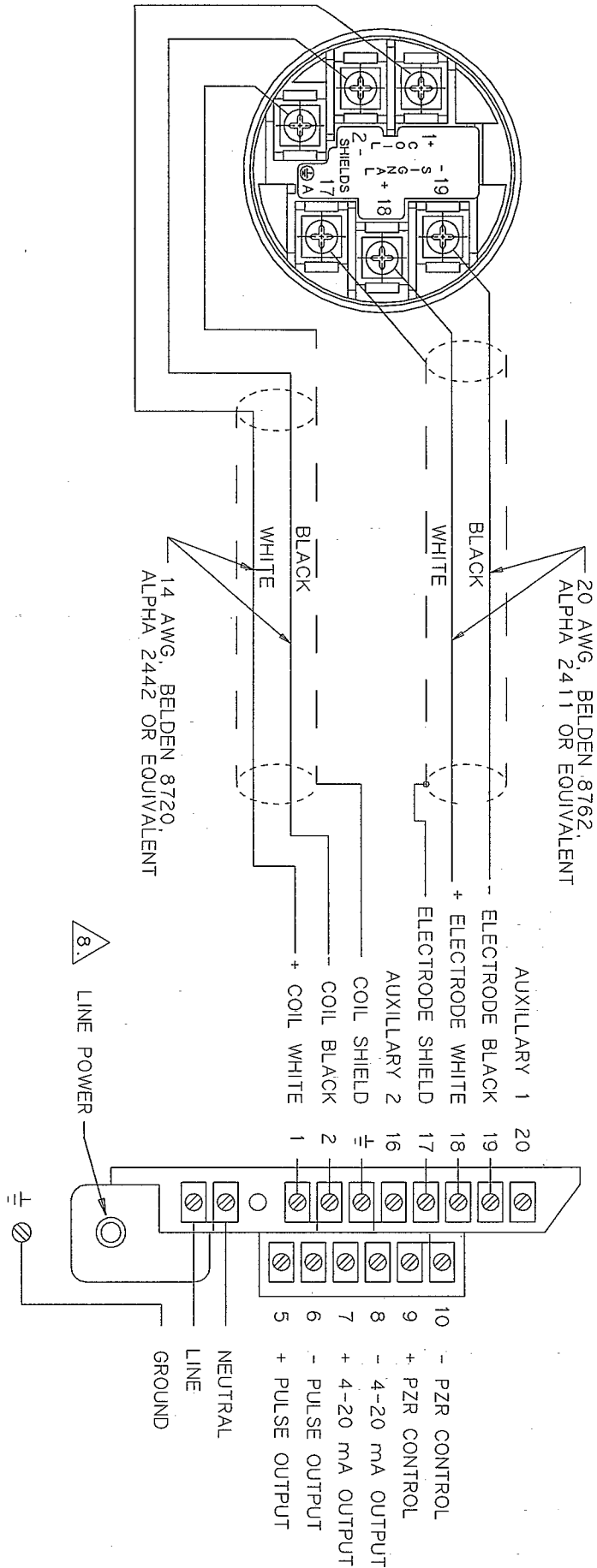
METER SIZE	OVERALL LENGTH			FLANGE DIA.	BODY DIAMETER DIM "C" ±.10 (2.5)	CL. TO UWB MOUNT PAD DIM "D" ±2.0 (5.1)	BODY WIDTH DIM "E" ±.15 (3.8)	OPTIONAL GROUND ELECTRODE COMPARTMENT DIM "F" ±.15 (3.8)	BOLT HOLE CIRCLE DIA. DIM "G" ±.05 (1.5)	BOLT HOLE DIAMETER DIM "H" ±.02 (.5)	RAISED FACE DIAMETER DIM "J" ±.06 (1.5)	NO. OF EQUALLY SPACED BOLT HOLES	FLOW TUBE WEIGHT	H1 OPTION LAY LENGTH
	DIM "A" w/Teflon/Tefzel (300.0)	DIM "A" w/Neoprene/ Gum Rubber (299.5)	DIM "A" w/Polyurethane (300.0)											
6.0" (150mm), 150lb	11.81 (300.0)	11.79 (299.5)	11.81 (300.0)	11.00 (279.4)					9.50 (241.3)	0.88 (22.4)	8.50 (215.9)	8	81 (35)	15.0 (381.0)
6.0" (150mm), 300lb	13.06 (331.7)	13.04 (331.2)	13.06 (332.2)	12.50 (317.5)					10.62 (269.7)	0.88 (22.4)	8.50 (215.9)	12	93 (42)	16.0 (406.4)
6.0" (150mm), 600lb	14.23 (361.4)	14.17 (359.5)	14.19 (360.4)	14.00 (355.6)	9.98 (253.5)	7.30 (185.4)	10.41 (264.4)	0.61 (15.5)	11.50 (292.1)	1.12 (28.4)	8.50 (215.9)	12	105 (48)	16.0 (406.4)
6.0" (150mm), PN 10-16	11.81 (300.0)	11.79 (299.5)	11.81 (300.0)	11.22 (285.0)					9.45 (240.0)	0.87 (22.1)	8.35 (212.0)	8	81 (37)	15.0 (381.0)
6.0" (150mm), PN 25	11.81 (300.0)	11.79 (299.5)	11.81 (300.0)	11.81 (300.0)					9.84 (249.9)	1.02 (25.9)	8.58 (218.0)	8	93 (42)	15.0 (381.0)
6.0" (150mm), PN 40	13.06 (331.7)	13.04 (331.2)	13.06 (332.2)	11.81 (300.0)					9.84 (249.9)	1.02 (25.9)	8.58 (218.0)	8	93 (42)	16.0 (406.4)
8.0" (200mm), 150lb	13.78 (350.0)	13.81 (350.8)	13.78 (350.0)	13.50 (342.9)					11.75 (298.5)	0.88 (22.4)	10.62 (269.7)	8	110 (50)	17.0 (431.8)
8.0" (200mm), 300lb	15.60 (396.2)	15.54 (394.7)	15.60 (396.2)	15.00 (381.0)					13.00 (330.2)	1.00 (25.4)	10.62 (269.7)	12	162 (74)	19.0 (482.6)
8.0" (200mm), 600lb	16.72 (424.7)	16.65 (422.9)	16.71 (424.4)	16.50 (419.1)					13.75 (349.3)	1.25 (31.8)	10.62 (269.7)	12	185 (84)	19.0 (482.6)
8.0" (200mm), PN 10	13.78 (350.0)	13.81 (350.8)	13.78 (350.0)	13.39 (340.1)	11.92 (302.8)	8.27 (210.1)	11.38 (289.1)	0.61 (15.5)	11.61 (294.9)	0.87 (22.1)	10.55 (268.0)	8	110 (50)	17.0 (431.8)
8.0" (200mm), PN 16	13.78 (350.0)	13.81 (350.8)	13.78 (350.0)	13.39 (340.1)					11.61 (294.9)	0.87 (22.1)	10.55 (268.0)	12	110 (50)	17.0 (431.8)
8.0" (200mm), PN 25	13.78 (350.0)	13.81 (350.8)	13.78 (350.0)	14.17 (359.9)					12.20 (309.9)	1.02 (25.9)	10.94 (278.0)	12	162 (74)	17.0 (431.8)
8.0" (200mm), PN 40	15.60 (396.2)	15.54 (394.7)	15.60 (396.2)	14.76 (374.9)					12.60 (320.0)	1.18 (30.0)	11.22 (285.0)	12	162 (74)	19.0 (482.6)

ROSEMOUNT® INC.
MINNEAPOLIS, MINN.
DR
ISSUE

THIS DRAWING WAS CREATED ON CAD.
VELLUM MASTER IS NOT TO BE CHANGED.
DRAWING IS ARCHIVED ON MAGNETIC TAPE
FOR ECO CHANGES.
FILE NAME:
SIZE FSOM NO. DRAWING NO. 08705-0022
A 04274
SCALE: WT. SHEET 3 OF 7

MODEL 8705 FLOWTUBE

MODEL 8712C TRANSMITTER



- 8. 1 AMP FOR 115 VAC SYSTEM, 1/2 AMP FOR 230 AC SYSTEM AND 3 AMP FOR 10-30V dc SYSTEMS. USE QUICK ACTING BUSSMAN AGCI OR EQUIVLANT.
- 9. CONSULT PRODUCT MANUAL FOR DETAILED INFORMATION ON INSTALLATION, OPERATION, OR MAINTENANCE. FAILURE TO DO SO COULD RESULT IN PERSONAL INJURY OR DAMAGE TO PRODUCT OR PROPERTY.
- 10. TRANSMITTER TO FLOW TUBE WIRING MAY BE WIRED THRU SINGLE CONDUIT OPENING. BOTH CABLES MUST BE SHIELDED.

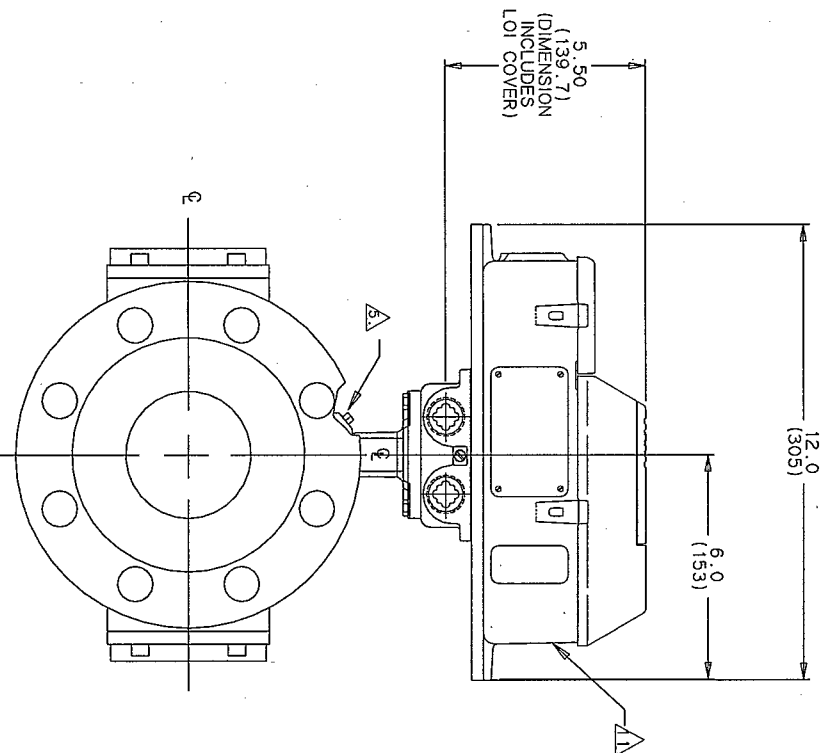
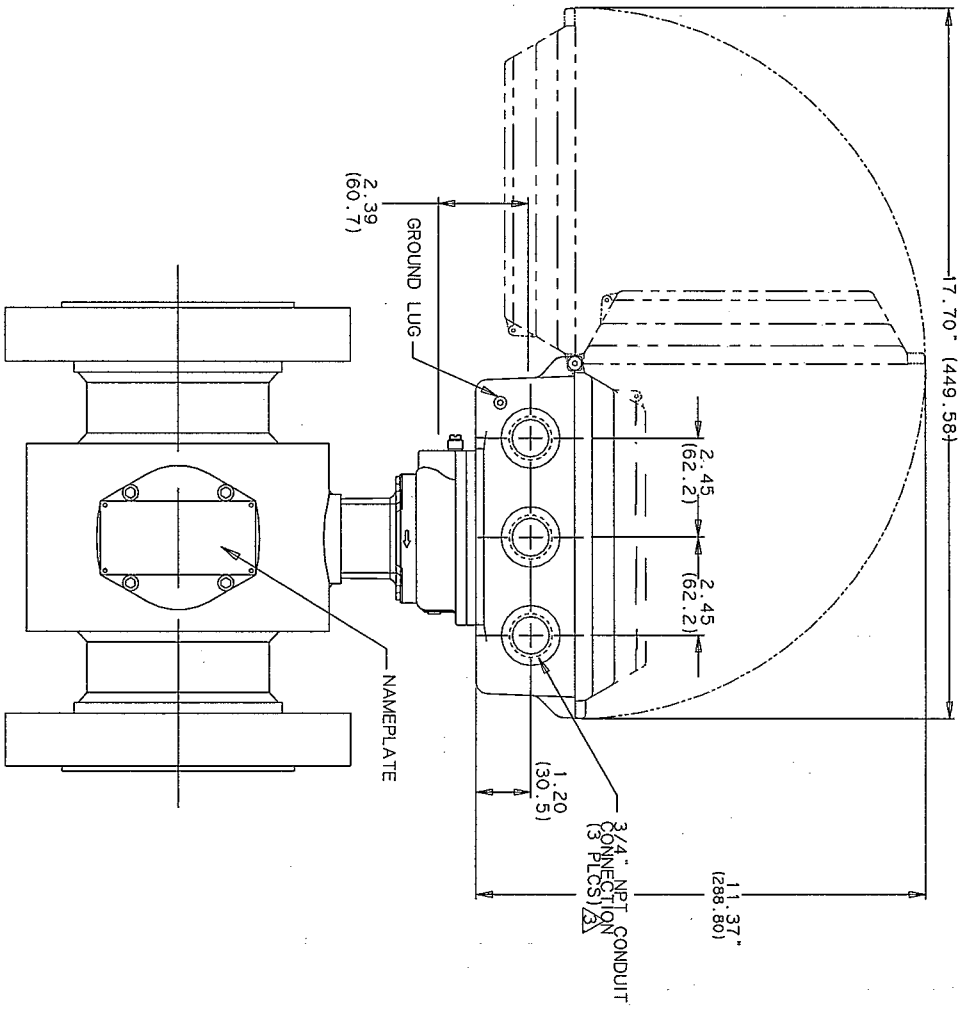
ROSEMOUNT[®] INC.
MINNEAPOLIS, MINN.

DR _____
ISSUE _____

THIS DRAWING WAS CREATED ON CAD VELLUM MASTER IS NOT TO BE CHANGED. DRAWING IS ARCHIVED ON MAGNETIC TAPE FOR ECO CHANGES.

FILE NAME: _____
SIZE FSCM. NO. _____
A 04274 _____
SCALE: _____ WT. _____

DRAWING NO. 08705-0022
SHEET 4 OF 7

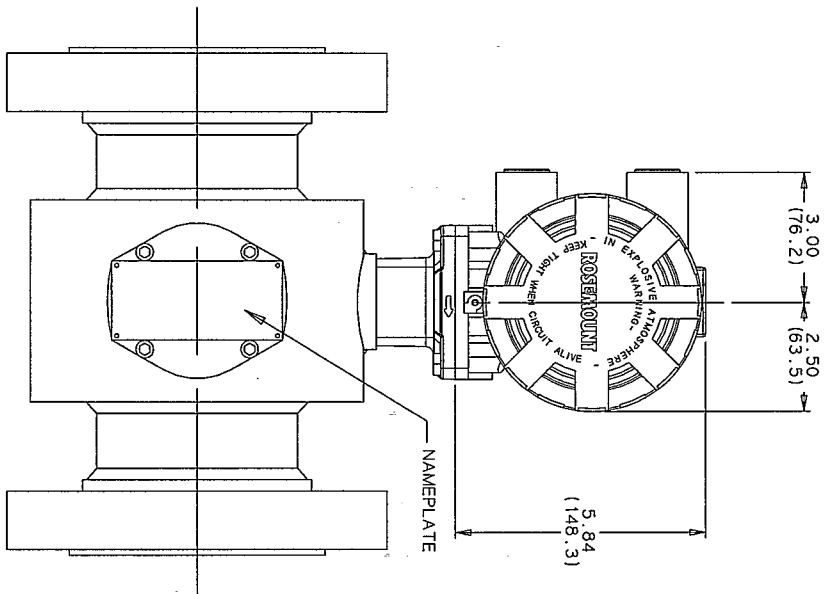
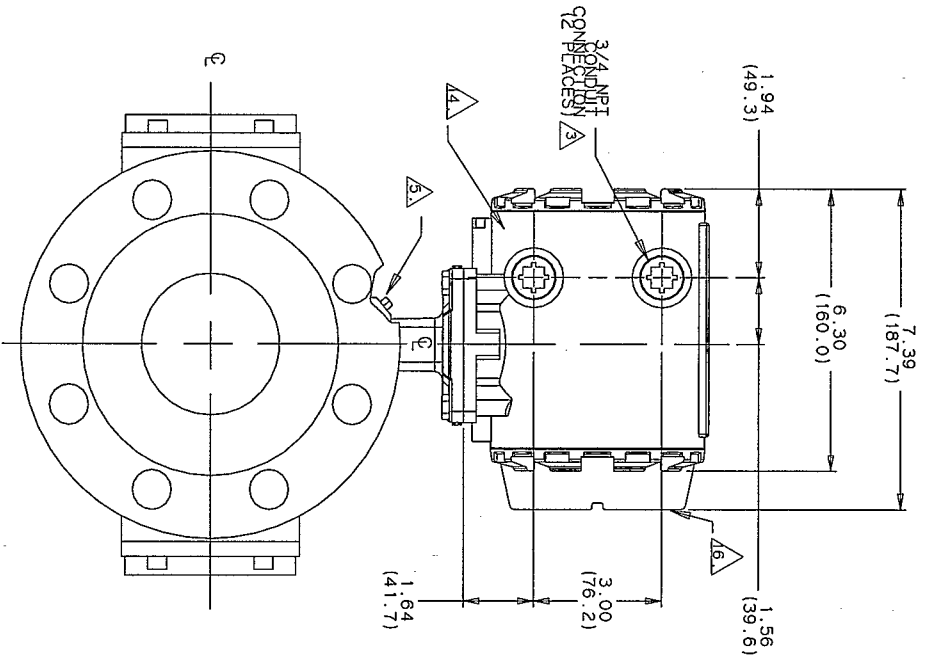


INTEGRAL MOUNT WITH 8712 C/U

13. ADD 3lbs. TO TRANSMITTER FOR INTEGRAL MOUNT
 12. REFERENCE SHEETS 1-4 FOR FLOWTUBE DIMENSIONS.
- ▲ TRANSMITTER CAN BE INTEGRALLY MOUNTED IN 90 DEGREE INCREMENTS.

ROSEMOUNT [®] INC. MINNEAPOLIS, MINN.			
DR	SIZE	FORM NO.	DRAWING NO.
ISSUE	A	04274	08705-0022
	SCALE:	WT.	SHEET 5 OF 7

THIS DRAWING WAS CREATED ON CAD
VELLUM MASTER IS NOT TO BE CHANGED
DRAWING IS ARCHIVED ON MAGNETIC TAPE
FOR ECO CHANGES.



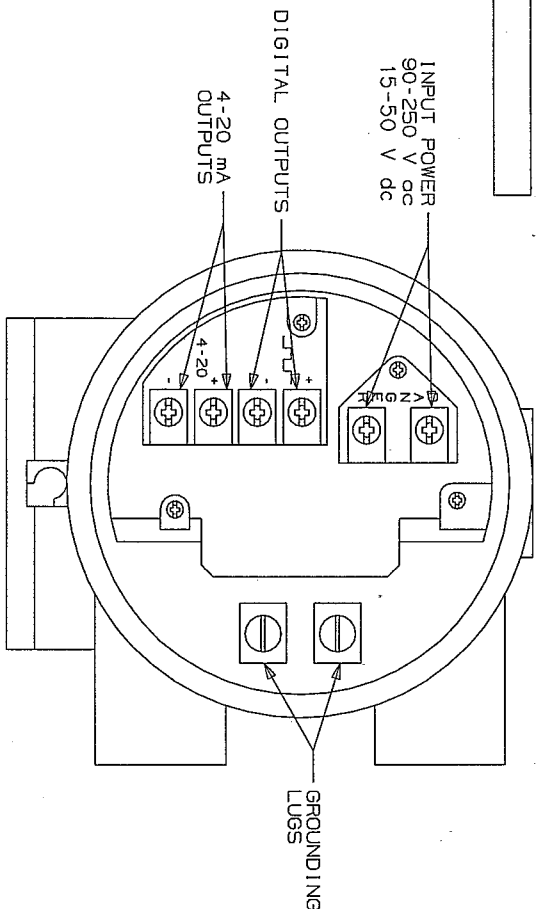
INTEGRAL MOUNT WITH 8732C

- △6 OPTIONAL LOCAL OPERATOR INTERFACE (M4 OPTION).
- 15. REFERENCE SHEETS 1-4 FOR FLOWTUBE DIMENSIONS.
- △4 TRANSMITTER CAN BE INTEGRALLY MOUNTED IN 90 DEGREE INCREMENTS.

ROSEMOUNT INC. MINNEAPOLIS, MINN.		THIS DRAWING WAS CREATED ON CAD VELLUM MASTER IS NOT TO BE CHANGED. DRAWING IS ARCHIVED ON MAGNETIC TAPE FOR ECO CHANGES. FILE NAME:	
DR	SIZE A	FSCM. NO. 04274	DRAWING NO. 08705-0022
ISSUE	SCALE:	WT.	SHEET 6 OF 7

TABLE 3 - TRANSMITTER MODEL SELECTION

MODEL 8732C	MAGNETIC FLOWMETER TRANSMITTER			
CODE TRANSMITTER STYLE	T			
CODE	INTEGRAL (MOUNTED TO MODELS 8705 OR 8711 FLOWTUBES ONLY)			
POWER SUPPLY VOLTAGE	12	90-250 V ac		
	03	15-50 V dc		
CODE OPTIONS	ED KEMA/CENELEC APPROVALS E5 FACTORY MUTUAL (FM) APPROVALS, CLASSI. DIVISION I E6 CSA APPROVALS, CLASSI. DIVISION I M4 LOCAL OPERATOR INTERFACE C1 CUSTOM CONFIGURATION T1 NON-VOLATILE TOTALIZER L1 TRANSIENT PROTECTION CIRCUITRY J1 CM20 CONDUIT ADAPTERS J2 PG 13.5 CONDUIT ADAPTERS D1 HIGH-ACCURACY CALIBRATION			
8732C	T	12	ED	← TYPICAL MODEL NUMBER



ROSEMOUNT[®] INC.
MINNEAPOLIS, MINN.

THIS DRAWING WAS CREATED ON CAD. VELLUM MASTER IS NOT TO BE CHANGED. DRAWING IS ARCHIVED ON MAGNETIC TAPE FOR ECO CHANGES.
FILE NAME:

DR	SIZE	FORM NO.	DRAWING NO.
ISSUE	A	04274	08705-0022
	SCALE:	WT.	SHEET 7 OF 7