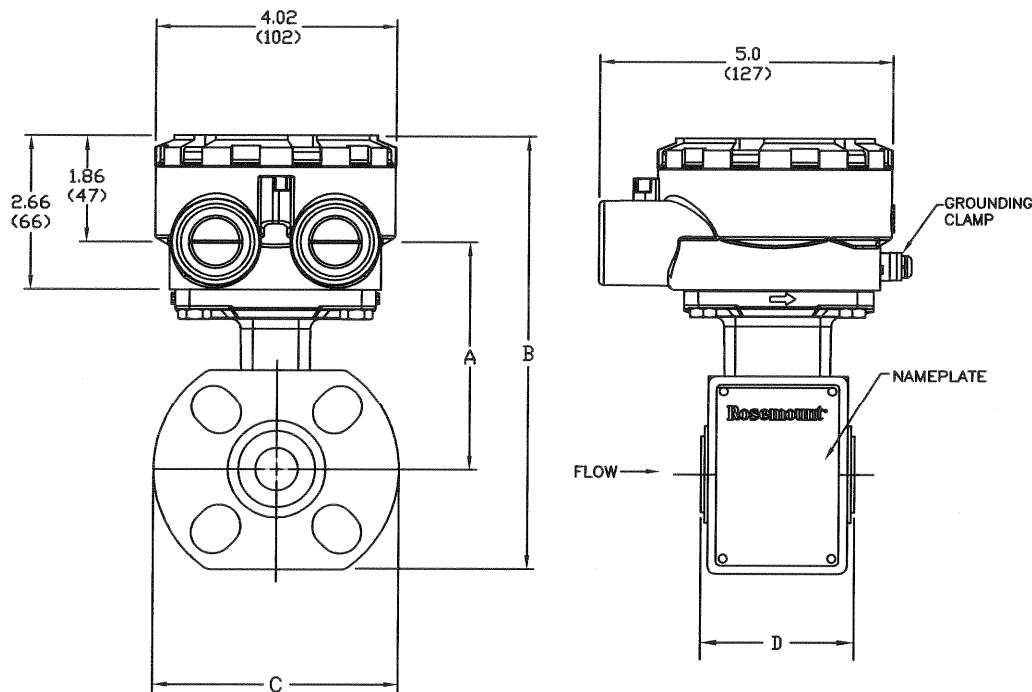
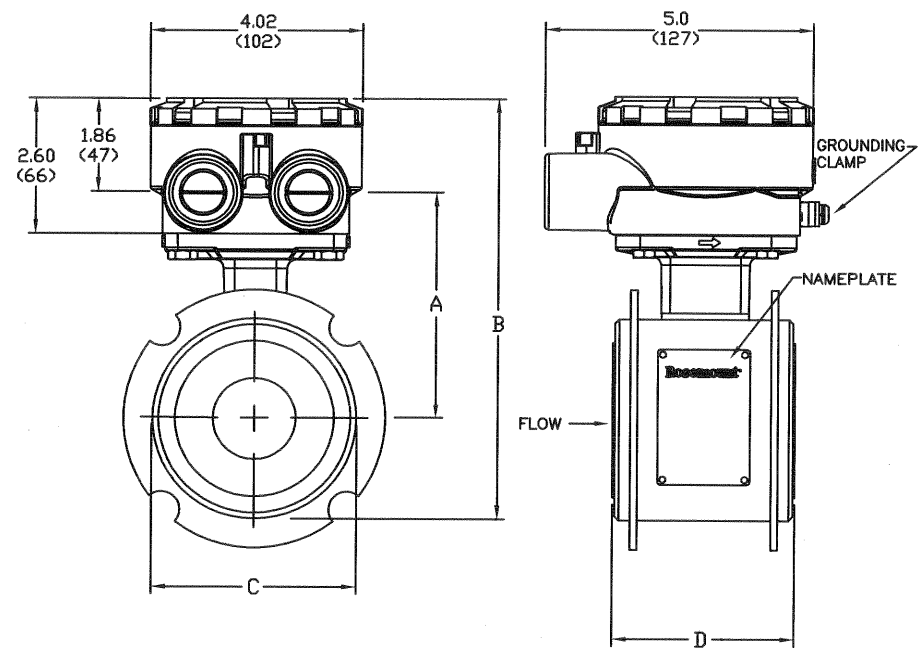


REVISIONS				
REV	DESCRIPTION	CHG.NO.	APP'D	DATE
AA	CREATE NEW TYPE 1 DRAWINGS	RTC1000259	C.D.	4/18/97
AB	UPDATE DRAWING	RTC1011435	C.D.	5/29/02
AC	UPDATE DRAWING	RTC1015784	M.J.M	7/5/03
AD	CORRECT "C" COLUMN	RTC1016300	M.J.M	10/2/03
AE	ADD CERTIFIED NOTE	RTC1022196	M.J.M.	8/19/08

STANDARD WAFER MAGMETER
.15" TO 1.0" PIPE SIZE



STANDARD WAFER MAGMETER
1.5" TO 8.0" PIPE SIZE



- ROSEMOUNT INC. CERTIFIES THESE DRAWINGS ARE IN ACCORDANCE WITH ROSEMOUNT ENG. SPECIFICATIONS AND ACCURATELY REPRESENTS THE EQUIPMENT FURNISHED.
- ADD .25 (6.4) TO TUBE LENGTH WHEN GROUNDING RINGS OR LINING PROTECTORS ARE ATTACHED

*UNLESS OTHERWISE SPECIFIED DIMENSIONS IN INCHES (MM)		TYPE 1		ROSEMOUNT® CHANHASSEN, MINNESOTA	
*ALL DIMENSIONS ARE NOMINAL AND ARE FOR REFERENCE ONLY		DR. JOHN ARMSTRONG	12/18/02	TITLE OUTLINE INSTALLATION DRAWING FOR MODEL 8711 0.5 AND 8 INCH WAFER FLOWTUBES	
EMERSON Process Management		APP'D. DRAWING C. DIEDERICH	12/18/02	SIZE A	DRAWING NO. 08711-3001
		APP'D. DRAWING		SCALE: NONE	SHEET 1 OF 2
		APP'D. TAGGING			
		APP'D. SPECIALS			

TABLE 2 – DIMENSIONS FOR OPTIONAL FLOWTUBE SIZES 8711

NOMINAL LINE SIZE INCHES (MM)	FLOWTUBE HOUSING DIMENSIONS			FLOWTUBE LENGTH	INSIDE DIAMETER	WEIGHT lb(kg)
	"A" MAX	"B"	"C"	"D"		
.15 (4)	4.05 (102)	7.41 (188)	3.56 (90)	2.17 (55)	.165 (4)	4 (2)
.30 (8)	4.05 (102)	7.41 (188)	3.56 (90)	2.17 (55)	.287 (7)	4 (2)
.50 (15)	4.05 (102)	7.41 (188)	3.56 (90)	2.15 (55)	.595 (15)	4 (2)
1.00 (25)	4.36 (111)	7.98 (203)	4.50 (114)	2.13 (54)	.959 (24)	5 (2)
1.50 (40)	4.47 (114)	7.98 (203)	3.28 (83)	2.73 (69)	1.50 (38)	5 (2)
2.00 (50)	4.69 (119)	8.51 (216)	3.91 (99)	3.26 (83)	1.95 (50)	7 (3)
3.00 (80)	5.31 (135)	9.76 (248)	5.16 (131)	4.62 (117)	2.98 (76)	13 (6)
4.00 (100)	5.92 (150)	10.98 (279)	6.38 (162)	5.83 (148)	3.90 (99)	22 (10)
6.00 (150)	7.02 (178)	13.17 (335)	8.56 (217)	6.87 (174)	5.825 (148)	35 (16)
8.00 (200)	8.05 (204)	15.22 (387)	10.63 (270)	8.86 (225)	7.87 (200)	60 (27)

ROSEMOUNT INC.
CHANHASSEN, MINN.

SIZE A	FSCM.NO.	DRAWING NO. 08711-3001
SCALE:	SHEET 2 OF 2	