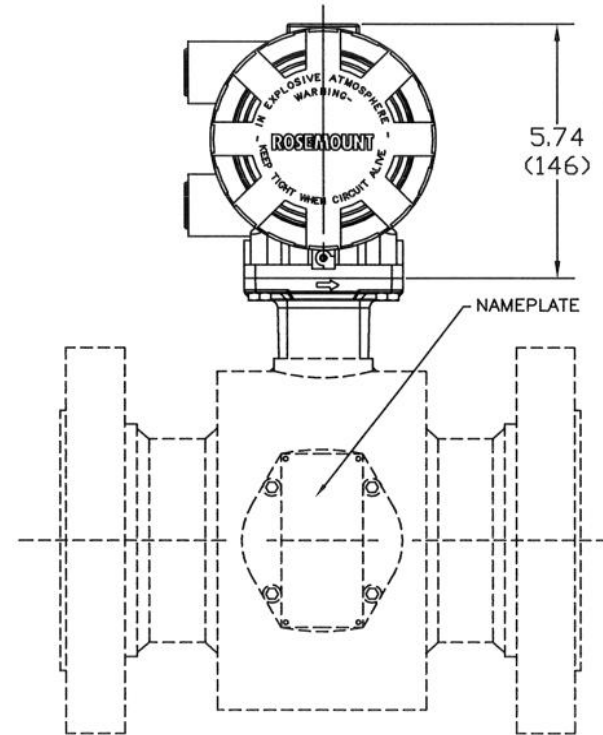
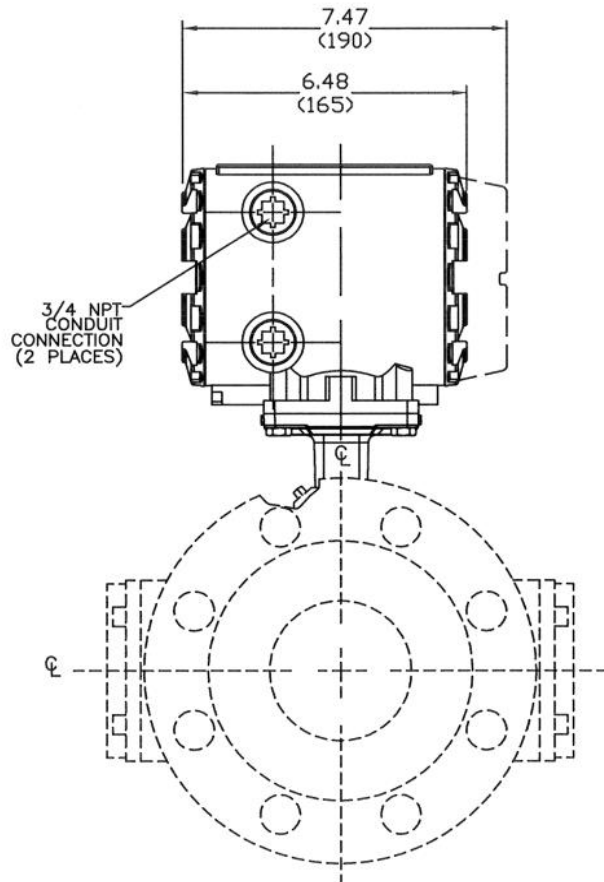


# INTEGRALLY MOUNTED 8732C TRANSMITTER

REVISIONS				
REV	DESCRIPTION	CHG.NO.	APP'D	DATE
AA	NEW RELEASE	RTC1007594	JRC	8/30/00
AB	UPDATE	RTC1015784	MM	7/5/03
AC	ADD REMOTE MOUNTING BRACKET	RTC1016298	MM	10/2/03
AD	ADD CERTIFIED NOTE	RTC1022196	M.J.M.	6/19/06

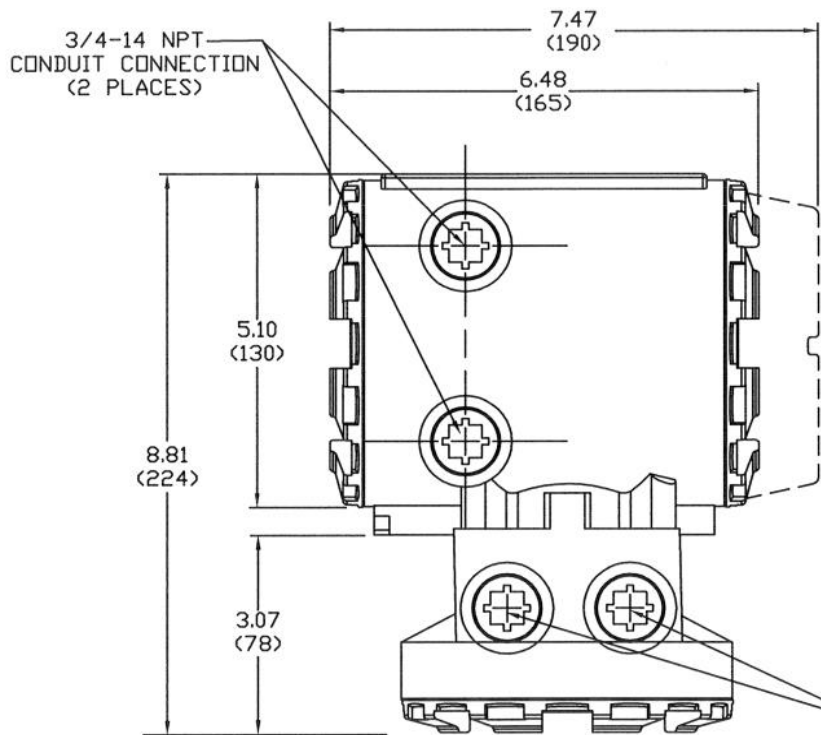


OPTION 1

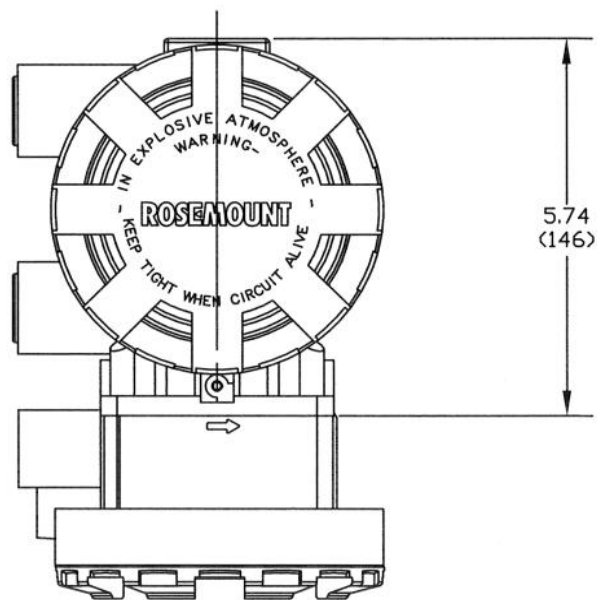
1. ROSEMOUNT INC. CERTIFIES THESE DRAWINGS ARE IN ACCORDANCE WITH ROSEMOUNT ENG. SPECIFICATIONS AND ACCURATELY REPRESENTS THE EQUIPMENT FURNISHED.

<p>*UNLESS OTHERWISE SPECIFIED DIMENSIONS IN INCHES (MM)</p>	<p><b>TYPE 1</b></p>	<p><b>ROSEMOUNT</b><sup>®</sup> INC. CHANHASSEN, MINNESOTA</p>
<p>DR. JOHN ARMSTRONG 04/15/04</p> <p>APP'D. DRAWING -</p> <p>APP'D. DRAWING</p> <p>APP'D. TAGGING</p> <p>APP'D. SPECIALS</p>	<p>TITLE</p> <p>OUTLINE INSTALLATION DRAWING FOR MODEL 8732C MAGNETIC FLOWMETER TRANSMITTER</p>	<p>SIZE FSCM.NO. DRAWING NO. 08732-1500</p> <p>A 04274</p> <p>SCALE:NONE WT. SHEET 1 OF 3</p>

# REMOTE 8732C TRANSMITTER

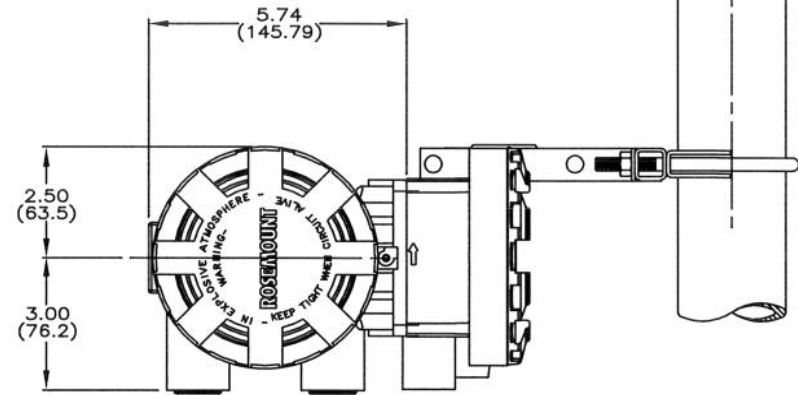
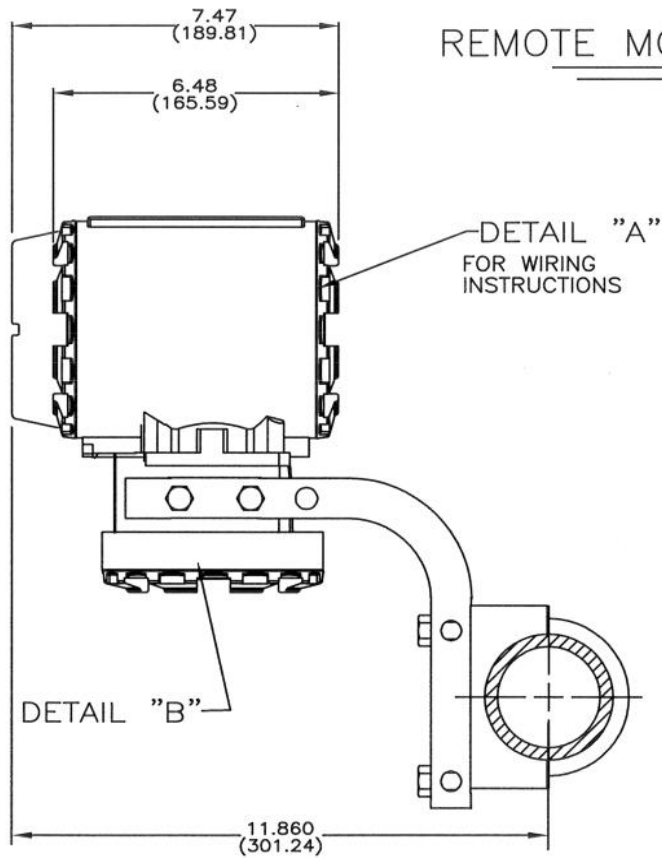


1/2-14 NPT  
FLOWTUBE CONDUIT  
CONNECTIONS  
(2 PLACES)



<b>ROSEMOUNT</b> INC. CHANHASSEN, MINN.			
SIZE	FSCM.NO.	DRAWING NO.	08732-1500
A			
SCALE:		SHEET	2 OF 3

# REMOTE MOUNTED 8732C TRANSMITTER



OPTION 2

**ROSEMOUNT**<sup>®</sup> INC.  
MINNEAPOLIS, MINN.

DR  
ISSUE

THIS DRAWING WAS CREATED ON CAD.  
VELLUM MASTER IS NOT TO BE CHANGED.  
DRAWING IS ARCHIVED ON MAGNETIC TAPE  
FOR ECO CHANGES.  
FILE NAME:

SIZE	FSCM.NO.	DRAWING NO.
A	04274	08732-1500
SCALE:	WT.	SHEET 3 OF 3