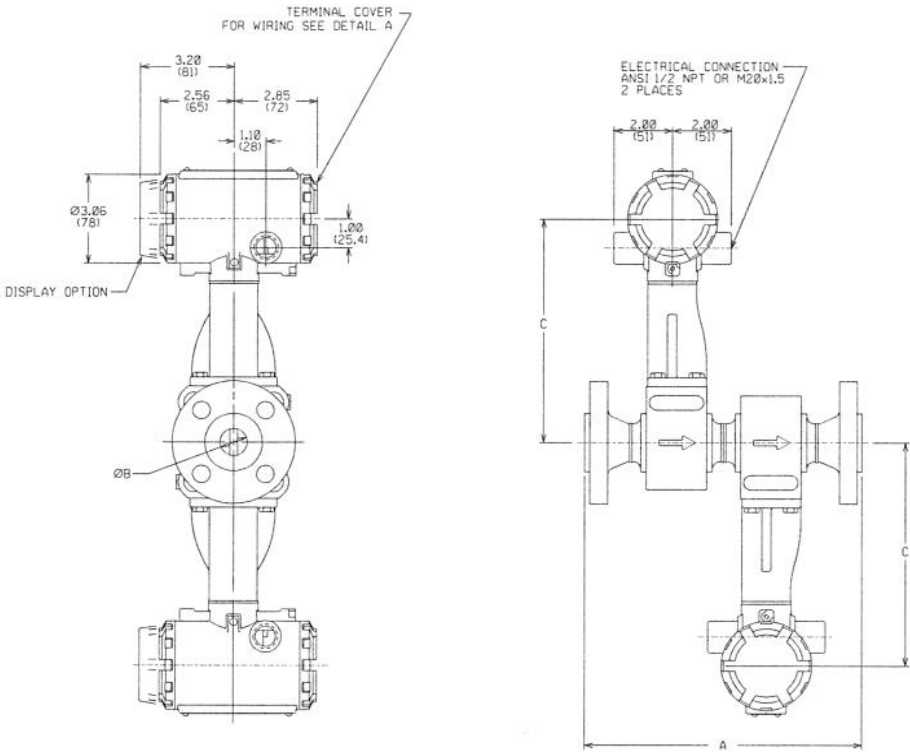


TABULATION	
DASH NO.	

REVISIONS					
ZONE	REV	DESCRIPTION	CHG. NO.	APPD	DATE
	AL	CORRECT DIN WTS; ADD 10" 1/2" DUALS	RTC1016668	M.S.	10/11/00
	AM	ADD 0.5" 900* AND 1'-4" 1500*	RTC1018958	D.O.B.	1/10/00
	AN	ADD 6", 8" 900* AND 1500*	RTC1019438	D.O.B.	3/22/00
	AP	CHG 4 INCH 1500LB LENGTH	RTC1019751	D.O.B.	6/10/00
	AR	ADD M20 CONNECTION; CHG "B" ON 6"-8" 900/1500*	RTC1021272	D.O.B.	2/10/00
	AT	ADD NOTE 3	RTC1022097	J.F.	7/10/00



NOMINAL SIZE		A±.17 (4.3)	A±.17 (4.3)	ØB±.03 (0.8)	C±.20 (5.1)	WEIGHT LB (kg)
		INCH (mm)	INCH (mm)	INCH (mm)	INCH (mm)	
.5 IN METER DN15	150 LB	12.0 (305)	--	.54 (13.7)	7.6 (193)	16.2 (7.4)
	300 LB	12.3 (312)	12.8 (325)	.54 (13.7)	7.6 (193)	17.4 (7.9)
	600 LB	12.8 (325)	--	.54 (13.7)	7.6 (193)	17.9 (8.1)
	900 LB	13.5 (343)	13.5 (343)	.54 (13.7)	7.6 (193)	22.4 (10.2)
	PN16/40	11.2 (284)	--	.54 (13.7)	7.6 (193)	17.4 (7.9)
	PN100	11.8 (300)	--	.54 (13.7)	7.6 (193)	19.4 (8.8)
	JIS 10K/20K	11.4 (290)	--	.54 (13.7)	7.6 (193)	17.1 (7.8)
JIS 40K	12.4 (315)	--	.54 (13.7)	7.6 (193)	20.6 (9.3)	
1 IN METER DN25	150 LB	15.1 (384)	15.6 (396)	.95 (24.1)	7.7 (196)	19.8 (9.0)
	300 LB	15.6 (396)	16.1 (409)	.95 (24.1)	7.7 (196)	22.5 (10.2)
	600 LB	16.1 (409)	16.1 (409)	.95 (24.1)	7.7 (196)	23.3 (10.6)
	900 LB	17.0 (432)	17.0 (432)	.95 (24.1)	7.7 (196)	31.8 (14.4)
	1500 LB	17.0 (432)	17.0 (432)	.95 (24.1)	7.7 (196)	31.8 (14.4)
	PN16/40	13.9 (353)	--	.95 (24.1)	7.7 (196)	21.8 (9.9)
	PN100	15.3 (389)	--	.95 (24.1)	7.7 (196)	27.9 (12.6)
JIS 10K/20K	14.1 (358)	--	.95 (24.1)	7.7 (196)	22.1 (10.0)	
JIS 40K	15.5 (394)	--	.95 (24.1)	7.7 (196)	25.8 (11.7)	
1.5 IN METER DN40	150 LB	11.3 (287)	11.8 (300)	1.49 (37.8)	8.1 (206)	27.0 (12.3)
	300 LB	11.8 (300)	12.3 (312)	1.49 (37.8)	8.1 (206)	32.4 (14.7)
	600 LB	12.5 (318)	12.5 (318)	1.49 (37.8)	8.1 (206)	34.8 (15.8)
	900 LB	13.5 (343)	13.5 (343)	1.49 (37.8)	8.1 (206)	45.7 (20.7)
	1500 LB	13.5 (343)	13.5 (343)	1.49 (37.8)	8.1 (206)	45.7 (20.7)
	PN16/40	10.0 (254)	--	1.49 (37.8)	8.1 (206)	28.6 (13.0)
	PN100	11.3 (287)	--	1.49 (37.8)	8.1 (206)	37.3 (16.9)
PN160	11.5 (292)	--	1.49 (37.8)	8.1 (206)	38.7 (17.6)	
JIS 10K/20K	10.4 (264)	--	1.49 (37.8)	8.1 (206)	27.9 (12.6)	
JIS 40K	11.5 (292)	--	1.49 (37.8)	8.1 (206)	34.9 (15.8)	

FOR DISPLAY OPTION, ADD 0.4 LB (0.2 kg)

1/2- 1 1/2 INCH FLANGED STYLE

3. ROSEMOUNT CERTIFIES THESE DRAWINGS ARE IN ACCORDANCE WITH ROSEMOUNT ENGINEERING SPECIFICATIONS AND ACCURATELY REPRESENT THE EQUIPMENT FURNISHED.

REFERENCE INSTRUCTION MANUAL FOR DETAIL INSTALLATION INFORMATION AND WIRING CONNECTIONS.

1. DIMENSIONS ARE IN INCHES. DIMENSIONS SHOWN IN PARENTHESES ARE IN MILLIMETERS.

NOTES:

CONFIDENTIAL AND PROPRIETARY INFORMATION IS CONTAINED HEREIN AND IS NOT TO BE RELEASED WITHOUT THE WRITTEN PERMISSION OF ROSEMOUNT.	UNLESS OTHERWISE SPECIFIED DIMENSIONS IN INCHES (MM). REMOVE ALL BURRS AND SHARP EDGES. MACHINE SURFACE FINISH IS		CONTRACT NO.	
	-TOLERANCE- .X ± .J (2.5) .XX ± .02 (0.5) .XXX ± .010 (0.25)		DR. D. McCANN REV. 01 CHG'D APP'D B. SCHENK 2/17/00 APP'D	
	FRACTIONS ± 1/32 ANGLES ± 2° DO NOT SCALE PRINT		TITLE INSTALLATION DRAWING FOR: 8800 VORTEX DUAL FLOWMETER	
			SIZE D FCIM NO. DRAWING NO. 08800-0006	
			SCALE N/A SHEET 1 OF 4	

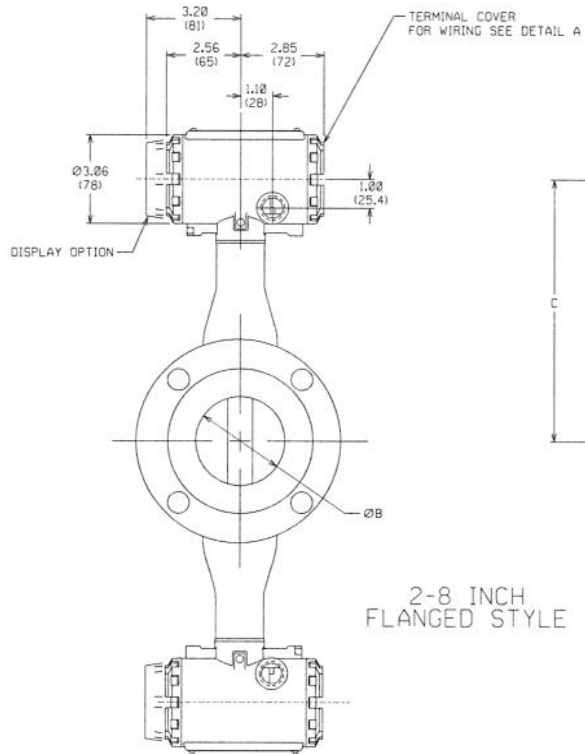


EMERSON
ROSEMOUNT
800 West Park Drive • Stoughton, MA 01570 USA

DRAWING NO. **08800-0006**

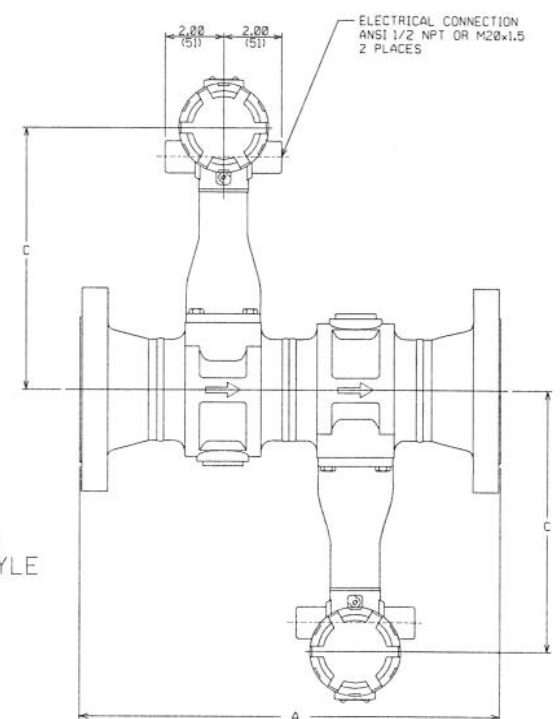
NOMINAL SIZE	A±.17 (4.3) INCH (mm)	A±.17 (4.3) ANSI RTJ INCH (mm)	ØB±.03 (0.8) INCH (mm)	C±.20 (5.1) INCH (mm)	WEIGHT LB (kg)	
2 IN METER DN50	150 LB	13.0 (330)	13.6 (345)	1.92 (48.8)	8.5 (216)	31.9 (14.5)
	300 LB	13.6 (345)	14.1 (358)	1.92 (48.8)	8.5 (216)	35.9 (16.3)
	600 LB	14.3 (363)	14.3 (363)	1.92 (48.8)	8.5 (216)	39.5 (17.9)
	900 LB	16.6 (422)	16.7 (424)	1.92 (48.8)	8.5 (216)	69.2 (31.4)
	1500 LB	15.6 (396)	15.7 (399)	1.67 (42.4)	8.5 (216)	72.0 (32.6)
	PN16/40	11.8 (300)	--	1.92 (48.8)	8.5 (216)	32.7 (14.8)
	PN64	12.9 (328)	--	1.92 (48.8)	8.5 (216)	40.2 (18.2)
	PN100	13.4 (340)	--	1.92 (48.8)	8.5 (216)	46.0 (20.9)
	PN160	14.0 (356)	--	1.92 (48.8)	8.5 (216)	48.3 (21.9)
	J1S 10K	11.5 (292)	--	1.92 (48.8)	8.5 (216)	29.1 (13.2)
	J1S 20K	12.1 (307)	--	1.92 (48.8)	8.5 (216)	29.7 (13.5)
	J1S 40K	13.6 (345)	--	1.92 (48.8)	8.5 (216)	37.9 (17.2)
3 IN METER DN80	150 LB	14.3 (363)	14.8 (376)	2.87 (72.9)	9.1 (231)	50.3 (22.8)
	300 LB	15.0 (381)	15.7 (399)	2.87 (72.9)	9.1 (231)	59.5 (27.0)
	600 LB	15.8 (401)	15.8 (401)	2.87 (72.9)	9.1 (231)	65.5 (29.7)
	900 LB	17.3 (439)	17.4 (442)	2.87 (72.9)	9.1 (231)	88.9 (40.3)
	1500 LB	18.5 (470)	18.6 (472)	2.60 (66.0)	9.1 (231)	123 (55.8)
	PN16/40	13.4 (340)	--	2.87 (72.9)	9.1 (231)	49.7 (22.5)
	PN64	14.5 (368)	--	2.87 (72.9)	9.1 (231)	58.5 (26.5)
	PN100	14.9 (378)	--	2.87 (72.9)	9.1 (231)	67.8 (30.8)
	PN160	15.6 (396)	--	2.87 (72.9)	9.1 (231)	73.0 (33.1)
	J1S 10K	12.3 (312)	--	2.87 (72.9)	9.1 (231)	41.0 (18.6)
	J1S 20K	13.7 (348)	--	2.87 (72.9)	9.1 (231)	48.4 (22.0)
	J1S 40K	15.5 (394)	--	2.87 (72.9)	9.1 (231)	63.4 (28.8)
4 IN METER DN100	150 LB	15.2 (386)	15.7 (399)	3.79 (96.3)	9.6 (244)	68.1 (30.9)
	300 LB	16.0 (406)	16.6 (422)	3.79 (96.3)	9.6 (244)	88.2 (40.0)
	600 LB	17.7 (450)	17.7 (450)	3.79 (96.3)	9.6 (244)	114 (51.7)
	900 LB	18.7 (475)	18.9 (480)	3.79 (96.3)	9.6 (244)	137 (62.2)
	1500 LB	20.0 (509)	20.2 (512)	3.40 (86.4)	9.6 (244)	182 (82.6)
	PN16	13.3 (338)	--	3.79 (96.3)	9.6 (244)	58.5 (26.5)
	PN40	14.4 (366)	--	3.79 (96.3)	9.6 (244)	67.6 (30.7)
	PN64	15.4 (391)	--	3.79 (96.3)	9.6 (244)	80.5 (36.5)
	PN100	16.3 (414)	--	3.79 (96.3)	9.6 (244)	96.8 (43.9)
	PN160	17.1 (434)	--	3.79 (96.3)	9.6 (244)	104 (47.2)
	J1S 10K	13.6 (345)	--	3.79 (96.3)	9.6 (244)	55.4 (25.1)
	J1S 20K	13.6 (345)	--	3.79 (96.3)	9.6 (244)	63.2 (28.7)
J1S 40K	16.8 (427)	--	3.79 (96.3)	9.6 (244)	93.7 (42.5)	
6 IN METER DN150	150 LB	19.4 (493)	19.9 (505)	5.70 (144.8)	10.8 (274)	126 (57.2)
	300 LB	20.2 (513)	20.8 (528)	5.70 (144.8)	10.8 (274)	166 (75.3)
	600 LB	22.2 (564)	22.3 (566)	5.70 (144.8)	10.8 (274)	232 (105.2)
	900 LB	16.1 (409)	16.2 (411)	5.14 (130.6)	10.8 (274)	266 (120.6)
	1500 LB	18.6 (472)	18.8 (478)	5.14 (130.6)	10.8 (274)	378 (171.4)
	PN16	16.8 (427)	--	5.70 (144.8)	10.8 (274)	120 (54.4)
	PN40	18.3 (465)	--	5.70 (144.8)	10.8 (274)	140 (63.5)
	PN64	19.9 (505)	--	5.70 (144.8)	10.8 (274)	183 (83.0)
	PN100	21.5 (546)	--	5.70 (144.8)	10.8 (274)	213 (96.6)
	J1S 10K	18.5 (470)	--	5.70 (144.8)	10.8 (274)	124 (56.2)
	J1S 20K	18.5 (470)	--	5.70 (144.8)	10.8 (274)	142 (64.4)
	J1S 40K	22.0 (559)	--	5.70 (144.8)	10.8 (274)	220 (99.8)

FOR DISPLAY OPTION, ADD 0.4 LB (0.2 kg)



2-8 INCH
FLANGED STYLE

REVISIONS				
ZONE	REV	DESCRIPTION	CHK. NO.	APPD. DATE



8 IN METER DN200	150 LB	24.0 (610)	24.5 (622)	7.55 (191.8)	11.7 (297)	190 (86.2)
	300 LB	24.8 (630)	25.4 (645)	7.55 (191.8)	11.7 (297)	247 (112.0)
	600 LB	27.0 (686)	27.1 (688)	7.55 (191.8)	11.7 (297)	345 (156.5)
	900 LB	18.4 (467)	19.0 (483)	6.62 (168.1)	11.7 (297)	479 (217.3)
	1500 LB	22.8 (580)	23.2 (589)	6.62 (168.1)	11.7 (297)	637 (288.9)
	PN10	20.9 (531)	--	7.55 (191.8)	11.7 (297)	178 (80.7)
	PN16	20.9 (531)	--	7.55 (191.8)	11.7 (297)	177 (80.3)
	PN25	22.3 (566)	--	7.55 (191.8)	11.7 (297)	205 (93.0)
	PN40	22.9 (582)	--	7.55 (191.8)	11.7 (297)	223 (101.2)
	PN64	24.7 (627)	--	7.55 (191.8)	11.7 (297)	283 (128.4)
	PN100	26.3 (668)	--	7.55 (191.8)	11.7 (297)	348 (157.9)
	J1S 10K	22.6 (574)	--	7.55 (191.8)	11.7 (297)	178 (80.7)
	J1S 20K	22.6 (574)	--	7.55 (191.8)	11.7 (297)	203 (92.1)
	J1S 40K	27.0 (686)	--	7.55 (191.8)	11.7 (297)	324 (147.0)

FOR DISPLAY OPTION, ADD 0.4 LB (0.2 kg)

Rosemount Inc.
8700 Market Boulevard
Channahon, MN 55517 USA

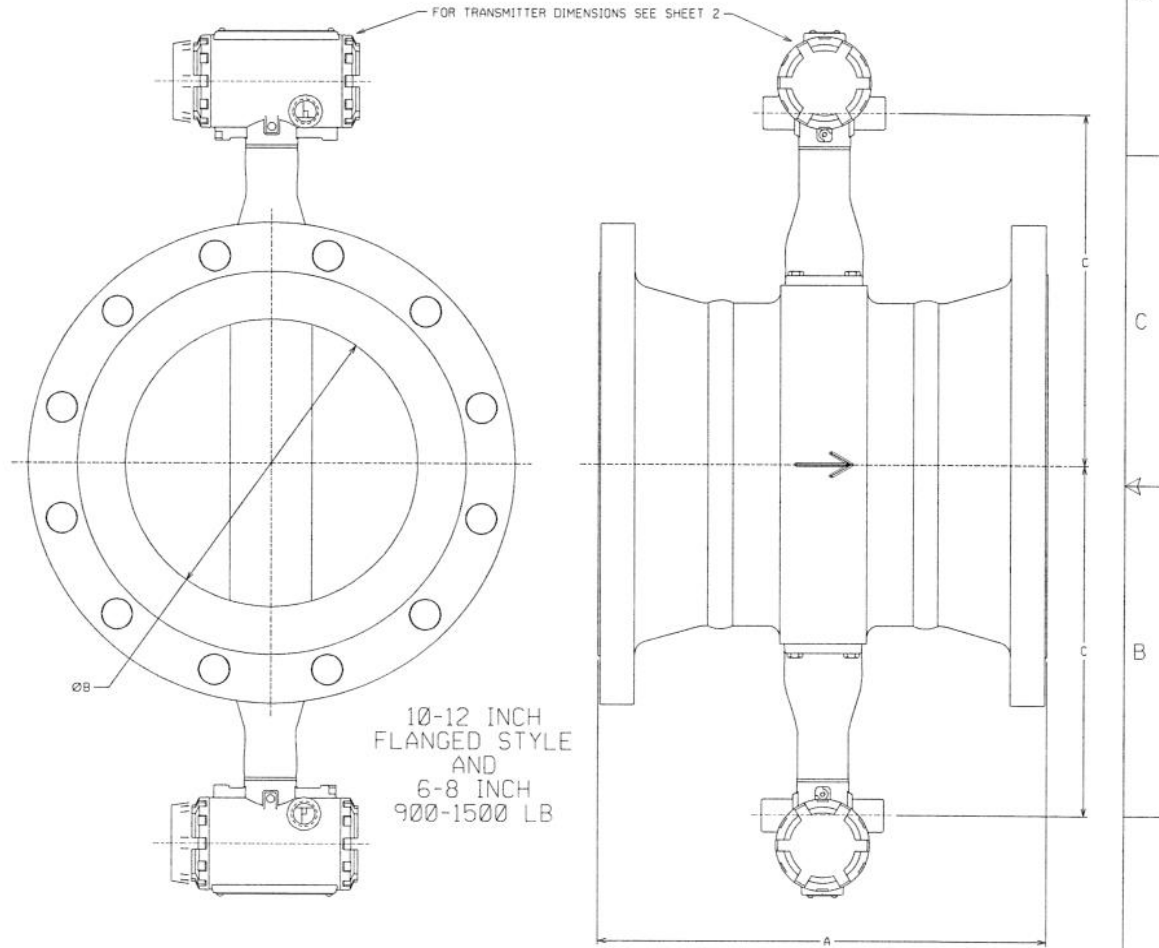
SIZE D FSCM NO. DRAWING NO. 08800-0006 CAD MAINTAINED (WIP/STATION)

DR. B. McCANN 2/24/07

SCALE N/A/WT. SHEET 2 OF 4

NOMINAL SIZE		A±.17 (4.3) INCH (mm)	A±.17 (4.3) ANSI RTJ INCH (mm)	ØB±.03 (0.8) INCH (mm)	C±.20 (5.1) INCH (mm)	WEIGHT LB (kg)
10 IN METER DN250	150 LB	14.6 (371)	15.1 (384)	9.56 (242.8)	12.8 (325)	202 (91.6)
	300 LB	15.8 (401)	16.4 (417)	9.56 (242.8)	12.8 (325)	290 (131.5)
	600 LB	19.1 (485)	19.2 (488)	9.56 (242.8)	12.8 (325)	480 (217.7)
	PN10	11.9 (302)	--	9.56 (242.8)	12.8 (325)	161 (73.0)
	PN16	12.1 (307)	--	9.56 (242.8)	12.8 (325)	165 (74.8)
	PN25	13.5 (343)	--	9.56 (242.8)	12.8 (325)	211 (95.7)
	PN40	14.8 (376)	--	9.56 (242.8)	12.8 (325)	250 (113.4)
	PN64	16.4 (417)	--	9.56 (242.8)	12.8 (325)	311 (141.0)
	PN100	18.9 (480)	--	9.56 (242.8)	12.8 (325)	447 (202.8)
	JIS 10K	14.6 (371)	--	9.56 (242.8)	12.8 (325)	178 (80.7)
JIS 20K	14.6 (371)	--	9.56 (242.8)	12.8 (325)	225 (102.0)	
JIS 40K	18.1 (460)	--	9.56 (242.8)	12.8 (325)	382 (173.3)	
12 IN METER DN300	150 LB	16.8 (427)	17.3 (439)	11.38 (289)	13.7 (348)	300 (136.0)
	300 LB	18.0 (457)	18.7 (475)	11.38 (289)	13.7 (348)	418 (189.6)
	600 LB	20.5 (521)	20.7 (526)	11.38 (289)	13.7 (348)	597 (270.8)
	PN10	13.2 (335)	--	11.38 (289)	13.7 (348)	207 (93.9)
	PN16	13.9 (353)	--	11.38 (289)	13.7 (348)	228 (103.4)
	PN25	15.0 (381)	--	11.38 (289)	13.7 (348)	272 (123.4)
	PN40	16.9 (429)	--	11.38 (289)	13.7 (348)	350 (158.8)
	PN64	18.8 (478)	--	11.38 (289)	13.7 (348)	433 (196.4)
	PN100	21.2 (538)	--	11.38 (289)	13.7 (348)	645 (292.6)
	JIS 10K	15.7 (399)	--	11.38 (289)	13.7 (348)	229 (103.9)
JIS 20K	15.7 (399)	--	11.38 (289)	13.7 (348)	291 (132.0)	
JIS 40K	19.7 (500)	--	11.38 (289)	13.7 (348)	509 (230.9)	

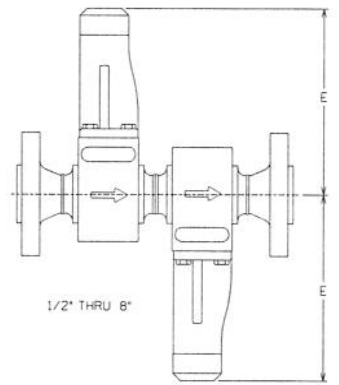
FOR DISPLAY OPTION, ADD 0.4 LB (0.2 kg)



REVISIONS		CHG. NO.	APP'D	DATE
ZONE	REV	DESCRIPTION		
	AT			

Rosemount Inc. 8200 Market Boulevard Chanhassen, MN 55317 USA		SCALE	PSCW NO.	DRAWING NO.	CAD MAINTAINED (Interchange)
DR.	ISSUE	N/A/WT.		08800-0006	
				SHEET	3 OF 4

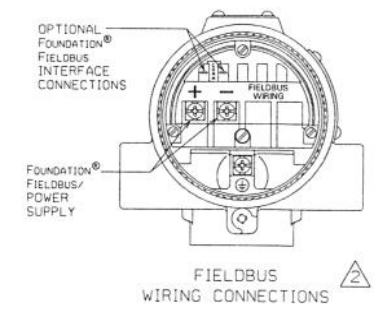
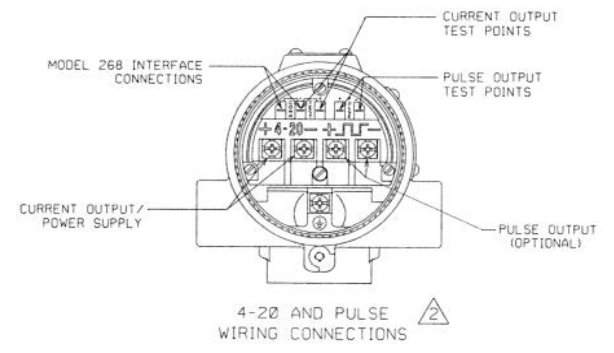
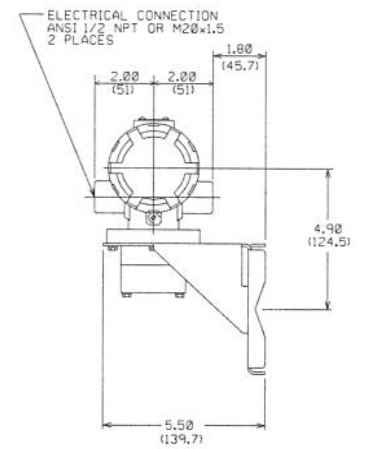
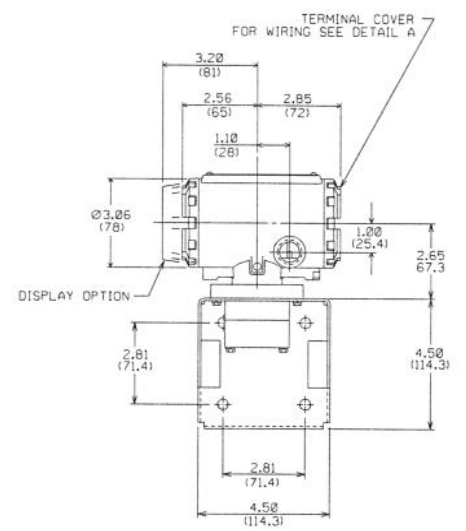
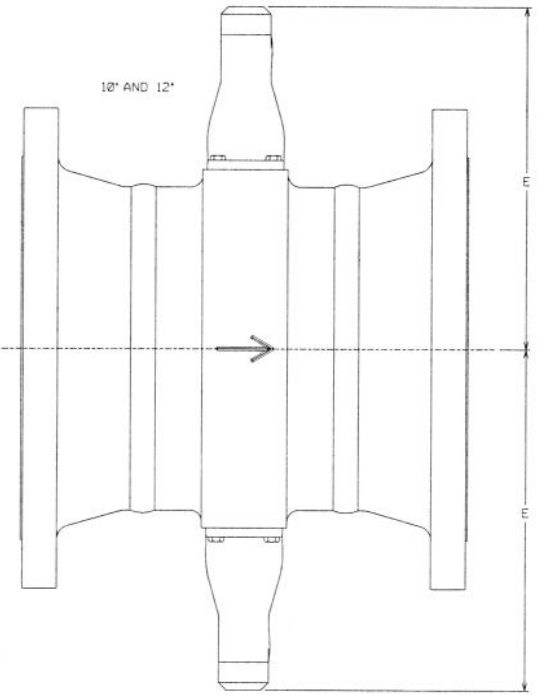
REVISIONS				
ZONE	REV	DESCRIPTION	CHG. NO.	APP'D DATE
	AT			



REMOTE MOUNT

NOMINAL SIZE INCH (mm)	FLANGE STYLE E+2 (5)
.5 IN METER	6.4 (162)
1 IN METER	6.5 (165)
1.5 IN METER	6.8 (173)
2 IN METER	7.2 (183)
3 IN METER	7.8 (198)
4 IN METER	8.3 (211)
6 IN METER	9.5 (241)
8 IN METER	10.4 (264)
10 IN METER	11.5 (292)
12 IN METER	12.4 (315)

FLANGED STYLE



DETAIL A

Rosemount Inc. 8500 Market Boulevard Chanhassen, MN 55317 USA		SIZE D	FSCM NO.	DRAWING NO. 088800-0006	CAD MAINTAINED (MicroStation)
DR. D.M.CANN	DRAWN	SCALE N/A/WT.	SHEET 4 OF 4		