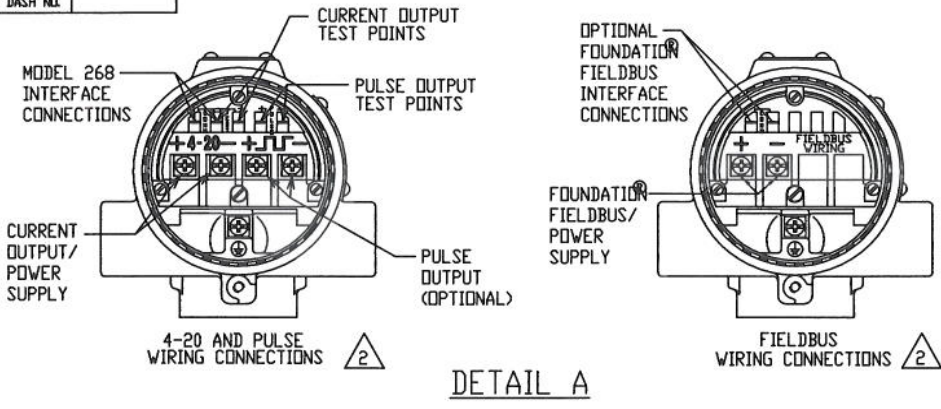
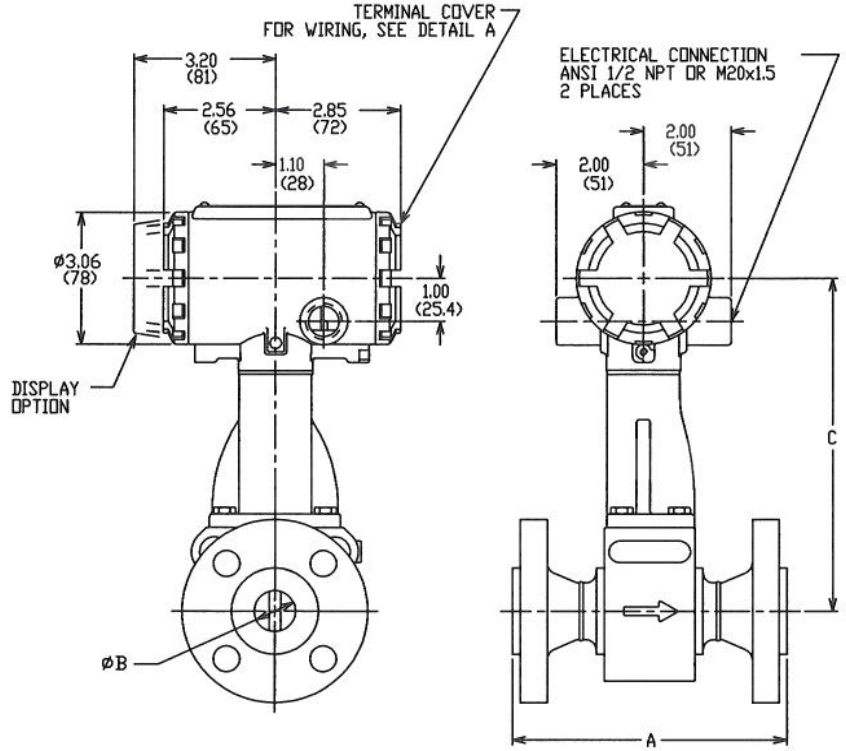


TABULATION	
DASH NO.	

REVISIONS					
ZONE	REV	DESCRIPTION	CHG. NO.	APP'D	DATE
	AW	ADD NOTE 3	RTC1022097	J.F.	7/12/06



DETAIL A



	NOMINAL SIZE	A ±.14 [3,6] INCH [mm]	A ±.14 [3,6] ANSI RTJ INCH [mm]	ϕB ±.03 [0,8] INCH [mm]	C ±.20 [5,1] INCH [mm]	WEIGHT LB (kg)	
5 IN METER DN15	150 LB	6.9 [175]	--	.54 [13,7]	7.6 [193]	9.1 [4,1]	
	300 LB	7.2 [183]	7.7 [196]	.54 [13,7]	7.6 [193]	10.4 [4,7]	
	600 LB	7.7 [196]	7.7 [196]	.54 [13,7]	7.6 [193]	10.8 [4,9]	
	900 LB	8.4 [213]	8.4 [213]	.54 [13,7]	7.6 [193]	15.3 [6,9]	
	PN16/40	6.1 [155]	--	.54 [13,7]	7.6 [193]	10.4 [4,7]	
	PN100	6.6 [168]	--	.54 [13,7]	7.6 [193]	12.3 [5,6]	
	JIS 10K/20K	6.3 [160]	--	.54 [13,7]	7.6 [193]	10.1 [4,5]	
	JIS 40K	7.3 [185]	--	.54 [13,7]	7.6 [193]	13.5 [6,1]	
	1 IN METER DN25	150 LB	7.5 [191]	8.0 [203]	.95 [24,1]	7.7 [196]	12.3 [5,6]
		300 LB	8.0 [203]	8.5 [216]	.95 [24,1]	7.7 [196]	15.0 [6,8]
600 LB		8.5 [216]	8.5 [216]	.95 [24,1]	7.7 [196]	15.8 [7,2]	
900 LB		9.4 [239]	9.4 [239]	.95 [24,1]	7.7 [196]	24.3 [11,0]	
1500 LB		9.4 [239]	9.4 [239]	.95 [24,1]	7.7 [196]	24.3 [11,0]	
PN16/40		6.3 [160]	--	.95 [24,1]	7.7 [196]	13.5 [6,1]	
PN100		7.7 [195]	--	.95 [24,1]	7.7 [196]	19.5 [8,8]	
PN160		7.7 [195]	--	.95 [24,1]	7.7 [196]	19.5 [8,8]	
JIS 10K/20K		6.5 [165]	--	.95 [24,1]	7.7 [196]	13.7 [6,2]	
JIS 40K		7.9 [200]	--	.95 [24,1]	7.7 [196]	17.4 [7,9]	
1.5 IN METER DN40	150 LB	8.2 [208]	8.7 [221]	1.49 [37,8]	8.1 [206]	17.6 [8,0]	
	300 LB	8.7 [221]	9.2 [234]	1.49 [37,8]	8.1 [206]	23.0 [10,4]	
	600 LB	9.4 [239]	9.4 [239]	1.49 [37,8]	8.1 [206]	25.3 [11,5]	
	900 LB	10.4 [264]	10.4 [264]	1.49 [37,8]	8.1 [206]	36.3 [16,5]	
	1500 LB	10.4 [264]	10.4 [264]	1.49 [37,8]	8.1 [206]	36.6 [16,6]	
	PN16/40	6.9 [175]	--	1.49 [37,8]	8.1 [206]	19.3 [8,8]	
	PN100	8.2 [208]	--	1.49 [37,8]	8.1 [206]	27.9 [12,7]	
	PN160	8.4 [213]	--	1.49 [37,8]	8.1 [206]	29.3 [13,3]	
	JIS 10K/20K	7.3 [185]	--	1.49 [37,8]	8.1 [206]	18.6 [8,4]	
	JIS 40K	8.5 [215]	--	1.49 [37,8]	8.1 [206]	25.6 [11,6]	

FOR DISPLAY OPTION, ADD 0.2 LB (0.1 kg)

1/2-1 1/2 INCH FLANGED STYLE

3. ROSEMOUNT CERTIFIES THESE DRAWINGS ARE IN ACCORDANCE WITH ROSEMOUNT ENGINEERING SPECIFICATIONS AND ACCURATELY REPRESENT THE EQUIPMENT FURNISHED.
- REFERENCE INSTRUCTION MANUAL FOR DETAIL INSTALLATION INFORMATION AND WIRING CONNECTIONS, ALL MODELS.
1. DIMENSIONS ARE IN INCHES. DIMENSIONS SHOWN IN PARENTHESIS ARE IN MILLIMETERS.

CONFIDENTIAL AND PROPRIETARY INFORMATION IS CONTAINED HEREIN AND MUST BE HANDLED ACCORDINGLY.	UNLESS OTHERWISE SPECIFIED DIMENSIONS IN INCHES (mm) REMOVE ALL BURS AND SHARP EDGES. MACHINE SURFACE FINISH 125		CONTRACT NO.	
	-TOLERANCES-		DR. D. BROCKE 5/20/99	
	Y ± .12 (3.0)		CHK'D	
	X ± .12 (3.0)		APP'D M. BEULKE 6/10/99	
Z ± .01 (0.25)		APP'D GOVT.		
FRACTIONS ± 1/32		SIZE		
ANGLES ± .5°		SCALE NONE VT.		
DO NOT SCALE PRINT		SHEET OF 4		

CAD Maintained, Pro/D

EMERSON **ROSEMOUNT**
Process Management 800 North East Street • Channahon, IL 61018 USA

INSTALLATION DRAWING FOR
8800 VORTEX FLOWMETER

FROM NO. DRAWING NO. 08800-0002

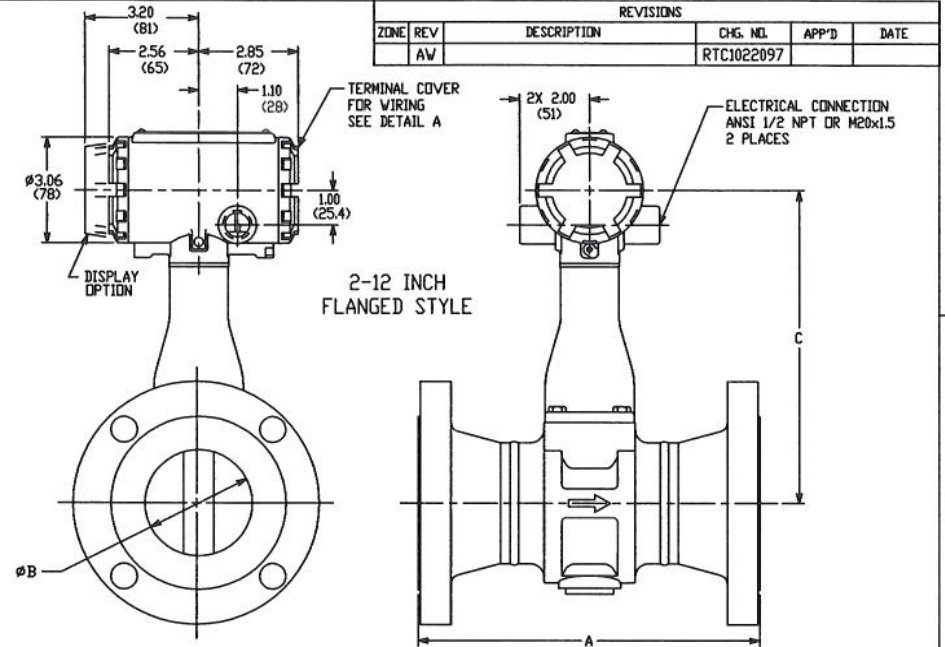
4

3

2

1

NOMINAL SIZE	A ±.14 [3,6] INCH [mm]	A ±.14 [3,6] ANSI RTJ INCH [mm]	ØB ±.03 [0,8] INCH [mm]	C ±.20 [5,1] INCH [mm]	WEIGHT LB (kg)	
2 IN METER DN50	150 LB	9.3 [236]	9.8 [249]	1.92 [48,8]	8.5 [216]	22.0 [10,0]
	300 LB	9.8 [249]	10.4 [264]	1.92 [48,8]	8.5 [216]	26.0 [11,8]
	600 LB	10.5 [267]	10.7 [271]	1.92 [48,8]	8.5 [216]	29.6 [13,4]
	900 LB	12.8 [325]	12.9 [328]	1.92 [48,8]	8.5 [216]	59.0 [26,7]
	1500 LB	12.8 [325]	12.9 [328]	1.67 [42,4]	8.5 [216]	59.4 [26,9]
	PN16/40	8.0 [203]	--	1.92 [48,8]	8.5 [216]	23.0 [10,4]
	PN64	9.2 [234]	--	1.92 [48,8]	8.5 [216]	30.6 [13,9]
	PN100	9.6 [244]	--	1.92 [48,8]	8.5 [216]	36.4 [16,5]
	PN160	10.2 [259]	--	1.92 [48,8]	8.5 [216]	38.7 [17,6]
	JIS 10K	7.7 [195]	--	1.92 [48,8]	8.5 [216]	19.5 [8,8]
	JIS 20K	8.3 [210]	--	1.92 [48,8]	8.5 [216]	20.1 [9,1]
JIS 40K	9.8 [249]	--	1.92 [48,8]	8.5 [216]	28.3 [12,8]	
3 IN METER DN80	150 LB	9.9 [251]	10.4 [264]	2.87 [72,9]	9.1 [231]	36.9 [16,7]
	300 LB	10.6 [269]	11.2 [284]	2.87 [72,9]	9.1 [231]	46.1 [20,9]
	600 LB	11.4 [290]	11.5 [292]	2.87 [72,9]	9.1 [231]	52.1 [23,6]
	900 LB	12.9 [328]	13.0 [330]	2.87 [72,9]	9.1 [231]	75.5 [34,2]
	1500 LB	14.1 [358]	14.2 [361]	2.60 [66,0]	9.1 [231]	105.8 [48,0]
	PN16/40	8.9 [226]	--	2.87 [72,9]	9.1 [231]	36.3 [16,5]
	PN64	10.0 [254]	--	2.87 [72,9]	9.1 [231]	45.1 [20,5]
	PN100	10.5 [267]	--	2.87 [72,9]	9.1 [231]	54.4 [24,7]
	PN160	11.2 [284]	--	2.87 [72,9]	9.1 [231]	59.6 [27,0]
	JIS 10K	7.9 [200]	--	2.87 [72,9]	9.1 [231]	27.6 [12,5]
	JIS 20K	9.3 [235]	--	2.87 [72,9]	9.1 [231]	35.0 [15,9]
JIS 40K	11.0 [280]	--	2.87 [72,9]	9.1 [231]	50.0 [22,7]	
4 IN METER DN100	150 LB	10.3 [262]	10.8 [274]	3.79 [96,3]	9.6 [244]	50.7 [23,0]
	300 LB	11.0 [279]	11.6 [295]	3.79 [96,3]	9.6 [244]	70.8 [32,1]
	600 LB	12.8 [325]	12.9 [328]	3.79 [96,3]	9.6 [244]	96.5 [43,8]
	900 LB	13.8 [351]	13.9 [353]	3.79 [96,3]	9.6 [244]	119.7 [54,3]
	1500 LB	14.5 [368]	14.6 [371]	3.40 [86,4]	9.6 [244]	157.9 [71,6]
	PN16	8.4 [213]	--	3.79 [96,3]	9.6 [244]	40.1 [18,2]
	PN40	9.4 [239]	--	3.79 [96,3]	9.6 [244]	49.2 [22,3]
	PN100	11.3 [287]	--	3.79 [96,3]	9.6 [244]	62.1 [28,2]
	PN160	12.1 [307]	--	3.79 [96,3]	9.6 [244]	85.8 [38,9]
	JIS 10K	8.7 [220]	--	3.79 [96,3]	9.6 [244]	37.0 [16,8]
	JIS 20K	8.7 [220]	--	3.79 [96,3]	9.6 [244]	44.9 [20,4]
JIS 40K	11.8 [300]	--	3.79 [96,3]	9.6 [244]	75.3 [34,2]	
6 IN METER DN150	150 LB	11.6 [295]	12.1 [307]	5.70 [144,8]	10.8 [274]	90.0 [40,8]
	300 LB	12.4 [315]	13.0 [330]	5.70 [144,8]	10.8 [274]	129.5 [58,7]
	600 LB	14.3 [363]	14.5 [368]	5.70 [144,8]	10.8 [274]	195.5 [88,7]
	900 LB	16.1 [409]	16.2 [411]	5.14 [130,6]	10.8 [274]	253.7 [115,1]
	1500 LB	18.6 [472]	18.8 [478]	5.14 [130,6]	10.8 [274]	376.0 [170,6]
	PN16	8.9 [226]	--	5.70 [144,8]	10.8 [274]	75.6 [34,3]
	PN40	10.5 [267]	--	5.70 [144,8]	10.8 [274]	95.3 [43,2]
	PN64	12.1 [307]	--	5.70 [144,8]	10.8 [274]	138.8 [63,0]
	PN100	13.7 [348]	--	5.70 [144,8]	10.8 [274]	168.5 [76,4]
	PN160	14.7 [373]	--	5.14 [130,6]	10.8 [274]	186.8 [84,7]
	JIS 10K	10.6 [270]	--	5.70 [144,8]	10.8 [274]	79.8 [36,2]
JIS 20K	10.6 [270]	--	5.70 [144,8]	10.8 [274]	97.7 [44,3]	
JIS 40K	14.2 [360]	--	5.70 [144,8]	10.8 [274]	175.9 [79,8]	
8 IN METER DN200	150 LB	13.6 [345]	14.1 [358]	7.55 [191,8]	11.7 [297]	139.6 [63,3]
	300 LB	14.3 [363]	15.0 [381]	7.55 [191,8]	11.7 [297]	196.2 [89,0]
	600 LB	16.6 [422]	16.7 [424]	7.55 [191,8]	11.7 [297]	295.0 [133,8]
	900 LB	18.8 [478]	19.0 [483]	6.62 [168,1]	11.7 [297]	420.4 [190,7]
	1500 LB	22.8 [579]	23.2 [589]	6.62 [168,1]	11.7 [297]	646.0 [293,0]
	PN10	10.5 [266]	--	7.55 [191,8]	11.7 [297]	109.6 [49,7]
	PN16	10.5 [266]	--	7.55 [191,8]	11.7 [297]	108.5 [49,2]
	PN25	11.9 [302]	--	7.55 [191,8]	11.7 [297]	136.3 [61,8]
	PN40	12.5 [318]	--	7.55 [191,8]	11.7 [297]	154.8 [70,2]
	PN64	14.2 [361]	--	7.55 [191,8]	11.7 [297]	214.6 [97,3]
	PN100	15.8 [401]	--	7.55 [191,8]	11.7 [297]	279.9 [127,0]
PN160	16.6 [422]	--	6.62 [168,1]	11.7 [297]	309.3 [140,3]	
JIS 10K	12.2 [310]	--	7.55 [191,8]	11.7 [297]	109.9 [49,9]	
JIS 20K	12.2 [310]	--	7.55 [191,8]	11.7 [297]	134.3 [60,9]	
JIS 40K	16.5 [420]	--	7.55 [191,8]	11.7 [297]	255.7 [116,0]	



NOMINAL SIZE	A ±.14 [3,6] INCH [mm]	A ±.14 [3,6] ANSI RTJ INCH [mm]	ØB ±.03 [0,8] INCH [mm]	C ±.20 [5,1] INCH [mm]	WEIGHT LB (kg)	
10 IN METER DN250	150 LB	14.6 [371]	15.1 [384]	9.56 [242,8]	12.8 [325]	197.2 [89,4]
	300 LB	15.8 [401]	16.4 [416]	9.56 [242,8]	12.8 [325]	285.2 [129,4]
	600 LB	19.1 [485]	19.2 [488]	9.56 [242,8]	12.8 [325]	475.3 [215,6]
	900 LB	21.6 [549]	21.7 [551]	9.56 [242,8]	12.8 [325]	623.1 [282,6]
	1500 LB	27.1 [688]	27.4 [696]	9.56 [242,8]	12.8 [325]	1126.0 [510,7]
	PN10	11.9 [302]	--	9.56 [242,8]	12.8 [325]	156.3 [70,9]
	PN16	12.1 [307]	--	9.56 [242,8]	12.8 [325]	161.1 [73,1]
	PN25	13.5 [343]	--	9.56 [242,8]	12.8 [325]	197.4 [89,5]
	PN40	14.8 [376]	--	9.56 [242,8]	12.8 [325]	245.3 [111,3]
	PN64	16.4 [416]	--	9.56 [242,8]	12.8 [325]	306.3 [138,9]
	PN100	18.9 [480]	--	9.56 [242,8]	12.8 [325]	443.0 [200,9]
	JIS 10K	14.6 [371]	--	9.56 [242,8]	12.8 [325]	173.3 [78,6]
	JIS 20K	14.6 [371]	--	9.56 [242,8]	12.8 [325]	220.5 [100,0]
	JIS 40K	18.1 [460]	--	9.56 [242,8]	12.8 [325]	377.3 [171,1]
12 IN METER DN300	150 LB	16.8 [427]	17.3 [439]	11.38 [289,0]	13.7 [348]	296.0 [134,2]
	300 LB	18.0 [457]	18.7 [475]	11.38 [289,0]	13.7 [348]	413.2 [187,4]
	600 LB	20.5 [521]	20.7 [526]	11.38 [289,0]	13.7 [348]	592.2 [268,6]
	900 LB	24.1 [612]	24.2 [615]	11.38 [289,0]	13.7 [348]	844.0 [383,0]
	1500 LB	30.5 [775]	31.2 [792]	11.38 [289,0]	13.7 [348]	1697.0 [769,7]
	PN10	13.2 [335]	--	11.38 [289,0]	13.7 [348]	203.1 [92,1]
	PN16	13.9 [353]	--	11.38 [289,0]	13.7 [348]	223.4 [101,3]
	PN25	15.0 [381]	--	11.38 [289,0]	13.7 [348]	267.8 [121,5]
	PN40	16.9 [429]	--	11.38 [289,0]	13.7 [348]	345.7 [156,8]
	PN64	18.8 [478]	--	11.38 [289,0]	13.7 [348]	428.5 [194,4]
	PN100	21.2 [538]	--	11.38 [289,0]	13.7 [348]	640.8 [290,7]
	JIS 10K	15.7 [399]	--	11.38 [289,0]	13.7 [348]	224.5 [101,8]
	JIS 20K	15.7 [399]	--	11.38 [289,0]	13.7 [348]	287.1 [130,2]
	JIS 40K	19.7 [500]	--	11.38 [289,0]	13.7 [348]	504.7 [228,9]

FOR DISPLAY OPTION, ADD 0.2 LB (0.1 kg)

Rosenmount Inc.
8200 Market Boulevard
Chanhassen, MN 55317
USA

CAD Maintained, (Pro/E)

SIZE	FSC#	DRAWING NO.	08800-0002
SCALE	NONE	WT.	SHEET 2 OF 4

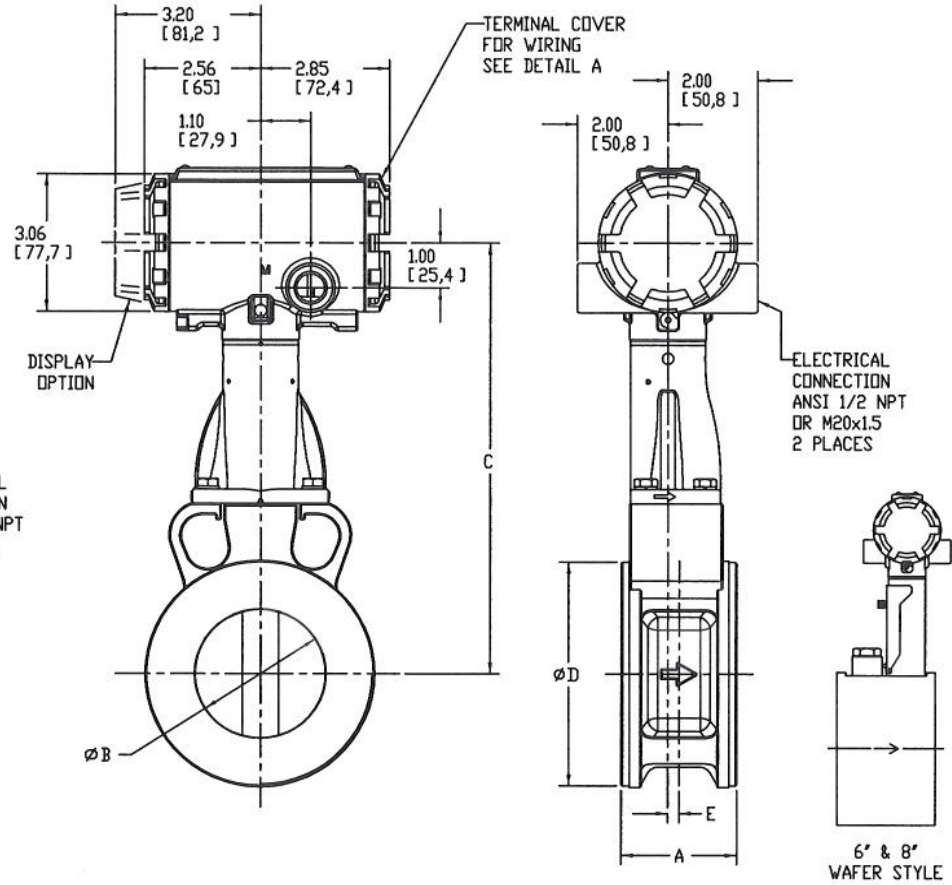
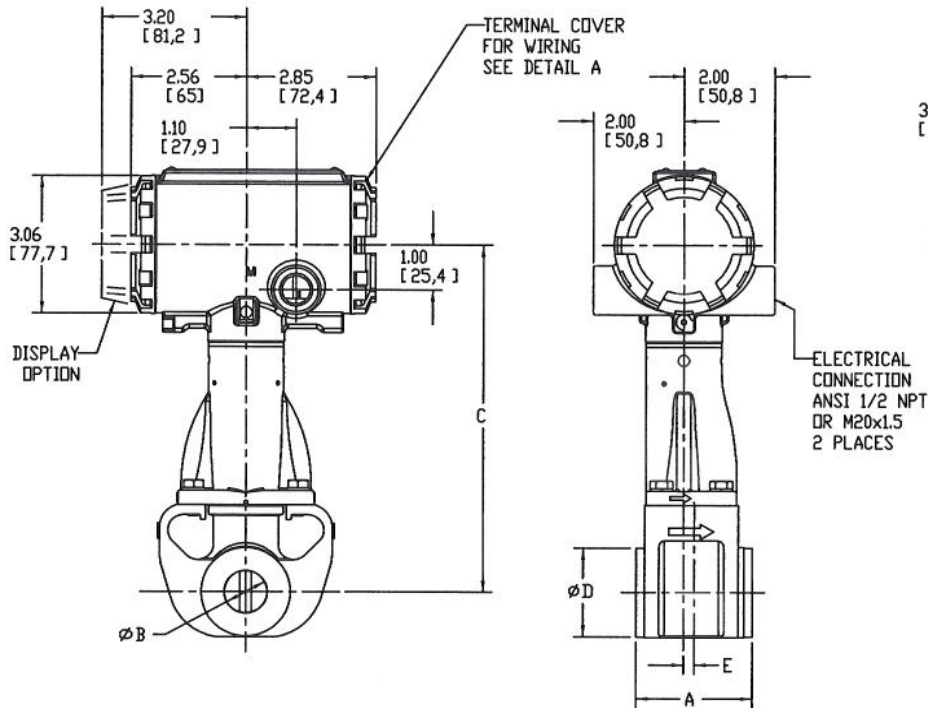
4

3

2

1

REVISIONS					
ZONE	REV	DESCRIPTION	CHG. NO.	APP'D	DATE
	AW		RTC1022097		



NOMINAL SIZE INCH [mm]	A	ØB	C ±.20 [5,1]	ØD	E	WEIGHT LB [kg]
1/2 [15]	2.56 [65]	.52 [13,2]	7.63 [194]	1.38 [35,1]	.17 [4,3]	6.8 [3,1]
1 [25]	2.56 [65]	.95 [24,1]	7.74 [197]	1.98 [50,3]	.23 [5,9]	7.4 [3,4]
1-1/2 [40]	2.56 [65]	1.49 [37,8]	8.14 [206]	2.87 [72,9]	.18 [4,5]	10.0 [4,5]

1 THRU 1½ INCH WAFER STYLE

NOMINAL SIZE INCH [mm]	A	ØB	C ±.20 [5,1]	ØD	E	WEIGHT LB [kg]
2 [50]	2.56 [65]	1.92 [48,8]	8.85 [224,8]	3.86 [98,0]	.12 [3,0]	10.6 [4,8]
3 [80]	2.56 [65]	2.87 [72,9]	9.62 [244,4]	5.00 [127,0]	.25 [6,4]	13.6 [6,2]
4 [100]	3.42 [86,9]	3.79 [96,3]	10.48 [266,2]	6.20 [157,5]	.44 [11,2]	21.4 [9,7]
6 [150]	4.99 [126,7]	5.70 [144,8]	10.75 [273]	8.50 [215,9]	1.11 [28,2]	49.1 [22,3]
8 [200]	6.60 [168]	7.55 [192]	11.67 [296]	10.62 [270]	.89 [23]	85 [38,6]

2 THRU 8 INCH WAFER STYLE

Rosenount Inc.
8200 Market Boulevard
Charlottesville, VA 55317
USA

CAD Maintained, (Pro/E)

SIZE	FSC# NO.	DRAWING NO.	08800-0002
SCALE	1:2	VT.	SHEET 3 OF 4

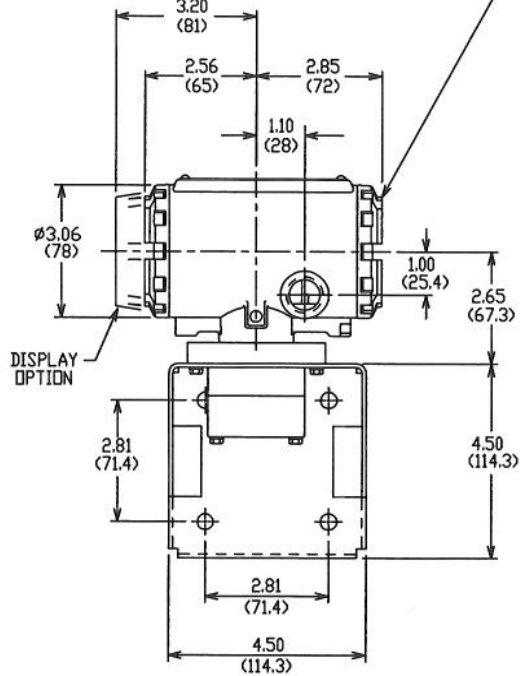
4

3

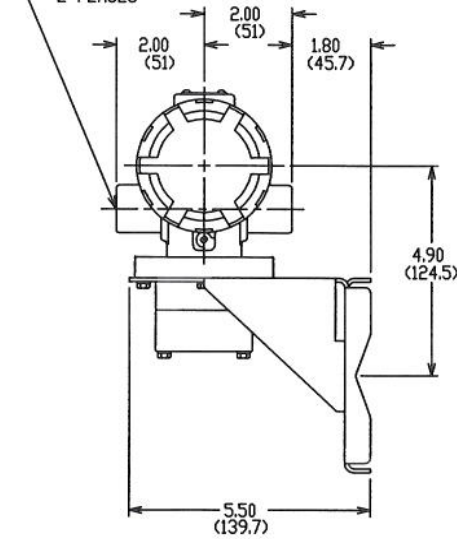
2

1

TERMINAL COVER FOR
WIRING, SEE DETAIL A

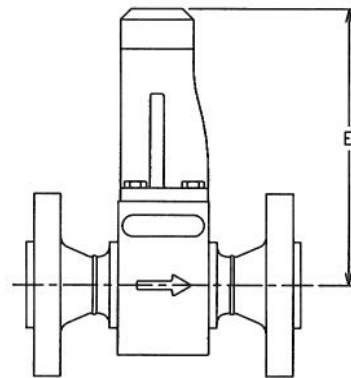


ELECTRICAL CONNECTION
ANSI 1/2 NPT OR M20x1.5
2 PLACES

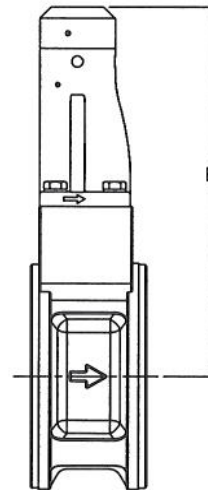


REMOTE MOUNT

NOMINAL SIZE INCH (mm)	WAFER STYLE 8800C E ±2 [5]	FLANGE STYLE E
.5 IN METER	6.3 (160)	6.4 (162)
1 IN METER	6.5 (165)	6.5 (165)
1.5 IN METER	6.7 (170)	6.8 (173)
2 IN METER	7.5 (191)	7.2 (183)
3 IN METER	8.3 (211)	7.8 (198)
4 IN METER	9.2 (234)	8.3 (211)
6 IN METER	9.5 (241)	9.5 (241)
8 IN METER	10.4 (264)	10.4 (264)
10 IN METER	-	11.4 (290)
12 IN METER	-	12.3 (313)



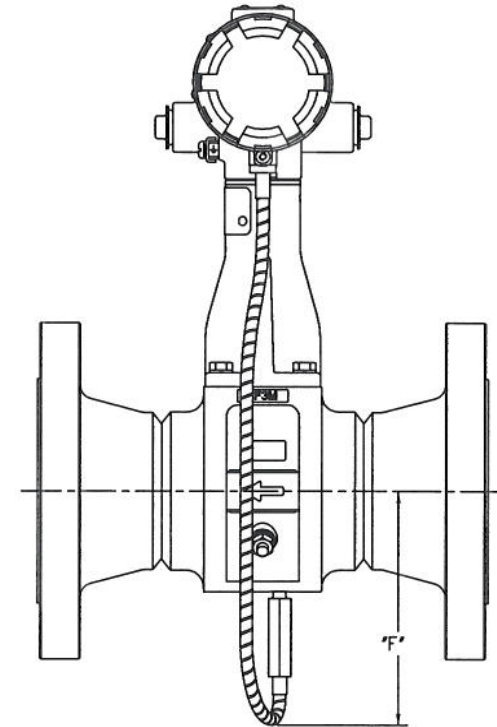
REMOUT MOUNT
FLANGED STYLE



REMOTE MOUNT
WAFER STYLE

REVISIONS					
ZONE	REV	DESCRIPTION	CHG. NO.	APP'D	DATE
	AW		RTC1022097		

MTA OPTION 2"-12"
FLANGED ONLY



MTA OPTION	
LINE SIZE	'F'
2	4.7
3	5.3
4	5.9
6	7.4
8	8.3
10	9.3
12	10.1

Rosenount Inc.
8200 Market Boulevard
Charthassen, MN 55317
USA

CAD Maintained, (Pro/E)

SIZE F	FSCH NO.	DRAWING NO.	08800-0002
SCALE	NONE	VT.	SHEET 4 OF 4