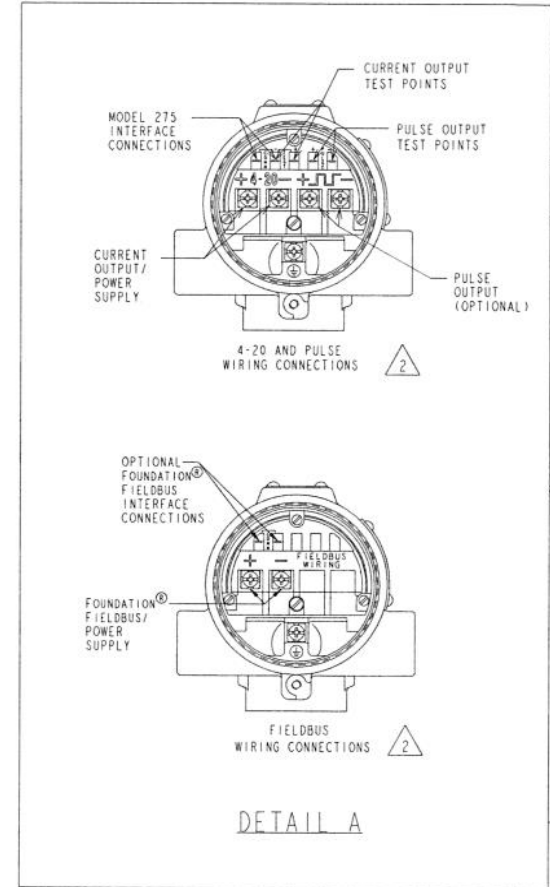
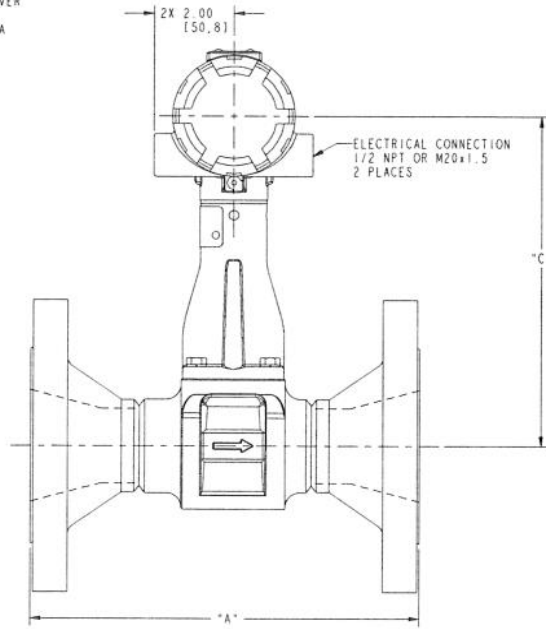
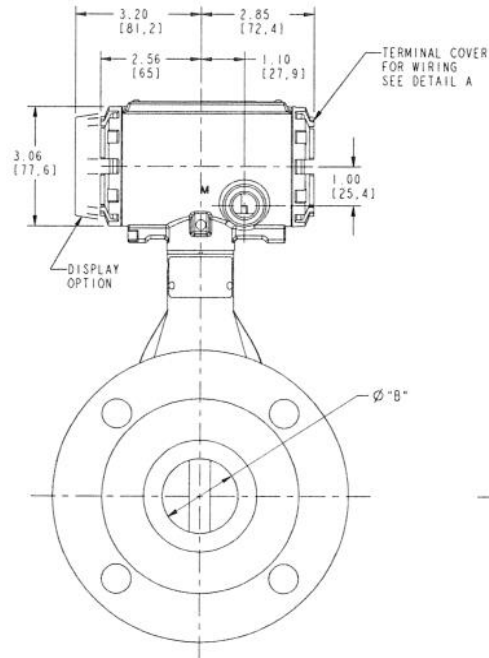


TABULATION	
DASH NO.	

REVISIONS					
ZONE	REV	DESCRIPTION	CHG. NO.	APP'D	DATE
AD		ADD NOTE 3: ADD MTA OPTION	RTC1022097	J.F.	7/12/06

1" THRU 12" REDUCER FLANGE



3. ROSEMOUNT CERTIFIES THESE DRAWINGS ARE IN ACCORDANCE WITH ROSEMOUNT ENGINEERING SPECIFICATIONS AND ACCURATELY REPRESENT THE EQUIPMENT FURNISHED.
- 2 REFERENCE INSTRUCTION MANUAL FOR DETAIL INSTALLATION INFORMATION AND WIRING CONNECTIONS, ALL MODELS.
1. DIMENSIONS ARE IN INCHES. DIMENSIONS SHOWN IN PARENTHESIS ARE IN MILLIMETERS.

CONFIDENTIAL AND PROPRIETARY INFORMATION IS CONTAINED HEREIN AND MUST BE HANDLED ACCORDINGLY	UNLESS OTHERWISE SPECIFIED DIMENSIONS IN INCHES (mm)	CONTRACT NO.	<b>ROSEMOUNT</b> <small>8200 Metcal Boulevard • Charlotte, NC 28118 USA</small>	
	REMOVE ALL BURRS AND SHARP EDGES. MACHINE SURFACE FINISH 125.	DR. D. BROKKE 4/24/02	TITLE	INSTALLATION DRAWING FOR 8800 REDUCER VORTEX FLOWMETER
	TOLERANCES:	CHK'D	APP'D M. SEVERSON 5/7/02	SIZE C
	X .001 (0.025) XI .002 (0.051) XII .010 (0.254)	APP'D GOVT	SCALE 1:2	WT. SHEET 1 OF 3

4

3

2

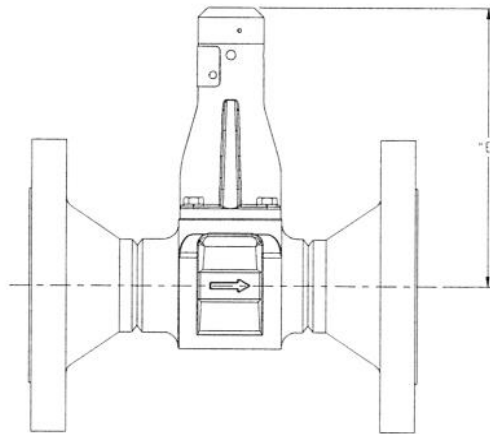
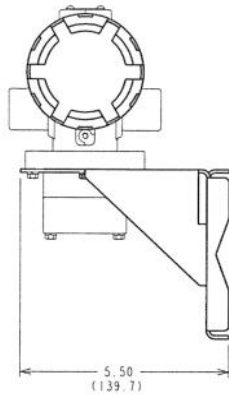
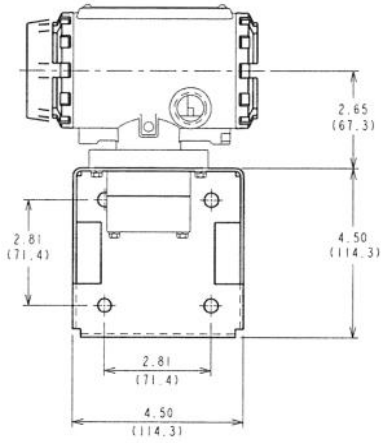
REVISIONS					
ZONE	REV	DESCRIPTION	CHG. NO.	APP'D	DATE
AD			RTC1022097		

NOMINAL SIZE	A ± .14 [3.6] INCH [mm]	A ± .14 [3.6] ANSI RTJ INCH [mm]	ØB ± .03 [0.8] INCH [mm]	C ± .20 [5.1] INCH [mm]	WEIGHT LB [kg]
<b>1 IN METER DN25</b>					
150 LB	7.5 [191]	8.0 [203]	.54 [13.7]	7.6 [193]	11.6 [5.2]
300 LB	8.0 [203]	8.5 [216]	.54 [13.7]	7.6 [193]	14.2 [6.4]
600 LB	8.5 [216]	8.5 [216]	.54 [13.7]	7.6 [193]	15.1 [6.9]
900 LB	9.4 [239]	9.4 [239]	.54 [13.7]	7.6 [193]	20.7 [9.4]
PN16/40	6.3 [160]	--	.54 [13.7]	7.6 [193]	12.6 [5.7]
PN100	7.7 [195]	--	.54 [13.7]	7.6 [193]	18.4 [8.4]
JIS 10K/20K	--	--	--	--	--
JIS 40K	--	--	--	--	--
<b>1.5 IN METER DN40</b>					
150 LB	8.2 [208]	8.7 [221]	.95 [24.1]	7.7 [196]	15.8 [7.2]
300 LB	8.7 [221]	9.2 [234]	.95 [24.1]	7.7 [196]	21.2 [9.6]
600 LB	9.4 [239]	9.4 [239]	.95 [24.1]	7.7 [196]	23.8 [10.8]
900 LB	10.4 [264]	10.4 [264]	.95 [24.1]	7.7 [196]	35.0 [15.9]
PN16/40	6.9 [175]	--	.95 [24.1]	7.7 [196]	15.5 [7.0]
PN100	8.2 [208]	--	.95 [24.1]	7.7 [196]	26.2 [11.9]
PN160	8.4 [213]	--	.95 [24.1]	7.7 [196]	27.7 [12.6]
JIS 10K/20K	--	--	--	--	--
JIS 40K	--	--	--	--	--
<b>2 IN METER DN50</b>					
150 LB	9.3 [236]	9.8 [249]	1.49 [37.8]	8.1 [206]	22.6 [10.3]
300 LB	9.8 [249]	10.4 [264]	1.49 [37.8]	8.1 [206]	26.8 [12.1]
600 LB	10.5 [267]	10.7 [271]	1.49 [37.8]	8.1 [206]	30.6 [13.9]
900 LB	12.8 [325]	12.9 [328]	1.49 [37.8]	8.1 [206]	60.8 [27.6]
PN16/40	8.0 [203]	--	1.49 [37.8]	8.1 [206]	23.5 [10.7]
PN64	9.2 [234]	--	1.49 [37.8]	8.1 [206]	31.3 [14.2]
PN100	9.6 [244]	--	1.49 [37.8]	8.1 [206]	37.2 [16.9]
PN160	10.2 [259]	--	1.49 [37.8]	8.1 [206]	39.6 [18.0]
JIS 10K	--	--	--	--	--
JIS 20K	--	--	--	--	--
JIS 40K	--	--	--	--	--
<b>3 IN METER DN60</b>					
150 LB	9.9 [251]	10.4 [264]	1.92 [48.8]	8.5 [216]	33.2 [15.0]
300 LB	10.6 [269]	11.2 [284]	1.92 [48.8]	8.5 [216]	42.7 [19.4]
600 LB	11.4 [290]	11.5 [292]	1.92 [48.8]	8.5 [216]	49.5 [22.4]
900 LB	12.9 [328]	13.0 [330]	1.92 [48.8]	8.5 [216]	73.3 [33.2]
PN16/40	8.9 [226]	--	1.92 [48.8]	8.5 [216]	33.3 [15.1]
PN64	10.0 [254]	--	1.92 [48.8]	8.5 [216]	42.4 [19.3]
PN100	10.5 [267]	--	1.92 [48.8]	8.5 [216]	52.2 [23.7]
PN160	11.2 [284]	--	1.92 [48.8]	8.5 [216]	57.9 [26.3]
JIS 10K	--	--	--	--	--
JIS 20K	--	--	--	--	--
JIS 40K	--	--	--	--	--
<b>4 IN METER DN100</b>					
150 LB	10.3 [262]	10.8 [274]	2.87 [72.9]	9.1 [231]	46.3 [21.0]
300 LB	11.0 [279]	11.6 [295]	2.87 [72.9]	9.1 [231]	67.0 [30.4]
600 LB	12.8 [325]	12.9 [328]	2.87 [72.9]	9.1 [231]	94.3 [42.8]
900 LB	13.8 [351]	13.9 [353]	2.87 [72.9]	9.1 [231]	118.0 [53.5]
PN16	8.4 [213]	--	2.87 [72.9]	9.1 [231]	36.4 [16.5]
PN40	9.4 [239]	--	2.87 [72.9]	9.1 [231]	45.9 [20.8]
PN64	10.4 [264]	--	2.87 [72.9]	9.1 [231]	59.7 [27.1]
PN100	11.3 [287]	--	2.87 [72.9]	9.1 [231]	76.7 [34.8]
PN160	12.1 [307]	--	2.87 [72.9]	9.1 [231]	84.7 [38.4]
JIS 10K	--	--	--	--	--
JIS 20K	--	--	--	--	--
JIS 40K	--	--	--	--	--

NOMINAL SIZE	A ± .14 [3.6] INCH [mm]	A ± .14 [3.6] ANSI RTJ INCH [mm]	ØB ± .03 [0.8] INCH [mm]	C ± .20 [5.1] INCH [mm]	WEIGHT LB [kg]
<b>6 IN METER DN150</b>					
150 LB	11.6 [295]	12.1 [307]	3.79 [96.3]	9.6 [244]	70.3 [31.9]
300 LB	12.4 [315]	13.0 [330]	3.79 [96.3]	9.6 [244]	113.1 [51.3]
600 LB	14.3 [363]	14.5 [368]	3.79 [96.3]	9.6 [244]	185.1 [84.0]
900 LB	16.1 [409]	16.2 [411]	3.79 [96.3]	9.6 [244]	246.3 [111.7]
PN16	8.9 [226]	--	3.79 [96.3]	9.6 [244]	59.2 [26.9]
PN40	10.5 [267]	--	3.79 [96.3]	9.6 [244]	81.9 [37.2]
PN64	12.1 [307]	--	3.79 [96.3]	9.6 [244]	125.4 [56.9]
PN100	13.7 [348]	--	3.79 [96.3]	9.6 [244]	162.3 [73.6]
PN160	14.7 [373]	--	3.79 [96.3]	9.6 [244]	187.9 [85.2]
JIS 10K	--	--	--	--	--
JIS 20K	--	--	--	--	--
JIS 40K	--	--	--	--	--
<b>8 IN METER DN200</b>					
150 LB	13.6 [345]	14.1 [358]	5.70 [144.8]	10.8 [274]	133.1 [60.4]
300 LB	14.3 [363]	15.0 [381]	5.70 [144.8]	10.8 [274]	195.5 [88.7]
600 LB	16.6 [422]	16.7 [424]	5.70 [144.8]	10.8 [274]	305.2 [138.4]
PN10	10.5 [266]	--	5.70 [144.8]	10.8 [274]	100.9 [45.8]
PN16	10.5 [266]	--	5.70 [144.8]	10.8 [274]	100.9 [45.8]
PN25	11.9 [302]	--	5.70 [144.8]	10.8 [274]	134.0 [60.8]
PN40	12.5 [318]	--	5.70 [144.8]	10.8 [274]	155.0 [70.3]
PN64	14.2 [361]	--	5.70 [144.8]	10.8 [274]	220.7 [100.1]
PN100	15.8 [401]	--	5.70 [144.8]	10.8 [274]	292.9 [132.9]
JIS 10K	--	--	--	--	--
JIS 20K	--	--	--	--	--
JIS 40K	--	--	--	--	--
<b>10 IN METER DN250</b>					
150 LB	14.6 [371]	15.1 [384]	7.55 [191.8]	11.7 [297]	182.4 [82.8]
300 LB	15.8 [401]	16.4 [416]	7.55 [191.8]	11.7 [297]	281.7 [127.8]
600 LB	19.1 [485]	19.2 [488]	7.55 [191.8]	11.7 [297]	489.9 [222.2]
PN10	11.9 [302]	--	7.55 [191.8]	11.7 [297]	138.6 [62.9]
PN16	12.1 [307]	--	7.55 [191.8]	11.7 [297]	148.6 [67.4]
PN25	13.5 [343]	--	7.55 [191.8]	11.7 [297]	191.0 [86.6]
PN40	14.8 [376]	--	7.55 [191.8]	11.7 [297]	245.8 [111.5]
PN64	16.4 [416]	--	7.55 [191.8]	11.7 [297]	314.1 [142.5]
PN100	18.9 [480]	--	7.55 [191.8]	11.7 [297]	463.5 [210.2]
JIS 10K	--	--	--	--	--
JIS 20K	--	--	--	--	--
JIS 40K	--	--	--	--	--
<b>12 IN METER DN300</b>					
150 LB	16.8 [427]	17.3 [439]	9.56 [242.8]	12.8 [325]	282.0 [127.9]
300 LB	18.0 [457]	18.7 [475]	9.56 [242.8]	12.8 [325]	412.2 [187.0]
600 LB	20.5 [521]	20.7 [526]	9.56 [242.8]	12.8 [325]	609.9 [276.6]
PN10	13.2 [335]	--	9.56 [242.8]	12.8 [325]	188.3 [85.4]
PN16	13.9 [353]	--	9.56 [242.8]	12.8 [325]	211.8 [96.1]
PN25	15.0 [381]	--	9.56 [242.8]	12.8 [325]	262.4 [119.0]
PN40	16.9 [429]	--	9.56 [242.8]	12.8 [325]	349.9 [158.7]
PN64	18.8 [478]	--	9.56 [242.8]	12.8 [325]	444.2 [201.5]
PN100	21.2 [558]	--	9.56 [242.8]	12.8 [325]	672.1 [304.8]
JIS 10K	--	--	--	--	--
JIS 20K	--	--	--	--	--
JIS 40K	--	--	--	--	--

FOR DISPLAY OPTION, ADD 0.2 LB (0.1 kg)

Rosemount Inc. 8200 Market Boulevard Chanhassen, MN 55317 USA		CAD Maintained. (Pro/E)	
SIZE C	FSCM NO.	DRAWING NO.	08800-0009
SCALE	1:1	WT	SHEET 2 OF 3

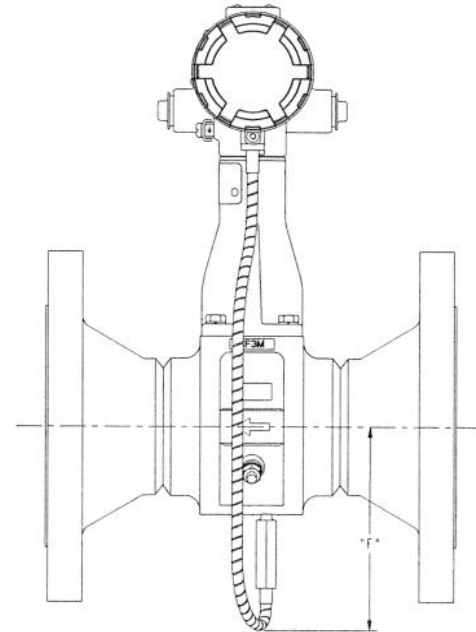


REMOTE MOUNT

METER NOMINAL SIZE	"E"
1 [25]	6.4 [162]
1.5 [40]	6.5 [165]
2 [50]	6.8 [173]
3 [80]	7.2 [183]
4 [100]	7.8 [198]
6 [150]	8.3 [211]
8 [200]	9.5 [241]
10 [250]	10.4 [264]
12 [300]	11.4 [290]

REVISIONS					
ZONE	REV	DESCRIPTION	CHG. NO.	APP'D	DATE
	AD		RTC1022097		

MTA OPTION 3"-12"



MTA OPTION	
LINE SIZE	"F"
3	4.7
4	5.3
6	5.9
8	7.4
10	8.3
12	9.3

Rosemount Inc.  
8200 Market Boulevard  
Chanhassen, MN 55317 USA

CAD Maintained, (Pro/E)

DR	SIZE C	FSCW NO.	DRAWING NO. 08800-0009
	SCALE: 1:2	WT	SHEET 3 OF 3