

Product Data Sheet

PDS 106-4050.A01

March, 2006

NEW!

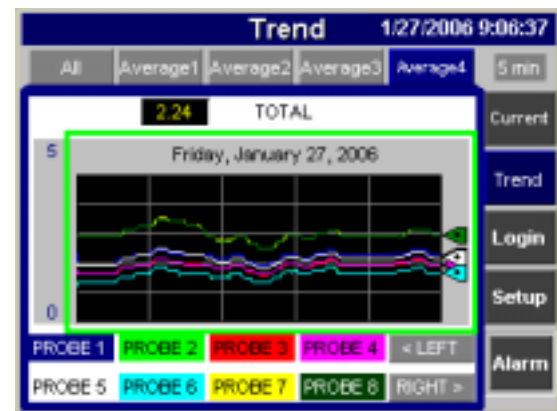
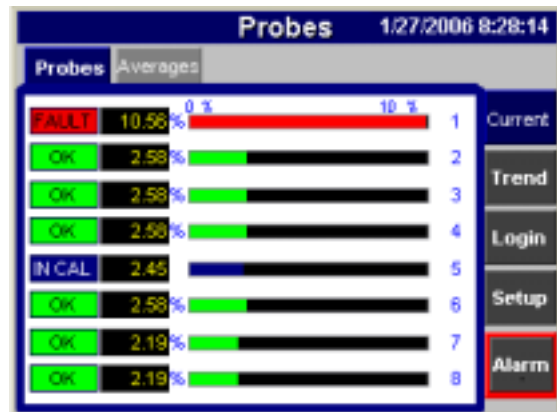
OxyBalance Oxygen Display and Averaging System

Large combustion processes continually require improved gas analysis in order to maintain the best heat rate performance. The OxyBalance system is a display and averaging system that assists plant operations in setting overall fuel/air ratios as well as providing a tool for balancing individual burners or sets of burners.



FEATURES

- Graphically displays and trends from 1-8 oxygen measurements
- Probe inputs may be from Rosemount Analytical, Westinghouse or any competitive oxygen probe with a 4-20 mA signal output
- Auto Sense – automatically detects probes when they are wired into the system
- Generates up to 4 signals (4-20 mA) as programmable averages
- Failed or calibrating probes are automatically removed from the average
- Individual probe readings remain autonomous and are unaffected by any potential failure of the OxyBalance unit
- Variable time scale trends for each individual probe value, as well as for up to 4 averages
- Password protection for set up menus
- No single point of failure – individual probe 4-20 mA signals going to the DCS are unaffected by a power supply or other failure of the OxyBalance



ROSEMOUNT[®]
Analytical

Visit our website at www.raihome.com
On-line ordering available.


EMERSON[™]
Process Management

SPECIFICATIONS

Ambient Environment:

Temperature Specification: -5°C to 35°C

Ambient temperature effect on electronics: less than .01% of reading per 10°C

Vibration: IEC 68-2-6 and ISA S37.3

Shock: IEC 68-2-31 and ISA S37.3

Enclosure: NEMA 4X

Area Classification: General Purpose

Power Requirements: 110V/240 V, 50/60 Hz.

I/O:

Analog Inputs: 4-20 mA (qty. 1 to 8 O₂ probes) input impedance – 275 ohms

Analog Outputs: 4-20 mA (qty. 1 to 8 pass through for each probe, qty. 4 programmable averages)

Analog Output Resolution (for averages): 12 bit

Analog Output Resistive Load: < 500 ohms

Discrete Inputs: "IN CAL" (qty. 2 to 8 from individual probes)

On-state current: Minimum – 2.0 mA @ 10V dc
Maximum – 12.0 mA @ 30V dc

Relay Outputs: "LOSS OF PLC"
"AVERAGE WARN" if one or more probes drop out of an average

"AVERAGE FAILED" for each average when only one probe in the average remains valid

Relay contact ratings: 120/220V ac 2.5A
125V dc 1.0A
24V dc 2.0A

Logic:

4 programmable averages from 2-8 probes

Individual probes removed from average if:

- 1) Probe fails (4-20 mA to default condition of 3.5 mA or 21 mA)
- 2) Probe is in cal (SPS/IMPS contact, must share with control room)

Signal Security:

Each probe utilizes its own autonomous signal conditioning electronics, including its own power supply. Any failure in the OxyBalance System will not affect the individual probe 4-20 mA signals going to the control room from each probe.

Personnel Security:

Password protection configuration changes in programmable averages.

Color Graphic Display:

Size: 6" diagonal

Type: Color Active Matrix, TFT LCD

Resolution: 320 by 240 min.

Touch screen operator interface

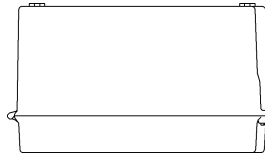
Note: *Panelvision Color Graphic Display may be separately mounted into a panel. 15 feet of interconnecting cable is included.*

Ordering Information:

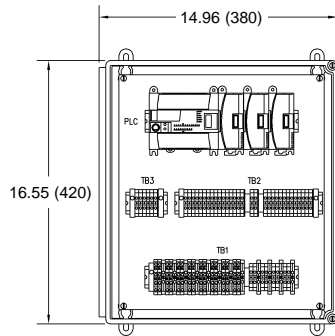
NEMA 4X Box 2 - 4 probes - 6A00203G01
5 - 8 probes - 6A00203G02

Plate Mount 2 - 4 probes - 6A00203G11
5 - 8 probes - 6A00203G12

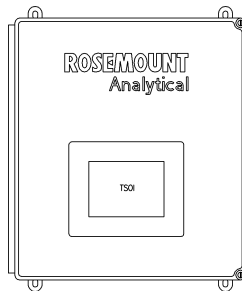
DIMENSIONS



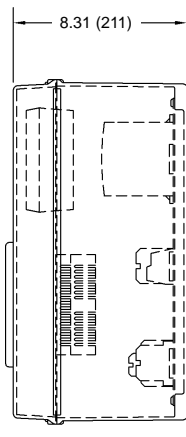
TOP



FRONT (DOOR REMOVED)



FRONT



RIGHT

All dimensions in inches
(mm in parentheses)

Rosemount Analytical Oxymitter Oxygen Probes (ordered separately)

- 18" to 18' long
- Accuracy +/- .75% of reading, or .05%)2
- Fully field-repairable
- Rugged construction
- Integral or remote electronics



Integral electronics



Remote electronics

Autocalibration Systems

- 1 to 4 probes per box
- Calibration recommended diagnostic
- "in cal" contact



The contents of this publication are presented for informational purposes only, and while every effort has been made to ensure their accuracy, they are not to be construed as warranties or guarantees, express or implied, regarding the products or services described herein or their use or applicability. All sales are governed by our terms and conditions, which are available on request. We reserve the right to modify or improve the designs or specifications of our products at any time without notice.

WORLD HEADQUARTERS

**Emerson Process Management
Rosemount Analytical Inc.**
6565 P Davis Industrial Parkway
Solon, OH 44139 USA
T 440.914.1261
Toll Free in US and Canada
800.433.6076
F 440.914.1271
e-mail: gas.csc@EmersonProcess.com
www.raihome.com

GAS CHROMATOGRAPHY CENTER AND LATIN AMERICA

**Emerson Process Management
Rosemount Analytical Inc.**
11100 Brittmoore Park Drive
Houston, TX 77041
T 713 467 6000
F 713 827 3329

ASIA-PACIFIC

**Emerson Process Management
Asia Pacific Private Limited**
1 Pandan Crescent
Singapore 128461
Republic of Singapore
T 65 6 777 8211
F 65 6 777 0947
e-mail: analytical@ap.emersonprocess.com

ROSEMOUNT ANALYTICAL EUROPE

**Emerson Process Management
GmbH & Co. OHG**
Industriestrasse 1
63594 Hasselroth
Germany
T 49 6055 884 0
F 49 6055 884209

EUROPE, MIDDLE EAST AND AFRICA

**Emerson Process Management
Shared Services Limited**
Heath Place
Bognor Regis
West Sussex PO22 9SH
England
T 44 1243 863121
F 44 1243 845354



EMERSON™
Process Management