

Product Data Sheet

PDS 102-201.A01

January, 2005

Rosemount Analytical Pneumatic Power Positioners

PRODUCT DESCRIPTION

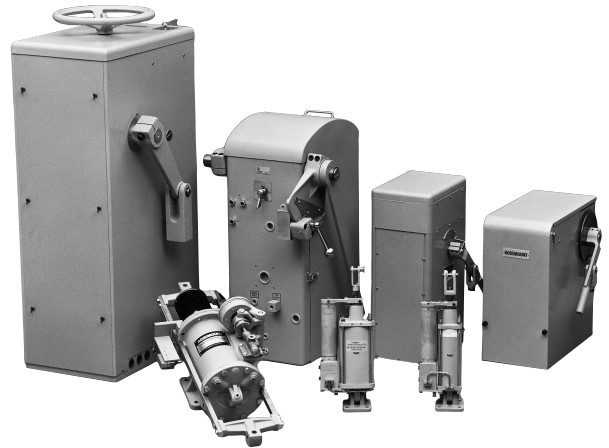
Industry needs muscle to control process valves, dampers and feed mechanisms accurately and in response to a demand signal. Emerson's Rosemount Analytical pneumatic power positioners have been satisfying these exacting control requirements for many years in countless applications – from steel mills to refineries – where positioning speed and accuracy are taken for granted.

Rosemount Analytical power positioners are manufactured in cylinder sizes from 2-1/2 to 8 inches in diameter with strokes of 5 to 14 inches. They come in thrust and torque models for wall, swivel or floor mounting and with accessories such as limit switches, position transmitters, heated enclosures, air failure lock and characterized cams that provide an output motion that is a function of the input signal.

The miniature 2-1/2 x 5 positioner is so compact that 24 to 48 of these units are often used to control secondary air on one boiler. The 4 x 5, 5 x 10 and 6 x 10 units are appropriately sized for average control requirements, and the 8 x 14 offers greater force for tougher jobs such as huge slide dampers and large valves.

FEATURES

- True Positioning Devices – All power positioners assume a definite position of the crosshead or operating lever for each demand signal variation through the action of an integral feedback mechanism.
- Mounting Variety – Models are available for convenient wall, swivel, or floor mounting. These positioners are often mounted directly on lever type valves by the valve manufacturer.
- Characterized Positioner – All positioners are equipped with a standard rotary cam or cam bar which produces a straight line relationship between input signal and output motion. Square or square root and blank cams are available.
- Air Lock – Designated models are equipped with an internal locking mechanism which stops and locks the positioner in the control position existing at the moment of air supply failure until air pressure is restored. System air locking schemes are also available.
- Fail Safe – Designated models can be equipped to drive the positioner to full open or full closed in case of air supply failure. NOTE: This feature should not be used with the air lock feature.



- Manual Operators – All torque type positioners are equipped with either a manual operating lever or a manual operating handwheel.
- Ambient Temperature – Positioners are generally suitable for operation from 0 to 140°F (-17,8 to 60°C) with a maximum rating of 300°F (149°C) for certain high temperature models.
- Dust Cover and Internal Heater – A dust cover is provided with or without heater and thermostat for certain torque type models.
- Limit Switches and Position Transmitters – Limit switches and position transmitters are available on designated models.
- Power Air Supply – Clean dry instrument air at 45 to 120 psig is required for cylinders of 8 inch diameter or less. For cylinders over 8 inches in diameter, the maximum air pressure for standard service is 100 psig and 250 psig for heavy duty service.

BENEFITS

- Accuracy
- Reliability
- Simple maintenance because of rugged frame construction
- Efficient torque and power at a minimum cost
- Fast response to small input signal changes due to high internal gain

ROSEMOUNT[®]
Analytical

Visit our website at www.raihome.com
On-line ordering available.


EMERSON[™]
Process Management

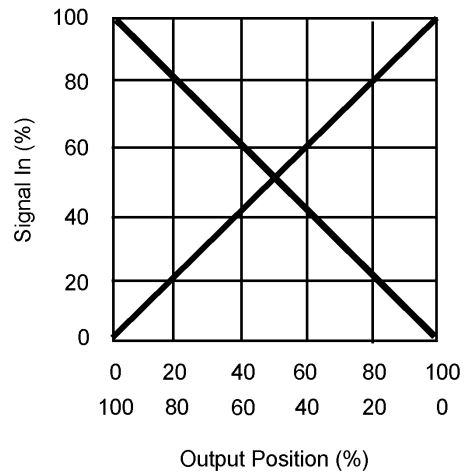
OPERATION

Non-characterized (spring) feedback produces a straight line (1:1) relationship between the input signal and output response.

The linear shape produces a straight line (1:1) relationship between the input signal and output response.

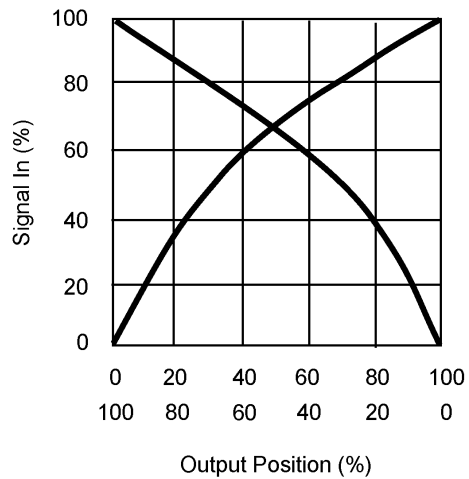
Input-Output Characteristics

Linear (x)



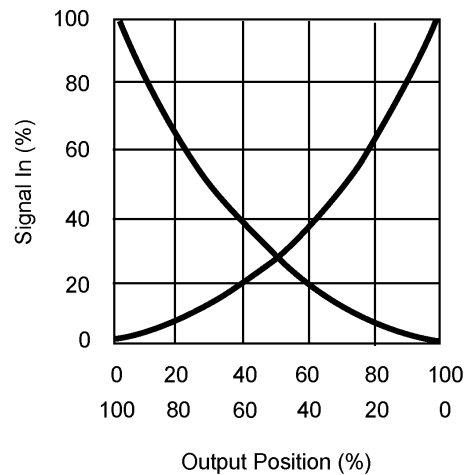
Characterized (cam) feedback provides choice of linear/ square or square root characteristic for more versatility and better zeroing ability.

Square (x^2)



The square (x^2) shape will produce a small output change for large input changes during the lower portion of the signal range. When operating in the upper portion of the signal range, a small input change will be required to produce a large output change.

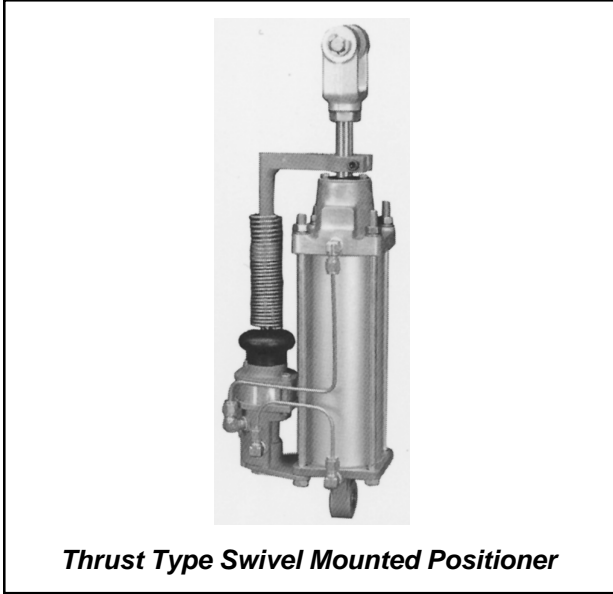
Square Root (\sqrt{x})



Conversely, the square-root (\sqrt{x}) shape will produce a relatively large output change for small input changes during approximately the first 10% of signal range. When operating in the upper portion of the signal range, a large input change will be required to produce a small output change.

Note: Stall torques and thrusts are noted in the specifications.
Rosemount Analytical recommends oversizing actuators by 40 percent above force required to ensure responsive operation.

2 1/2 X 5 THRUST TYPE SWIVEL MOUNTED SPECIFICATIONS ¹



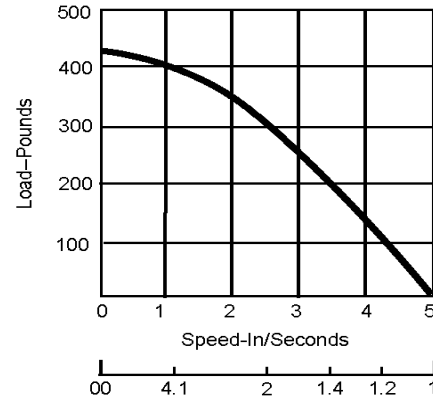
OPTIONS

Fail safe (loss of power air)
I/P signal convertor
Dual limit switches

Pivot base
Anchor pivot pin for CE

ACCESSORIES

Clevis, clevis pin and retaining rings are included. An air filter regulator is required but is not included.



Speed-Thrust Curve

Accuracy: ± 1% of full scale
Temperature limits: 0° to 170°F (-17,8° to 77°C)
Full stroke time: 2 sec. or less
Hysteresis: ± 0.8% of full scale
Input signal range: 3-15, 3-27, 0-30, 0-60 psig (21-103, 21-186, 0-207, 0-414 kPa gauge), and 4-20 mA

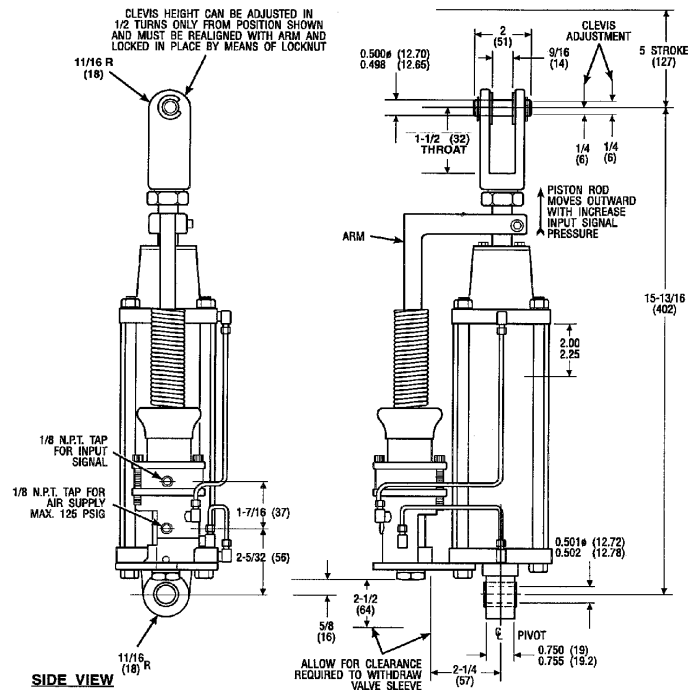
Air supply
Maximum: 120 psig (827 kPa gauge)
Minimum: 45 psig (310 kPa gauge)
Recommended: 100 psig (689 kPa gauge)

Thrust and load data
Stall thrust: 500 lbs. (228 kg)
Maximum friction load: 125 lbs. (57 kg)
Maximum allowable weight load: 175 lbs. (79 kg)

Positioning accuracy with 3-27 psi control signal: 1%

Air consumption: 0.5 scfm free air

Air filter, style 4505C21G03: sufficient capacity for 12 positioners ²



Drawings are for reference purposes only and Emerson does not warrant the accuracy of the dimensions herein.

¹ Specifications are subject to change without notification. Our policy is one of continuous improvement, and we reserve the right to change specifications.

² Two air filter regulators, Style 45D5C21G03, in parallel are required for 12 positioners.

2 1/2 X 5 THRUST TYPE SWIVEL MOUNTED ORDERING INFORMATION

Clevis, clevis pin and retaining rings are integral and are included. Instruction Manual IB 102-202N is included. Air filter 4505C21G03 should be ordered with positioner (see Accessory List below).

PP205	Pneumatic Power Positioner 2-1/2 x 5 Thrust Type				Shipping Weight: 9 lbs. (20 kg)										
	<table border="1"> <thead> <tr> <th>Code</th> <th>Single Range/Electric Position Transmitter</th> </tr> </thead> <tbody> <tr> <td>1</td> <td>3-15 PSI signal</td> </tr> <tr> <td>3</td> <td>3-27 PSI signal</td> </tr> <tr> <td>5</td> <td>0-30 PSI signal</td> </tr> <tr> <td>7</td> <td>On/off operation ¹</td> </tr> </tbody> </table>					Code	Single Range/Electric Position Transmitter	1	3-15 PSI signal	3	3-27 PSI signal	5	0-30 PSI signal	7	On/off operation ¹
Code	Single Range/Electric Position Transmitter														
1	3-15 PSI signal														
3	3-27 PSI signal														
5	0-30 PSI signal														
7	On/off operation ¹														
	<table border="1"> <thead> <tr> <th>Code</th> <th>Limit Switches</th> </tr> </thead> <tbody> <tr> <td>0</td> <td>None</td> </tr> <tr> <td>1</td> <td>2 limit switches provided ²</td> </tr> </tbody> </table>					Code	Limit Switches	0	None	1	2 limit switches provided ²				
Code	Limit Switches														
0	None														
1	2 limit switches provided ²														
	<table border="1"> <thead> <tr> <th>Code</th> <th>I/P Transmitter for accepting 4-20 mA Control Signal</th> </tr> </thead> <tbody> <tr> <td>0</td> <td>None</td> </tr> <tr> <td>1</td> <td>Provided (unmounted)</td> </tr> </tbody> </table>					Code	I/P Transmitter for accepting 4-20 mA Control Signal	0	None	1	Provided (unmounted)				
Code	I/P Transmitter for accepting 4-20 mA Control Signal														
0	None														
1	Provided (unmounted)														
	<table border="1"> <thead> <tr> <th>Code</th> <th>Mounting</th> </tr> </thead> <tbody> <tr> <td>1</td> <td>Standard swivel base</td> </tr> <tr> <td>2</td> <td>VeriTrim mounting</td> </tr> </tbody> </table>					Code	Mounting	1	Standard swivel base	2	VeriTrim mounting				
Code	Mounting														
1	Standard swivel base														
2	VeriTrim mounting														
PP205	2	1	0	1	EXAMPLE										

ACCESSORIES

Code	Description
4505C21G03	Air filter/regulator – recommended
371763	Pivot base and pin
271638	Anchor pivot pin for CE boilers (separated overfire air) ³
3D37449G01	Fail-safe – 0% or 100% of travel initiated upon loss of power air, I/P included. 3-15 PSI control signals, only
3D39395G07	Maintenance tool kit
	Paint – Rosemount blue

NOTES:

- ¹ Solenoid for on/off operation is dual coil 120 VAC.
- ² Limit switches are only adjustable 0-5% on closed end, and 95-100% on open end.
- ³ For Trunnion mounted version, consult factory.

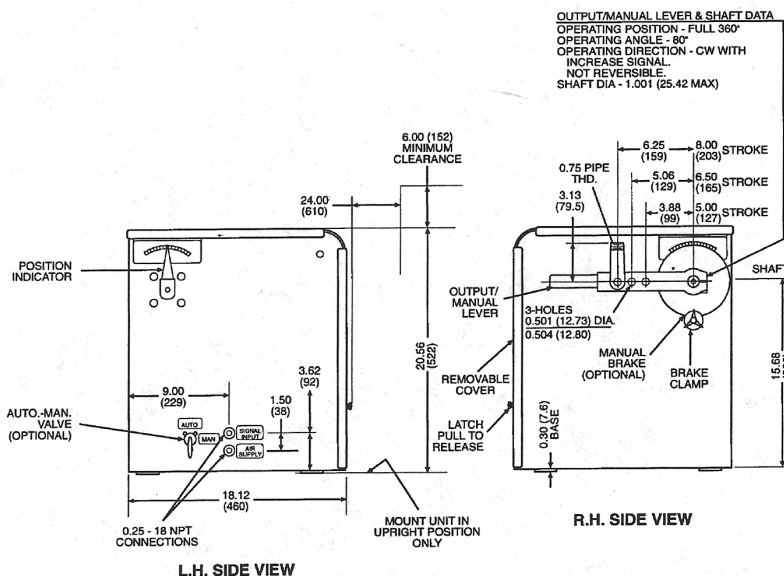
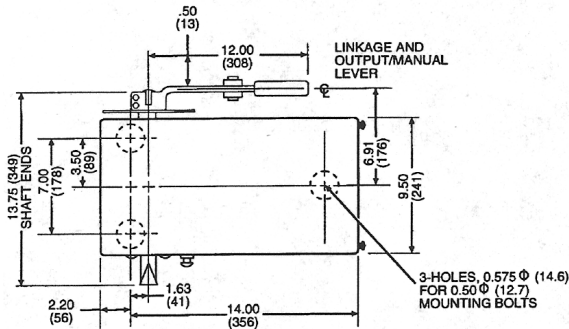
Rating for Limit Switches – SPDT

125 volts ac	15 amps
250 volts ac	15 amps
480 volts ac	15 amps
150 volts dc	0.5 amps
250 volts dc	0.25 amps

2 1/2 X 5; 4 X 5 ECONO TORQUE TYPE FLOOR MOUNTED SPECIFICATIONS ¹



This positioner was designed to accommodate low torque applications (below 90 ft.-lb.) (122 N.m) such as small packaged boilers, butterfly valves, jackshafts, fired heaters, etc. For applications requiring up to 180 foot pounds (244 N.m) a 4 x 5 cylinder is available.



Outline and Mounting Dimensions

OPTIONS

- Characterized or non-characterized positioning
- Manual brake
- Supply air release
- SPDT limit switches
- Heater and thermostat
- Electric position transmitter
- Air lock
- Fail safe
- I/P signal convertor
- Large cylinder for plant air supply below 100 psig (689 kPa)

ACCESSORIES

- Air filter regulator is included
- Clevis and pin are included

Repeatability: 1.0% of full stroke

Temperature limit: 40-170°F (4-77°C)

Full stroke time (unloaded): 2 seconds or less

Air supply

Maximum: 120 psi (827 kPa)

Minimum: 45 psi (310 kPa)

Recommended: 100 psi (689 kPa)

Air consumption: 0.4 scfm (free air)

Torque load data based on recommended air supply

Stall torque (2-1/2 x 5): 120 ft.-lbs. (162 N.m)

Stall torque (4x5): 240 ft.-lbs. (325 N.m)

Maximum friction load: 30 ft.-lbs. (41 N.m)

Maximum allowable weight load: 45 ft.-lbs. (61 N.m)

Input signal: 3-15, 3-27, 0-30 psi (21-103, 21-186, 0-207 kPa), and 4-20 mA

Output shaft angle: 80°

Unit weight: 60 lbs. (27 kg)

Dimensions in inches with millimeters in parentheses

Drawings are for reference purposes only and Emerson does not warrant the accuracy of the dimensions herein.

¹ Specifications are subject to change without notification. Our policy is one of continuous improvement, and we reserve the right to change specifications.

2 1/2 X 5; 4 X 5 ECONO TORQUE TYPE FLOOR MOUNTED ORDERING INFORMATION

• Select complete model number from model number matrix

Shp. Wt.
lbs./kgs.

Pneumatic Power Positioner Econo Torque Type	80/33
---	--------------

Includes air filter/regular style 4505C21G03 and Clevis, style 174469

Code	Positioner Type	
1	Non-characterized	
2	Characterized	

Code	Positioner Size	
1	2.5 x 5 cylinder	
2	4 x 5 cylinder ¹	

Code	Signal Range	
1	3 – 15 psig (21–103 kPa)	4/1,8
2	3 – 27 psig (21–186 kPa)	4/1,8
3	0 – 30 psig (0 – 207 kPa)	4/1,8
4	4 – 20 mA (I/P mounted and piped)	9/4,1

Code	Manual and Lock Operation	
0	None	
1	Manual operator	
2	Manual operator and manual lock	
3	Manual operator, manual lock and soft air lock ²	
4	Manual operator, manual lock and fail safe ³	10/4,5

Code	Limit Switches (SPDT) ⁴	
1	None	
2	Two switches	4/1,8
4	Two switches and electric position transmitter (EPT) ⁵	8/3,6

Code	Heater and Thermostat	
0	None	
1	150 watt (AC) heater	

PP075T	1	2	3	1	2	1	EXAMPLE	80/33
--------	---	---	---	---	---	---	---------	-------

¹ Recommended to provide 180 foot pounds (244 N m) torque if plant air supply is 100 psig (689 kPa) or 90 foot pounds (122 N m) with 50 psig (345 kPa) air supply.

² Soft air lock is accomplished by trapping air in the cylinder – it is not a mechanical lock.

³ Assembled to fail open (piston extended 100%) on loss of power air supply.

⁴ SPDT wwitch ratings 15 Amps, 125, 250, or 480 VAC; 10 Amps, 125 VAC, "L" (Tungsten Lamp) 1 HP, 125 VAC; 2 HP, 250 VAC 1/2 amp, 125 VDC, 1/4 amp, 250 VDC.

⁵ Two wire (24 VDC) 4 – 20 mA transmitter, not for intrinsically safe applications.

4 X 5 THRUST TYPE SWIVEL MOUNTED ORDERING INFORMATION

Clevis, clevis pin and retaining rings are integral and are included. Air filter/reg. 4505C21G03 should be ordered with positioner (See Accessory List below).

Code	Signal Range		Ship Weight lbs./kgs.
	psig N.m	Current	
3D39491G01	0 – 30/0-207		30/13,6
3D39491G02	3 – 15/21-103		30/13,6
3D39491G03	3 – 27/21-186		30/13,6
3D39491G02	(requires I/P parts, see note ¹ below)	4 – 20	30/13,6

Accessories

Code		Ship Weight lbs./kgs.
371763	Pivot base and pin	3/1,4
3D37449G01	Fail-safe ²	15/6,8
4505C21G03	Air filter	1/0,5

¹ Order Parts 9885A31H01, 275431-007, 4505C21G01 (these parts remote mounted)

² Actuated on loss of power air only

4 X 5 TORQUE TYPE FLOOR MOUNTED SPECIFICATIONS ¹



The Rosemount Analytical 4 x 5 Torque Type Power Positioner accepts standard pneumatic signal ranges and produces a 0 to 80° proportional shaft rotation. The options available include analog position transmission and/or contact closure for remote use, and position lock up on power air supply failure.

OPTIONS

- Heater and thermostat
- Air lock and positive mechanical lock
- Manual lock
- Limit switches – standard or heavy duty
- Minimum stop
- Fail safe
- I/P signal convertor

ACCESSORIES

- Filter regulator is included
- Clevis and pin are included

Drawings are for reference purposes only and Emerson does not warrant the accuracy of the dimensions herein.

¹ Specifications are subject to change without notification. Our policy is one of continuous improvement, and we reserve the right to change specifications.

SPECIFICATIONS

SIGNAL REQUIREMENTS

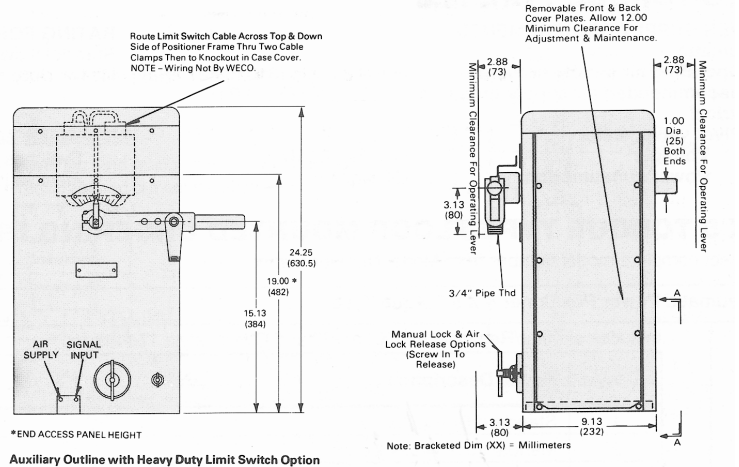
Inputs

Direct: 3-15/0-30 psig (21-103/0-207 kPa) and 4-20 mA signal

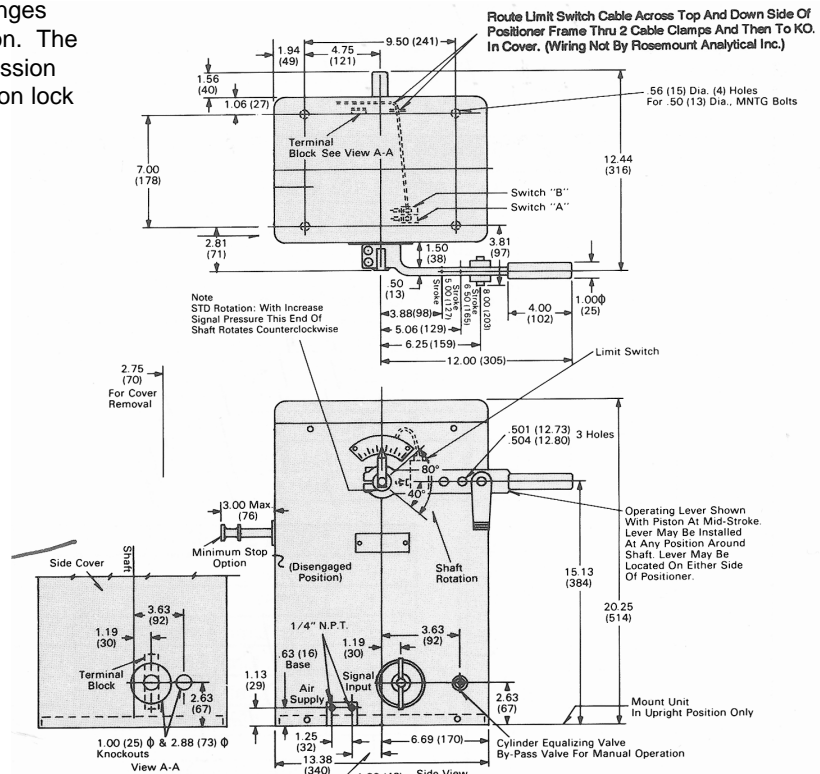
Inverse: 15-3/30-0 psig (103-21/207-0 kPa)

PERFORMANCE

- Repeatability:** 1-0% of full stroke
- No load full stroke time:** 3 sec.
- Full stroke time with 240 ft.-lbs. (325 N.m) torque:** 6 sec.
- Stall torque:** 400 ft.-lbs. (542 N.m) with 100 psig (689 kPa) air supply
- Maximum friction load:** 50% of control torque
- Maximum weight load:** 140 ft.-lbs. (189 N.m)
- Maximum allowable cylinder air pressure:** 120 psig (827 kPa)



Auxiliary Outline Drawing with Heavy Duty Limit Switch Option



General Outline Drawing

Dimensions in Inches with millimeters in parentheses

- Power air consumption:** 0.5 scfm
- Stroke length:** 5 in. (127 mm) (80° rotation)

PHYSICAL CHARACTERISTICS

- Weight:** 80 lbs. (36 kg), typical
- Air supply and signal air input fittings:** 1/4 inch NPT female connections
- Electrical connections:** 16 gauge pigtail leads

ENVIRONMENTAL REQUIREMENTS

- Ambient temperature**
 - Without heater:** +40°F to +140°F (4,44°C to 60°C)
 - With heater:** -10°F to +140°F (-23,3°C to 60°C)
- Relative humidity:** operable up to 100% RH

4 X 5 TORQUE TYPE FLOOR MOUNTED SPECIFICATIONS (continued)

POWER SUPPLY REQUIREMENTS

Pneumatic

Operating air supply pressure: 45 to 120 psig
(310 to 827 kPa)
Recommended air supply pressure: 100 psig (689 kPa)

Electrical

Pivot valve heater

Voltage: 117 VAC, 60 Hz
Power consumption: 150 watts

RATING FOR LIMIT SWITCHES

Standard switch SPDT 125 volts AC: 15 amps
Heavy-duty switch SPDT 120 volts AC: 20 amps

24 VDC power supply required for position transmitter.
Switches suitable for 100% adjustment.
Field wiring direct to switches (not by Emerson).

4 X 5 TORQUE TYPE FLOOR MOUNTED ORDERING INFORMATION

- Select complete model number from Model Number Matrix

Ship Weight
lbs./kgs.

Pneumatic Power Positioner 4 x 5 Torque Type	95/43
---	--------------

Includes air filter/regular style 4505C21G03 and Clevis, style 174469

Code	Frame Description	
1	Standard/brass conns	
2	Manual lock/brass conns	8/3,6
3	Air lock/brass conns	12/5,5
4	Standard/stainless steel conns	
5	Manual lock/stainless steel conns	8/3,6
6	Air lock/stainless steel conns	12/5,5

Code	Signal Range	
1	3 – 15 psig (21-103 kPa)	
2	0 – 30 psig (0-207 kPa)	
3	4 – 20 mA (I/P mounted and piped)	4/1,8

Code	Cam Selection	
1	Linear standard rotation	
2	Linear rev. rotation	
3	Square root standard rotation – direct system	
4	Square root rev. rotation – direct system	
5	Square root standard rotation – inverse system	
6	Square root rev. rotation – inverse system	

Code	Limit Switch	
0	None	
2	Standard limit switch 2 – SPDT ¹	2/0,9
3	H. D. limit switch 2 – 2 DPDT	6/2,7
4	Standard limit switch and EPT	6/2,7
5	H. D. limit switch and EPT	10/4,5

Code	Heater	
0	None	
1	117 VAC, 150 watt heater	2/0,9

Code	Minimum Limit Stop	
0	None	
1	Limit stop feature	

PP405TR	1	2	2	1	1	1	EXAMPLE	95/43
---------	---	---	---	---	---	---	---------	-------

Accessories

Code		
3D37097	On-Off	

¹ SPDT Switch Ratings

15 Amps, 125, 250 or 480 VAC;
10 Amps, 125 VAC "L" (Tungsten Lamp)
1 Hp, 125 VAC; 2 Hp, 250 VAC
1/2 Amp, 125 VDC, 1/4 Amp, 250 VDC

² Two wire (24 VDC) 4 – 20 mA transmitter mounted under power positioner cover, not for intrinsically safe applications.

6 X 10 TORQUE TYPE FLOOR MOUNTED SPECIFICATIONS ¹



6 x 10 Floor Mounted Positioner

- Repeatability:** 1% of full stroke or better
- Temperature limits:** 0-140°F (-17,8 -60°C), 160°(71°C) with increased maintenance
- Full stroke time (unloaded):** 5 sec or less
- Input signal ranges:** 3-15, 0-30 psig (21-103, 0-207 kPa), and 4-20 mA
- Air supply:**
 - Maximum:** 120 psig (827 kPa)
 - Minimum:** 45 psig (310 kPa)
 - Recommended:** 100 psig (689 kPa)
- Air consumption:** 1 scfm free air
- 10-inch stroke:** (80° rotation)
- Torque and load data**
 - Stall torque:** 1800 ft.-lbs. (2441 N.m)
 - Maximum friction load:** 450 ft.-lbs. (610 N.m)
 - Minimum allowable weight load:** 600 ft.-lbs. (814 N.m)
- Physical Characteristics**
 - Weight:** 275 lbs. (125 kg), typical
 - Air supply and signal connections:** 1/4 inch NPT female connections
 - Air input fittings:** 16 gauge pigtail leads
- Electrical connections:** 16 gauge pigtail leads

Limit Switches
 Limit switches are of the single pole, double throw, non-explosion proof. Ratings are 125 VAC-15 amperes, 125 VDC - 0.5 ampere.

Cam Bar
 The standard cam bar produces a straight line relationship. Shaping the cam bar in the field produces other relationships.

Standard rotation (as supplied) – lever moves counterclockwise with increased loading pressure.
 Reverse rotation – lever moves clockwise with increased loading pressure when valve block and angling bar are reversed.

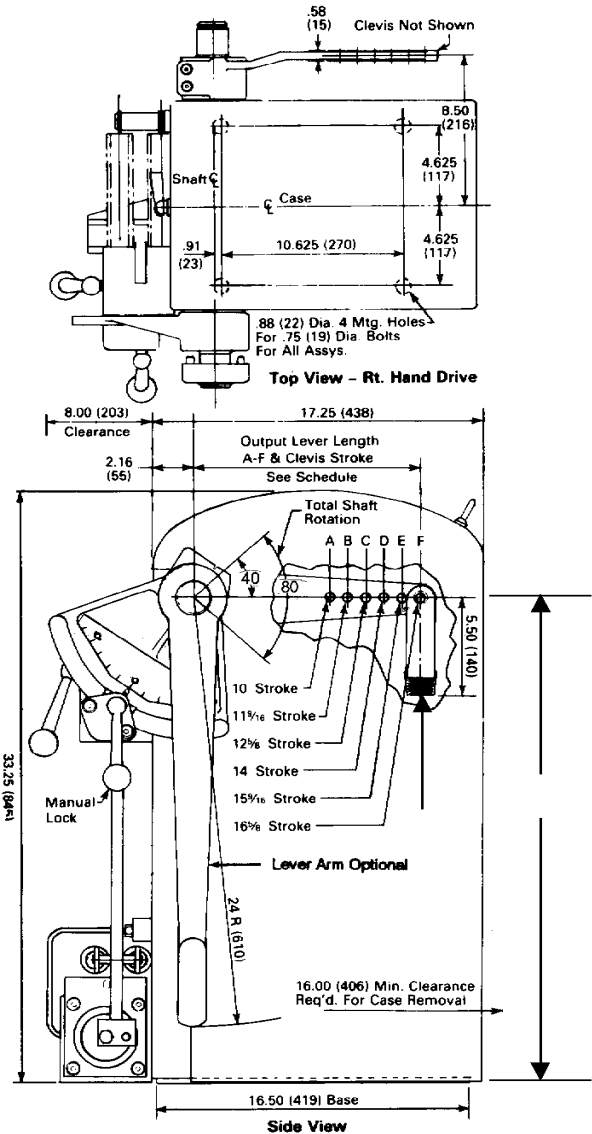
Operating lever shown with piston at midstroke position. Lever may be installed at 7-1/2 inch (191 mm) increments on a 2 inch (51 mm) dia. 48 tooth shaft from position shown.

- To Order, Specify:**
1. Positioner style number.
 2. Accessory style number.
 3. Desired input signal [3-15, 0-30 psig (21-103, 0-207 kPa)] or 4-20 mA.

- OPTIONS**
- Manual operator
 - Air lock
 - I/P converter
 - Dual limit switches
 - Heater
 - Minimum limit stop

- ACCESSORIES**
- Air filter is included
 - Clevis and pin are included

Dimensions in Inches with millimeters in parentheses



Drawings are for reference purposes only and Emerson does not warrant the accuracy of the dimensions herein.

¹ Specifications are subject to change without notification. Our policy is one of continuous improvement, and we reserve the right to change specifications.

6 X 10 TORQUE TYPE FLOOR MOUNTED ORDERING INFORMATION

- Select complete model number from Model Number Matrix

Ship Wt.
lbs./kgs.

Pneumatic Power Positioner 6 x 10 Torque Type							300/136	
Includes air filter style 372538-002 and clevis, style 174468-001								
Code	Frame Description							
1	Standard/brass conns							
2	Manual lock/brass conns						8/3,6	
3	Manual and air lock/brass conns						12/5,5	
4	Standard/stainless steel conns							
5	Manual lock/stainless steel conns						8/3,6	
6	Manual and air lock/stainless steel conns						12/5,5	
Code	Drive Shaft Assembly							
1	Right hand drive							
2	Left hand drive							
Code	Signal Range							
1	3 – 15 psig (21-103 kPa)							
2	0 – 30 psig (0-207 kPa)							
3	4 – 20 mA (I/P mounted and piped)						4/1,8	
Code	Limit Switch (Selection Based on Type)							
0	None							
1	⁶ Two standard ¹						2/0,9	
2	⁶ Two standard ²						2/0,9	
3	⁶ Two standard ³						2/0,9	
4	Two heavy duty ¹						6/2,7	
5	Two heavy duty ²						6/2,7	
6	Two heavy duty ³						6/2,7	
Code	Heater							
0	None							
1	117 VAC, 150 watt heater						2/0,9	
Code	Miscellaneous Accessories (Selection based on type)							
0	None							
5	Minimum limit stop							
PP610TR	1	2	3	0	0	1	EXAMPLE	300/136

Limit switches, EPT and manual limit stop dependent on type codes 1, 2, 3, 4 and 5 as below:

- ¹ For type codes 11, 12, 21, 31, 41, 42, 51 and 61
- ² For type codes 22 and 52
- ³ For type codes 32 and 62
- ⁴ For type codes 21, 31, 51 and 61
- ⁵ For type codes 11, 12, 22, 32, 41, 42, 52 and 62
- ⁶ SPDT switch ratings
 - 15 amps, 125, 250 or 480 VAC;
 - 10 amps, 125 VAC "L" (tungsten lamp)
 - 1 Hp, 125 VAC; 2 Hp, 250 VAC
 - 1/2 amp, 125 VDC, 1/4 Amp, 250 VDC

8 X 14 TORQUE FLOOR MOUNTED SPECIFICATIONS ¹



8 x 14 Floor Mounted Positioner

OPTIONS

- Manual operator
- Air lock
- Dust cover
- Heater
- I/P convertor
- Position transmitter
- Fail safe
- Dual limit switches
- Dual heavy-duty limit switches
- Potentiometer (retransmitting slideware)
- Master/slave positioner

ACCESSORIES

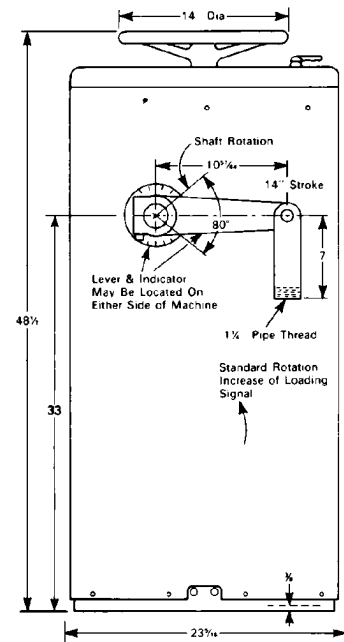
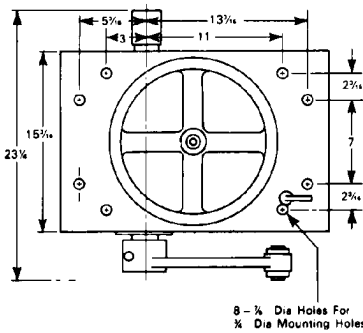
- Air filter is included
- Clevis and pin are included

Limit Switches (SPDT) and Potentiometer Accessory (add 15 lbs.)

- | | |
|--|--|
| For styles 452593, 443700, and 457031: | For styles 450890, 452167, and 457696: |
| 473662-001 ... 1 AC Switch | 473662-010 ... 1 AC Switch |
| 473662-002 ... 2 AC Switches | 473662-011 ... 2 AC Switches |
| 473662-003 ... Pot only | 473662-012 ... Pot only |
| 473662-004 ... 1 AC Switch and 1 Pot | 473662-013 ... Pot only |
| 473662-005 ... 2 AC Switches and 1 Pot | 473662-014 ... 1 AC Switch and 1 Pot |
| 473662-006 ... 1 DC Switch | 473662-015 ... 2 AC Switches and 1 Pot |
| 473662-007 ... 2 DC Switches | 473662-016 ... 1 DC Switch |
| 473662-008 ... 1 DC Switch and 1 Pot | 473662-017 ... 2 DC Switches |
| 473662-009 ... 2 DC Switches and 1 Pot | 473662-018 ... 1 DC Switch and 1 Pot |
| | 473662-019 ... 2 DC Switches and 1 Pot |

- Repeatability:** 1% of full stroke or better
- Temperature limits:** 0-140°F (-17,8 -60°C), 160°F (71°C) with increased maintenance
- Full stroke time (unloaded):** 2.5 sec
- Air supply:**
 - Maximum:** 120 psig (827 kPa)
 - Minimum:** 45 psig (20 kPa)
 - Recommended:** 100 psig (689 kPa)
- Air consumption:** 2 scfm steady state
- 8-inch stroke:** (80° rotation)
- Input signal ranges:** 3-15, 0-30 psig (21-103, 0-207 kPa), and 4-20 mA
- Torque and load data**
 - Stall torque:** 4600 ft.-lbs. (6238 N.m)
 - Maximum friction load:** 1100 ft.-lbs. (1492 N.m)
 - Maximum allowable weight load:** 1600 ft.-lbs. (2170 N.m)
 - Maximum load capability of the manual operator:** 45 psi (310 kPa) differential across the piston

Dimensions in Inches



Typical 8 X 14 torque type floor mounted positioner with dust cover, styles 452167, 457696, 443700 and 457031. Refer to individual outline drawings.

Cam Shape

The standard cam produces a straight line relationship. Shaping the cam in the field produces other relationships.

Limit Switches

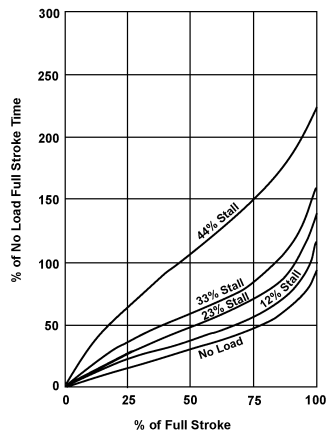
Limit ratings listed under 4 x 5 Torque Type Floor Mounted Type Positioner on page 6 "Limit Switches" and "Current Rating" also apply to this positioner.

To Order, Specify:

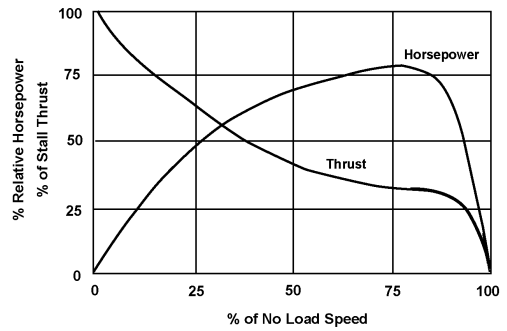
1. Positioner style number (add a -1 if potentiometer and limit switch are required).
2. Accessory style number.
3. Desired input signal

Drawings are for reference purposes only and Emerson does not warrant the accuracy of the dimensions herein.

¹ Specifications are subject to change without notification. Our policy is one of continuous improvement and we reserve the right to change specifications.



Set of Characteristic Curves for a Typical Air-operated Power Cylinder (Piston displacement and time are plotted for suddenly applied full-range positioning inputs to the cylinder. The linear sections of the curves correspond to steady speed).



A typical cylinder-thrust vs. speed characteristic. The curve of relative horsepower output is also shown.

8 X 14 TORQUE TYPE FLOOR MOUNTED ORDERING INFORMATION

Includes air filter style 372538-2 and clevis, style 274472

Code	Manual Operator	Dust Cover	Air Lock	Heater and Thermostat	Shp. Wt. lbs./kgs
452167		x			550/250
457696		x		x	560/254
452593	x		x		580/263
443700	x	x	x		600/272
457031	x	x	x	x	610/277

Accessories

Code	Description	
7362C69G03	Limit switches ² DPDT – NEMA 4, 13, factory wired to terminal box	5/2,3

I/P 4 – 20 mA Input

Code	Description	
9885A31H01	Current/pneumatic converter	
275431-007	Pressure gage	
4505C21G01	Filter regulator	

Fail-Safe Option ⁴

Code	Description	
SKI - 63580	² Check valves ² , diaphr. valves ¹ 2.2 ft. tank ¹ , pressure switch ¹ Solenoid valve, mounted and piped	50/22,7

Master Slave Positioners

Code	Description	
6630D09G01	Master – manual oper., dust cover air lock, heater	620/281
6630D08G01	Slave – manual oper., dust cover air lock, heater	550/250

To Order, Specify:

¹ Desired input signal [3 –15, 0 – 30 psig (21-103, 0-207 kPa), or 4 – 20 mA – see accessories].

² If 4 – 20 mA input is required, also order I/P from accessories.

The contents of this publication are presented for informational purposes only, and while every effort has been made to ensure their accuracy, they are not to be construed as warranties or guarantees, express or implied, regarding the products or services described herein or their use or applicability. All sales are governed by our terms and conditions, which are available on request. We reserve the right to modify or improve the designs or specifications of our products at any time without notice.

Emerson Process Management

**Rosemount Analytical Inc.
Process Analytic Division**

1201 North Main Street
Orrville, OH 44667-0901 USA
T 330.682.9010
Toll Free in US and Canada 800.433.6076
F 330.684.4434
e-mail: gas.csc@EmersonProcess.com
www.raihome.com

© Rosemount Analytical Inc., 2005. All rights reserved.
Printed in U.S.A. on recycled paper. ♻️

