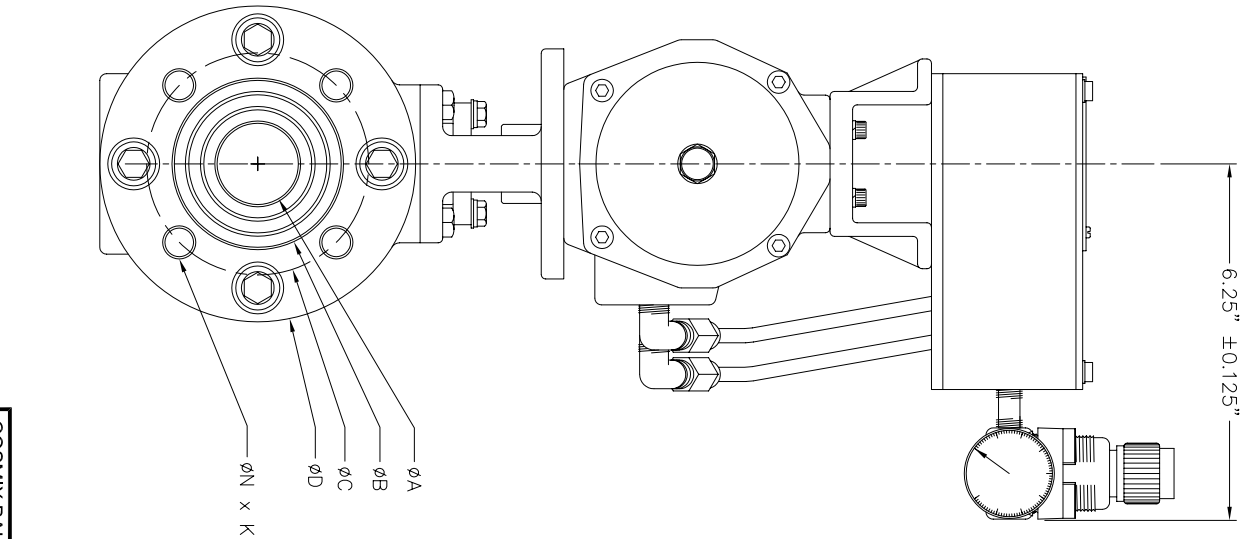
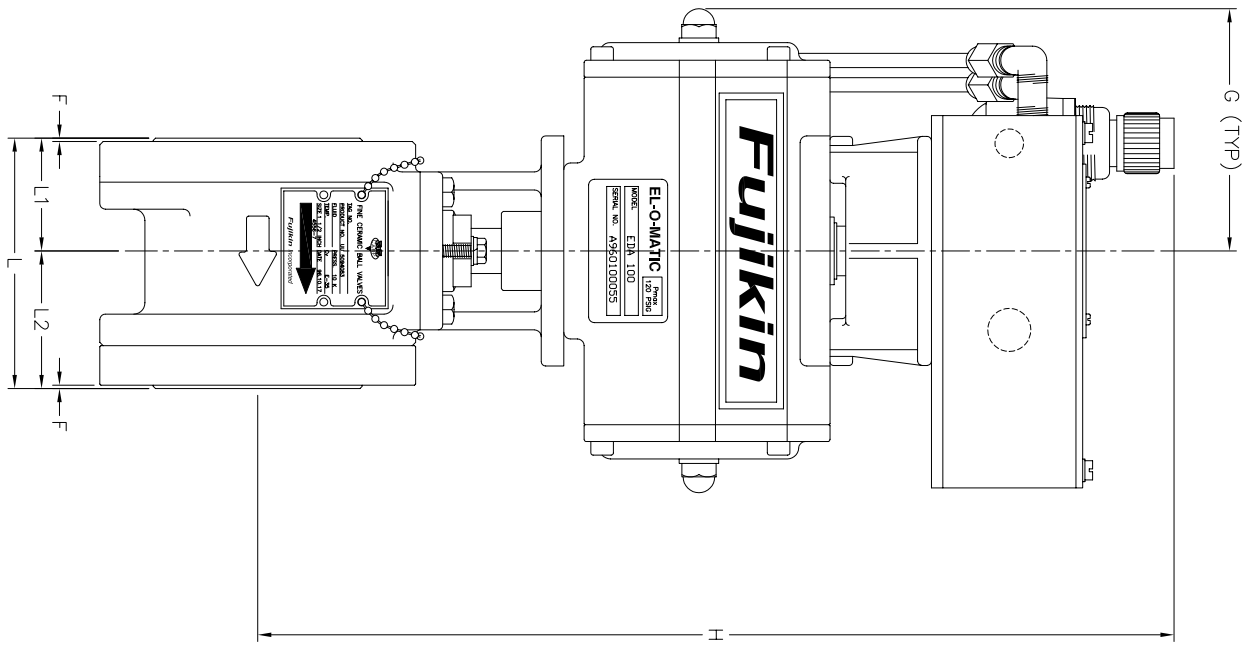


REV. NO.		C24309		REV.	A
REVISIONS					
SYM.	DESCRIPTION	DATE	BY		
A	FOR REVIEW ONLY	12/23/97	DLT		



Dimensions in inches

Valve Size	ØA	ØB	ØC	ØD	F	G	H	L	L1	L2	K (QTY)	N	MODEL NUMBER
1/2"	0.47	1.57	2.38	3.74	0.04	3.13	11.96	2.80	1.30	1.50	4	UNC 1/2"	CBVIII-2150-EWD
3/4"	0.67	1.89	2.75	3.94	0.04	3.55	12.58	3.13	1.38	1.75	4	UNC 1/2"	CBVIII-2150-EWE
1"	0.91	2.20	3.12	4.92	0.06	3.55	13.84	3.35	1.34	1.81	4	UNC 1/2"	CBVIII-2150-EWF
1 1/2"	1.42	2.99	3.88	5.51	0.06	4.35	15.42	4.37	1.97	2.40	4	UNC 5/8"	CBVIII-2150-EWH
2"	1.73	3.70	4.75	6.10	0.06	4.35	15.70	4.72	2.24	2.48	4	UNC 5/8"	CBVIII-2150-EWI
2 1/2"	2.20	4.09	5.51	6.89	0.06	5.57	17.51	5.51	2.64	2.87	4	UNC 5/8"	CBVIII-2150-EWJ
3"	2.83	4.88	6.00	7.83	0.06	5.57	18.18	6.48	3.15	3.33	4	UNC 5/8"	CBVIII-2150-EWK
4"	3.50	5.83	7.50	9.02	0.06	6.00	20.46	7.62	3.74	3.88	8	UNC 5/8"	CBVIII-2150-EWM
6"	5.28	8.35	9.50	12.20	0.10	6.00	22.83	9.84	4.78	5.06	8	UNC 3/4"	CBVIII-2150-EWQ
8"	6.30	10.24	11.75	14.17	0.10	5.02	24.04	11.22	5.51	5.71	8	UNC 3/4"	CBVIII-2150-EWQ

COSMIX BALL VALVE SERIES
 Dimensional Drawing for 1/2" to 8" Cosmix Ball Valves With Double Acting El-O-Matic Actuator, PMV P-2000 Positioner, Air Regulator with Gauge

SCALE: None
 DATE: 12/23/97
 DRAWING NUMBER: FUJIKINEWX
 MODEL NUMBER: CBV3-2150-EWD-Q

Fujikin of America, Inc.
 4 Alison Way, Little Ferry, NJ 07643
 Tel: (201)641-1119
 Fax: (201)641-1137

THIS DRAWING IS THE PROPERTY OF FUJIKIN OF AMERICA, INC. THE INFORMATION CONTAINED HEREIN IS CONFIDENTIAL AND MAY NOT BE REPRODUCED OR COMMUNICATED TO THIRD PARTIES WITHOUT PRIOR WRITTEN PERMISSION.

Arrow cast on valve housing indicates proper direction of media flow.