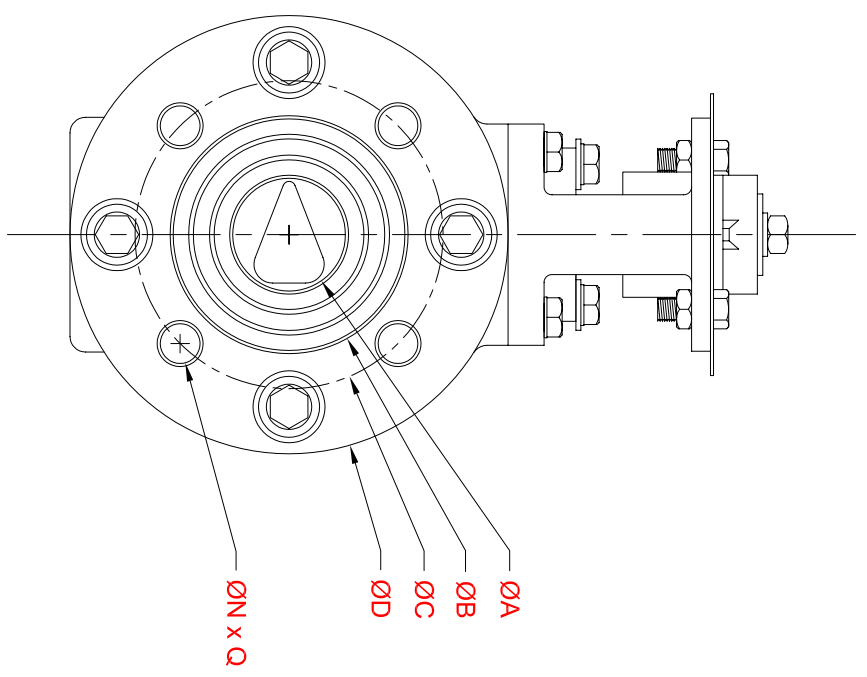
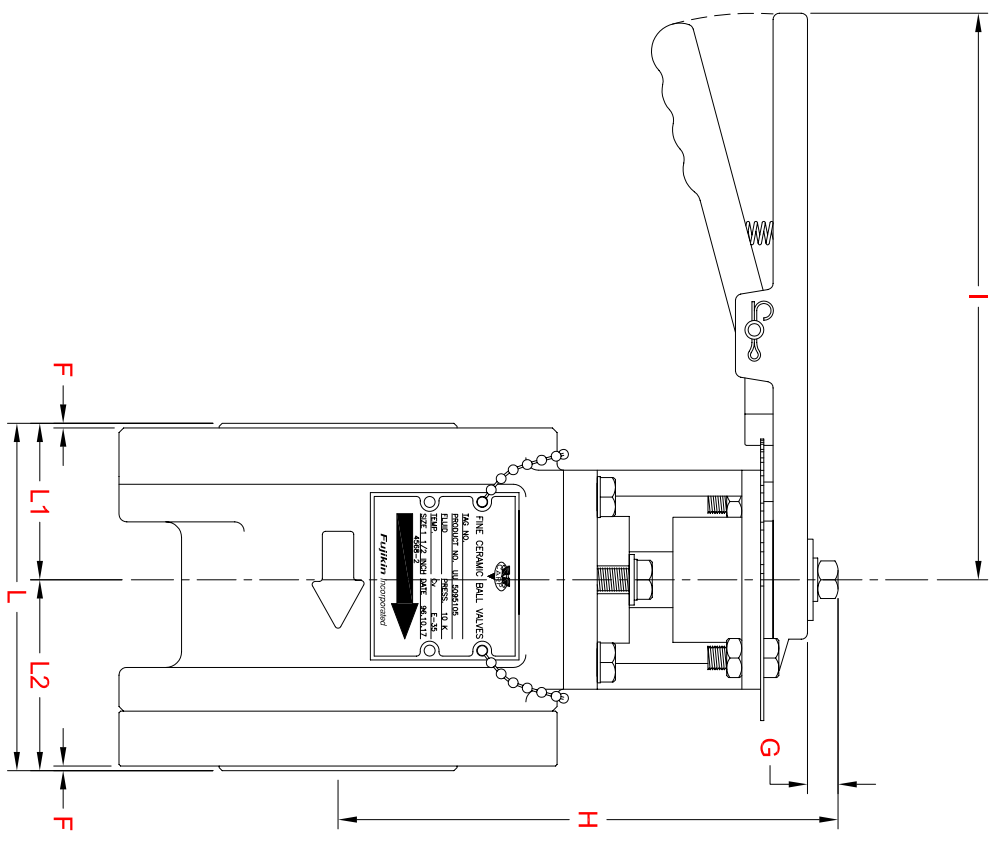


REVISIONS

SNK	DESCRIPTION	DATE	BY
A	FOR REVIEW ONLY	2/2/98	DLT



Dimensions in inches

Valve Size	ØA	ØB	ØC	ØD	F	G	H	I	L	L1	L2	Q (QTY)	N
½"	0.47	1.57	2.38	3.74	0.04	0.28	4.10	5.91	2.80	1.30	1.50	4	UNC 1/2"
¾"	0.67	1.89	2.75	3.94	0.04	0.28	4.22	5.91	3.13	1.38	1.75	4	UNC 1/2"
1"	0.91	2.20	3.12	4.92	0.06	0.28	5.48	5.91	3.35	1.54	1.81	4	UNC 1/2"
1½"	1.42	2.99	3.88	5.51	0.06	0.36	6.19	7.09	4.37	1.97	2.40	4	UNC 1/2"
2"	1.73	3.70	4.75	6.10	0.06	0.36	6.46	7.09	4.72	2.24	2.48	4	UNC 5/8"
2½"	2.20	4.09	5.51	6.89	0.06	0.36	6.78	7.09	5.51	2.64	2.87	4	UNC 5/8"
3"	2.83	4.88	6.00	7.83	0.06	0.36	7.01	7.09	6.48	3.15	3.33	4	UNC 5/8"

**COSMIX BALL VALVE SERIES**

Dimensional Drawing for ½" to 8"  
Cosmix Ball Valves With Handle

SCALE: None	DATE: 2/12/98	DESIGNED BY: DLT
CHECKED BY: FUJIKIN/MANUAL	REVISED: 000/00/00	
<b>Fujikin of America, Inc.</b> 4 Aislen Way, Little Ferry, NJ 07643 Tel: (201)641-1719 Fax: (201)641-1737 This drawing is the property of Fujikin of America, Inc. The information contained herein is confidential and shall remain the property of Fujikin of America, Inc. without further permission.		
ORDER NUMBER: C24301A	MODEL NUMBER: CBVIII-2150-X-MAN	