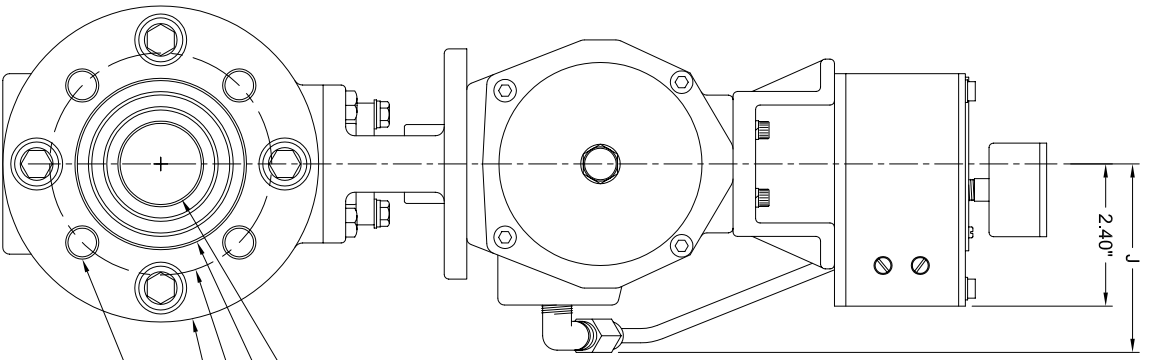
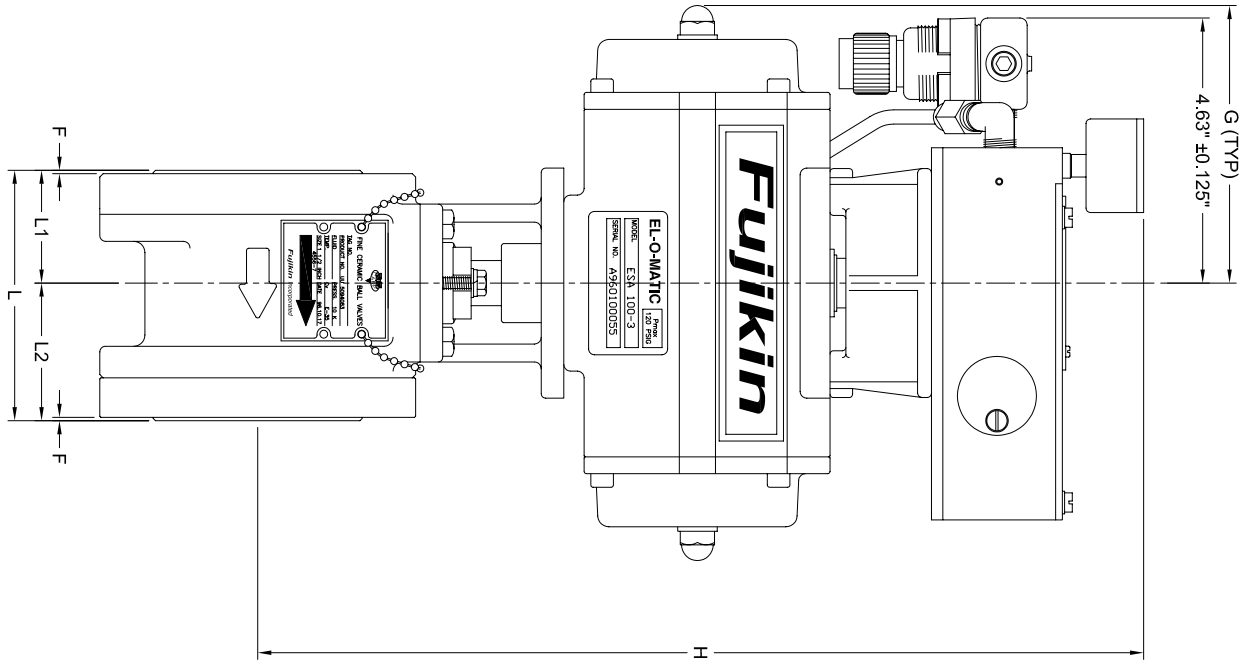


DWG. NO.		REV.	
C24306		A	
REVISIONS			
SYML	DESCRIPTION	DATE	BY
A	FOR REVIEW ONLY	12/28/97	DLT



Dimensions in inches

Valve Size	ØA	ØB	ØC	ØD	F	G	H	J	L	L1	L2	K (QTY)	N	MODEL NUMBER
1/2"	0.47	1.57	2.38	3.74	0.04	3.38	11.43	2.80	2.80	1.30	1.50	4	UNC 1/2"	CBVIII-2150-PSD
3/4"	0.67	1.89	2.75	3.94	0.04	4.02	12.05	3.07	3.13	1.38	1.75	4	UNC 1/2"	CBVIII-2150-PSE
1"	0.91	2.20	3.12	4.92	0.06	4.02	13.31	3.07	3.35	1.34	1.81	4	UNC 1/2"	CBVIII-2150-PSF
1 1/2"	1.42	2.99	3.88	5.51	0.06	5.26	14.89	3.46	4.37	1.97	2.40	4	UNC 1/2"	CBVIII-2150-PSE
2"	1.73	3.70	4.75	6.10	0.06	5.26	15.17	3.46	4.72	2.24	2.48	4	UNC 5/8"	CBVIII-2150-PSI
2 1/2"	2.20	4.09	5.51	7.83	0.06	7.09	17.65	3.85	5.51	2.64	2.87	4	UNC 5/8"	CBVIII-2150-PSJ
3"	2.83	4.88	6.00	8.89	0.06	7.09	16.98	3.85	5.51	2.64	2.87	4	UNC 5/8"	CBVIII-2150-PSK
4"	3.50	5.83	7.50	9.02	0.06	7.62	19.93	4.71	7.62	3.74	3.88	8	UNC 5/8"	CBVIII-2150-PSM
6"	5.28	8.35	9.50	12.20	0.10	7.62	22.30	4.71	9.84	4.78	5.06	8	UNC 3/4"	CBVIII-2150-PSO
8"	6.30	10.24	11.75	14.17	0.10	6.93	23.51	5.29	11.22	5.51	5.71	8	UNC 3/4"	CBVIII-2150-PSQ

- ØA
- ØB
- ØC
- ØD
- ØN x K

COSMIX BALL VALVE SERIES

Dimensional Drawing for 1/2" to 8" Cosmix Ball Valves with Spring Return El-O-Matic Actuator, PMV P-1200 Positioner, Air Regulator with Gauge

DATE: 12/29/97
SCALE: NONE
DRAWING NUMBER: C24306

MODEL NUMBER: FUJIKINPSX

DRAWN BY: DLT
REVISED: 00/00/00

Fujikin of America, Inc.
4 Alison Way, Little Ferry, NJ 07643
Tel: (201) 641-1119
Fax: (201) 641-1137

THIS DRAWING IS THE PROPERTY OF FUJIKIN OF AMERICA, INC. THE REPRODUCTION OR UNAUTHORIZED COMMERCIAL USE AND ANY WAY NOT BE REPRODUCED OR COMMUNICATED TO THIRD PARTIES WITHOUT PRIOR WRITTEN PERMISSION.

MODEL NUMBER: CBV3-2150-PSD-Q

Arrow cast on valve housing indicates proper direction of media flow.