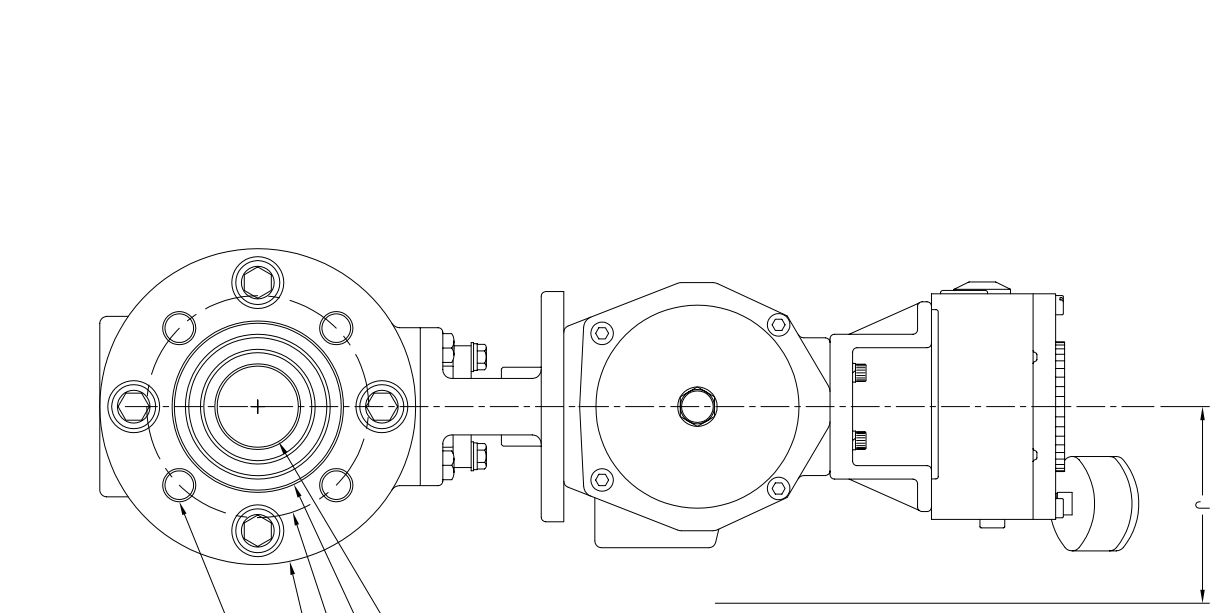
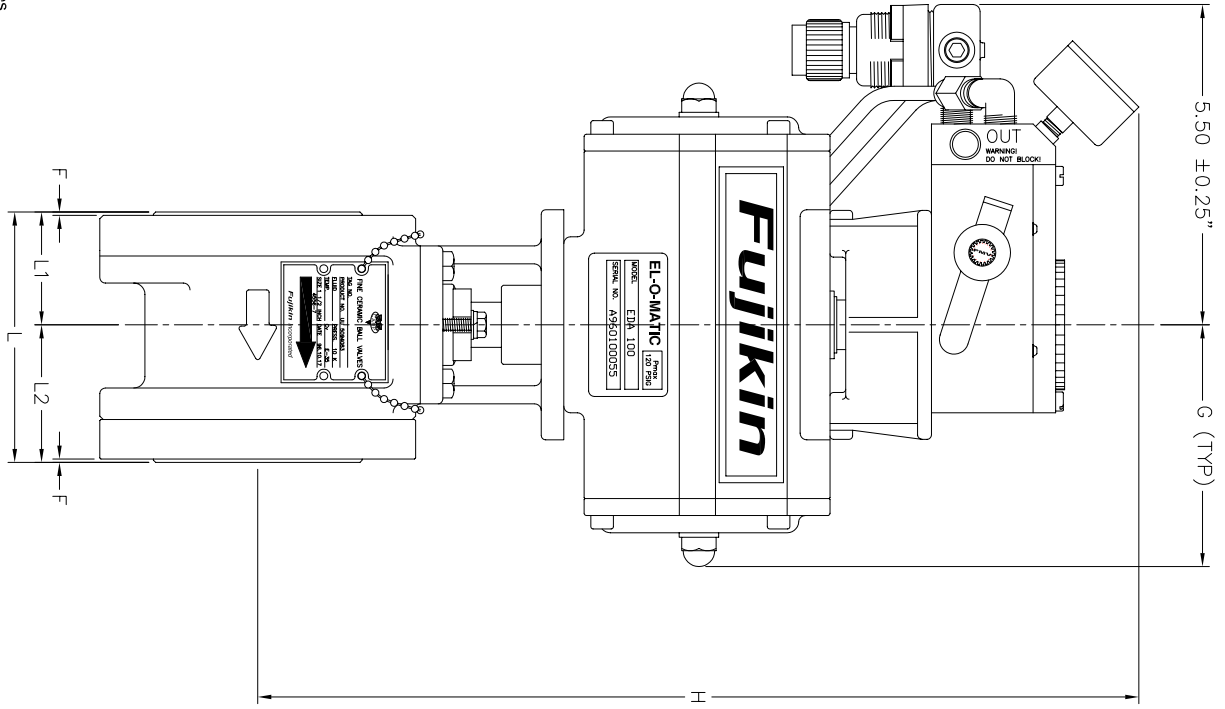


REVISIONS			
SYM.	DESCRIPTION	DATE	BY
A	FOR REVIEW ONLY	12/29/97	DLT



Dimensions in inches

Valve Size	ØA	ØB	ØC	ØD	F	G	H	J	L	L1	L2	K (QTY)	N	MODEL NUMBER
1/2"	0.47	1.57	2.38	3.74	0.04	3.13	11.35	2.80	2.80	1.30	1.50	4	UNC 1/2"	CBVIII-2150-PWD
3/4"	0.67	1.89	2.75	3.94	0.04	3.55	11.97	3.07	3.13	1.38	1.75	4	UNC 1/2"	CBVIII-2150-PWE
1"	0.91	2.20	3.12	4.92	0.06	3.55	13.23	3.07	3.35	1.34	1.81	4	UNC 1/2"	CBVIII-2150-PWF
1 1/2"	1.42	2.99	3.88	5.51	0.06	4.35	14.81	3.46	4.37	1.97	2.40	4	UNC 1/2"	CBVIII-2150-PWH
2"	1.73	3.70	4.75	6.10	0.06	4.35	15.09	3.46	4.72	2.24	2.48	4	UNC 5/8"	CBVIII-2150-PWI
2 1/2"	2.20	4.09	5.51	6.89	0.06	5.57	16.90	3.85	5.51	2.64	2.87	4	UNC 5/8"	CBVIII-2150-PWJ
3"	2.83	4.88	6.00	7.83	0.06	5.57	17.57	3.85	6.48	3.15	3.33	4	UNC 5/8"	CBVIII-2150-PWK
4"	3.50	5.83	7.50	9.02	0.06	6.00	19.85	4.71	7.62	3.74	3.88	8	UNC 5/8"	CBVIII-2150-PWM
6"	5.28	8.35	9.50	12.20	0.10	6.00	22.22	4.71	9.84	4.78	5.06	8	UNC 3/4"	CBVIII-2150-PWQ
8"	6.30	10.24	11.75	14.17	0.10	5.02	23.43	5.29	11.22	5.51	5.71	8	UNC 3/4"	CBVIII-2150-PWC

COSMIX BALL VALVE SERIES
 Dimensional Drawing for 1/2" to 8" Cosmix Ball Valves With Double Acting El-O-Matic Actuator, PMV P-5 Positioner, Air Regulator with Gauge

Arrow cast on valve housing indicates proper direction of media flow.

DATE: 12/29/97
 SCALE: None
 DRAWN BY: DLT
 REVISED: 00/00/00
Fujikin of America, Inc.
 4 Alison Way, Little Ferry, NJ 07643
 Tel: (201)641-1119
 Fax: (201)641-1137

DWG. NO. **C24308**
 MODEL NUMBER **CBV3-2150-PWD~Q**