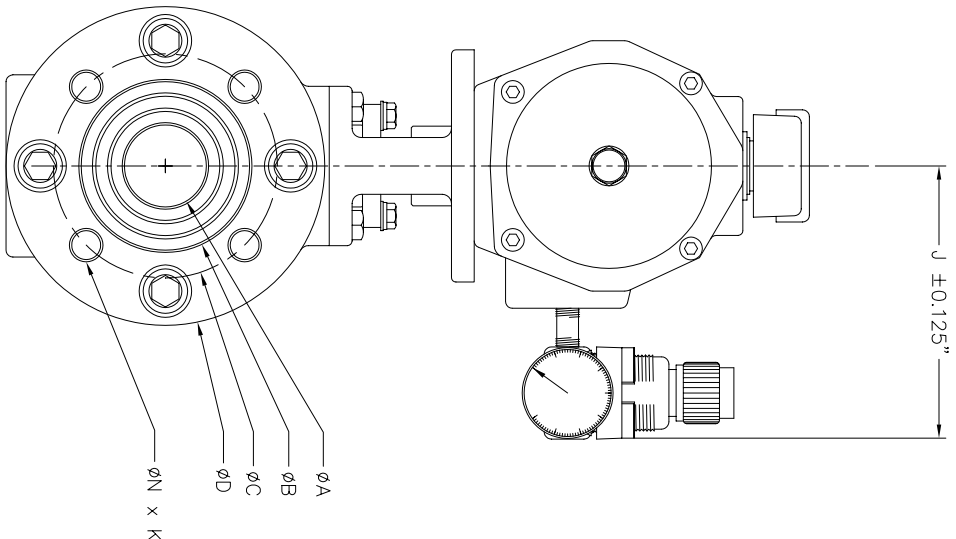
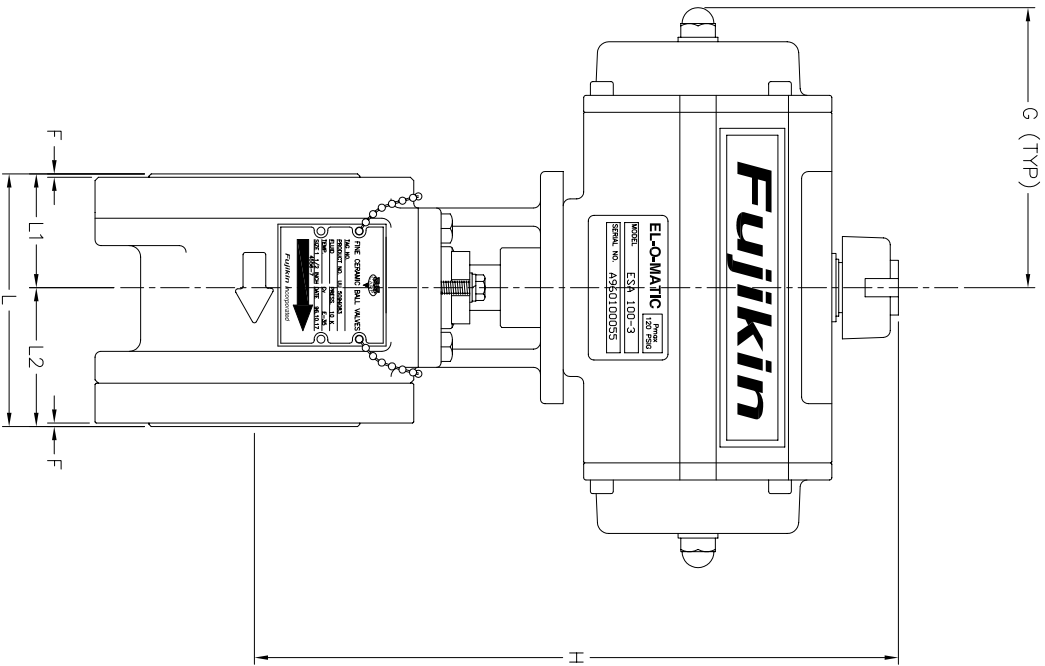


**C24304**

REVISIONS

SYM.	DESCRIPTION	DATE	BY
A	FOR REVIEW ONLY	12/23/97	DLT



Dimensions in inches

Valve Size	ØA	ØB	ØC	ØD	F	G	H	J	L	L1	L2	K (QTY)	N	MODEL NUMBER
1/2"	0.47	1.57	2.38	3.74	0.04	3.38	6.75	3.80	2.80	1.30	1.50	4	UNC 1/2"	CBVIII-2150-TSD
3/4"	0.67	1.89	2.75	3.94	0.04	4.02	7.37	4.07	3.13	1.38	1.75	4	UNC 1/2"	CBVIII-2150-TSE
1"	0.91	2.20	3.12	4.92	0.06	4.02	8.63	4.07	3.35	1.54	1.81	4	UNC 1/2"	CBVIII-2150-TSF
1 1/2"	1.42	2.99	3.88	5.51	0.06	5.26	10.21	4.46	4.37	1.97	2.40	4	UNC 1/2"	CBVIII-2150-TSH
2"	1.73	3.70	4.75	6.10	0.06	5.26	10.49	4.46	4.72	2.24	2.48	4	UNC 5/8"	CBVIII-2150-TSI
2 1/2"	2.20	4.09	5.51	6.89	0.06	7.09	12.30	4.85	5.51	2.64	2.87	4	UNC 5/8"	CBVIII-2150-TSJ
3"	2.83	4.88	6.00	7.83	0.06	7.09	12.97	4.85	6.48	3.15	3.33	4	UNC 5/8"	CBVIII-2150-TSK
4"	3.50	5.83	7.50	9.02	0.06	7.62	15.25	5.71	7.62	3.74	3.88	8	UNC 5/8"	CBVIII-2150-TSM
6"	5.28	8.35	9.50	12.20	0.10	7.62	17.62	5.71	9.84	4.78	5.06	8	UNC 3/4"	CBVIII-2150-TSN
8"	6.30	10.24	11.75	14.17	0.10	6.93	19.11	6.29	11.22	5.51	5.71	8	UNC 3/4"	CBVIII-2150-TSQ

**COSMIX BALL VALVE SERIES**

Dimensional Drawing for 1/2" to 8" Cosmix Ball Valves With Spring Return EL-O-Matic Actuator, Air Regulator with Gauge - For On / Off Operation

SCALE: None  
 DATE: 12/23/97  
 DRAWN BY: DLT  
 REVISED: 000/00/00

**Fujikin of America, Inc.**  
 4 Aisan Way, Little Ferry, NJ 07643  
 Tel: (201)641-1119  
 Fax: (201)641-1137

THIS DRAWING IS THE PROPERTY OF FUJIKIN OF AMERICA, INC. THE INFORMATION CONTAINED HEREIN IS CONFIDENTIAL AND MAY NOT BE REPRODUCED OR COMMUNICATED TO THIRD PARTIES WITHOUT PRIOR WRITTEN PERMISSION.  
 DRAWING NUMBER: **C24304**  
 MODEL NUMBER: **CBV3-2150-TSD~Q**

Arrow cast on valve housing indicates proper direction of media flow.