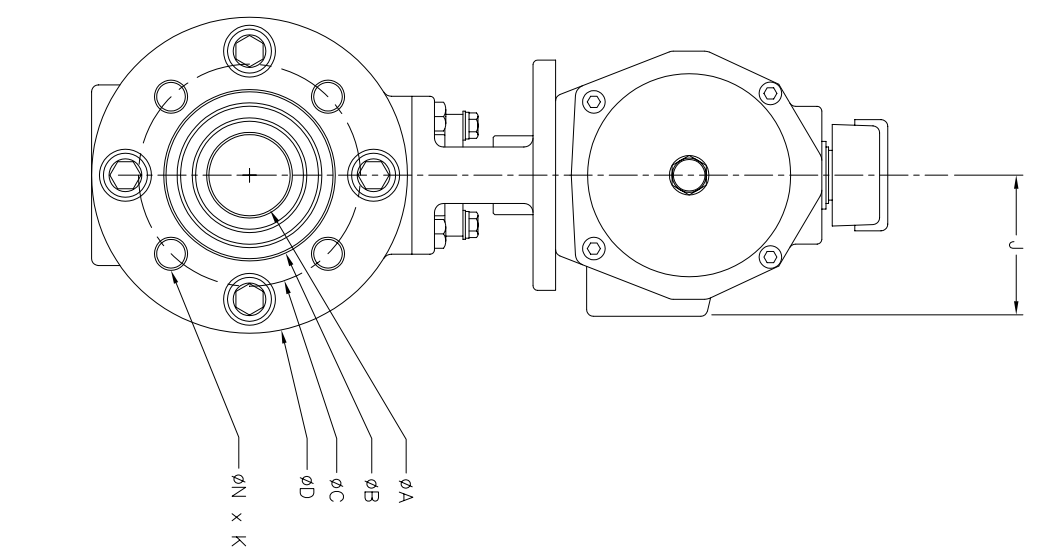
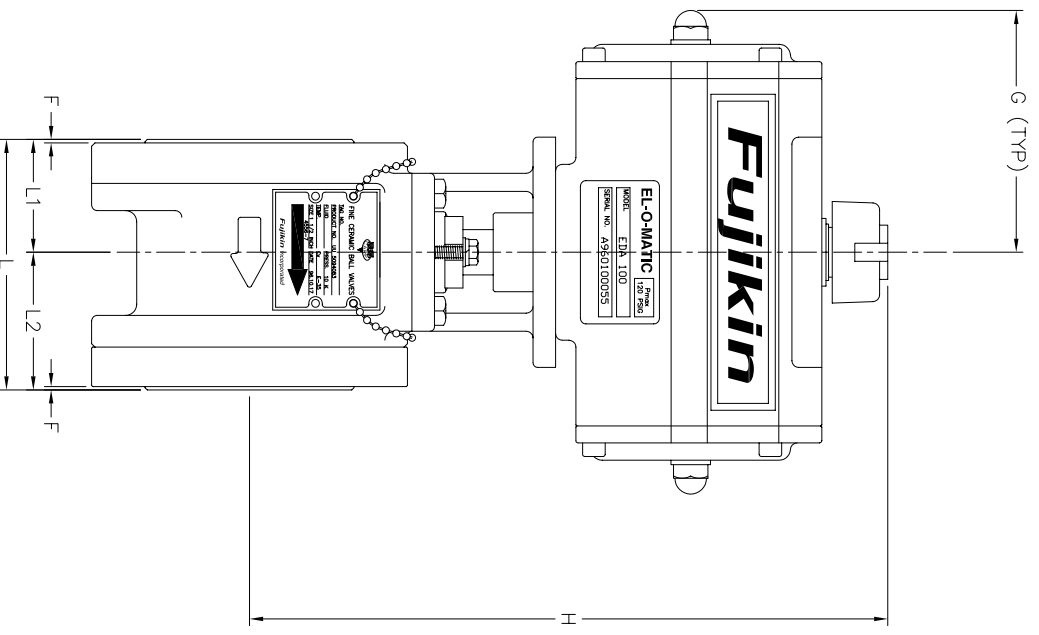


REV. NO.		C24305		REV.
REV. NO.		A		
REVISIONS				
SYL.	DESCRIPTION	DATE	BY	
A	FOR REVIEW ONLY	12/23/97	DLT	



Dimensions in inches

Valve Size	ØA	ØB	ØC	ØD	F	G	H	J	L	L1	L2	K (QTY)	N	MODEL NUMBER
1/2"	0.47	1.57	2.38	3.74	0.04	3.13	6.75	1.80	2.80	1.30	1.50	4	UNC 1/2"	CBVIII-2150-TSD
3/4"	0.67	1.89	2.75	3.94	0.04	3.55	7.37	2.07	3.13	1.38	1.75	4	UNC 1/2"	CBVIII-2150-TSE
1"	0.91	2.20	3.12	4.92	0.06	3.55	8.63	2.07	3.35	1.54	1.81	4	UNC 1/2"	CBVIII-2150-TSF
1 1/2"	1.42	2.99	3.88	5.51	0.06	4.35	10.21	2.46	4.37	1.97	2.40	4	UNC 1/2"	CBVIII-2150-TSI
2"	1.73	3.70	4.75	6.10	0.06	4.35	10.49	2.46	4.72	2.24	2.48	4	UNC 5/8"	CBVIII-2150-TSJ
3"	2.83	4.88	6.00	7.83	0.06	5.57	12.97	2.85	5.51	2.64	2.87	4	UNC 5/8"	CBVIII-2150-TSK
2 1/2"	2.20	4.09	5.51	6.89	0.06	5.57	12.30	2.85	6.48	3.15	3.33	4	UNC 5/8"	CBVIII-2150-TSM
4"	3.50	5.83	7.50	9.02	0.06	6.00	15.25	3.71	7.62	3.74	3.88	8	UNC 3/4"	CBVIII-2150-TSQ
6"	5.28	8.35	9.50	12.20	0.10	6.00	17.62	3.71	9.84	4.78	5.06	8	UNC 3/4"	CBVIII-2150-TSQ
8"	6.30	10.24	11.75	14.17	0.10	5.02	19.11	4.29	11.22	5.51	5.71	8	UNC 3/4"	CBVIII-2150-TSQ

Arrow cast on valve housing indicates proper direction of media flow.

**COSMIX BALL VALVE SERIES**

Dimensional Drawing for 1/2" to 8" Cosmix Ball Valves With Double Acting ELO-Matic Actuator, For On / Off Operation, Fail In Place

SCALE: None      DWG FILE: FUJIKIN1TWX

DATE: 12/23/97      DRAWN BY: DLT

**Fujikin of America, Inc.**      REVISED: 00/00/00

4 Aison Way, Little Ferry, NJ 07643      Tel: (201)641-1119

Fax: (201)641-1157

THIS DRAWING IS THE PROPERTY OF FUJIKIN OF AMERICA, INC. THE INFORMATION CONTAINED HEREIN IS CONFIDENTIAL AND MAY NOT BE REPRODUCED OR COMMUNICATED TO THIRD PARTIES WITHOUT PRIOR WRITTEN PERMISSION.

DRAWING NUMBER: C24305      MODEL NUMBER: CBV3-2150-TWD-Q