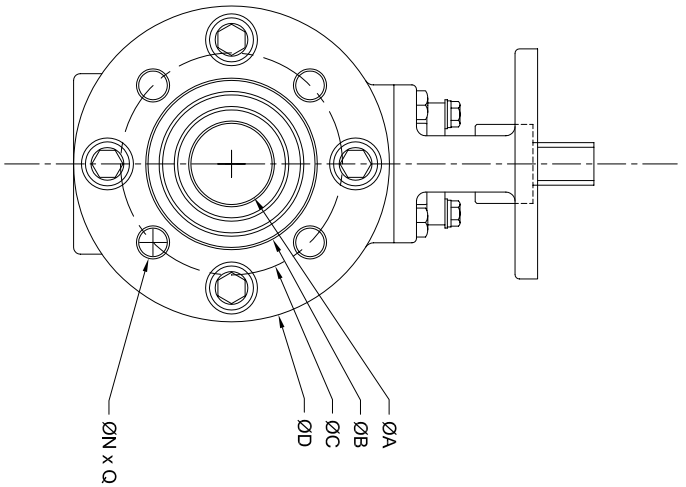
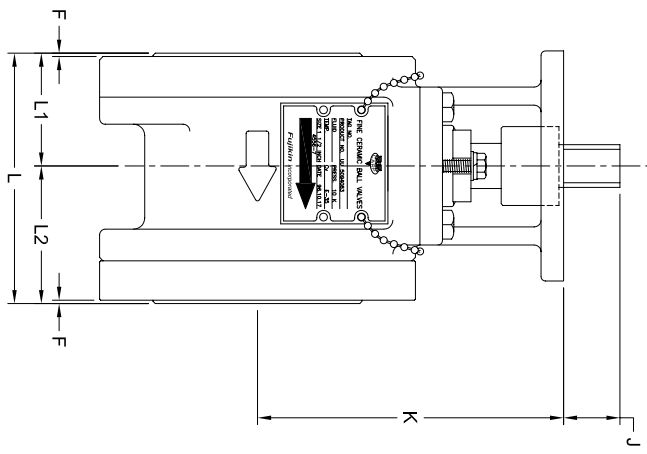
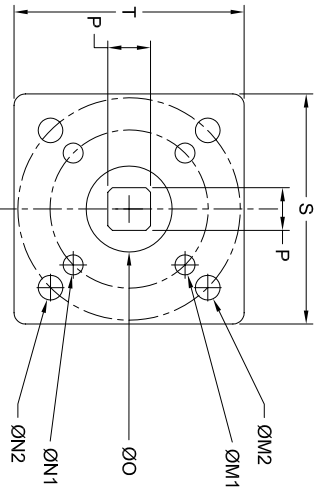


REVISIONS			
SYM.	DESCRIPTION	DATE	BY
A	FOR REVIEW ONLY	10/18/99	DLT



Dimensions in inches

Valve Size	ØA	ØB	ØC	ØD	F	J	K	S	T	L	L1	L2	ØM1	ØM2	ØN1	ØN2	ØO	P	Q (QTY)	ØN
1/2"	0.47	1.57	2.38	3.74	0.04	0.79	3.35	2.60	2.60	2.80	1.30	1.50	0.35	0.35	1.97	2.76	0.94	0.431	4	UNC 1/2"
3/4"	0.67	1.89	2.75	3.94	0.04	0.83	3.46	2.60	2.60	3.13	1.38	1.75	0.35	0.35	1.97	2.76	0.94	0.549	4	UNC 1/2"
1"	0.91	2.20	3.12	4.92	0.06	0.87	4.72	2.60	2.60	3.35	1.54	1.81	0.35	0.35	1.97	2.76	1.18	0.549	4	UNC 1/2"
1 1/2"	1.42	2.99	3.88	5.51	0.06	1.00	5.31	3.94	3.94	4.37	1.97	2.40	0.35	0.43	2.76	4.02	1.50	0.746	4	UNC 1/2"
2"	1.73	3.70	4.75	6.10	0.06	1.00	5.59	3.94	3.94	4.72	2.24	2.48	0.35	0.43	2.76	4.02	1.50	0.746	4	UNC 5/8"
3"	2.83	4.88	6.00	7.83	0.06	1.00	7.09	3.94	4.57	5.51	2.84	2.87	0.35	0.43	2.76	4.02	2.17	0.864	4	UNC 5/8"
2 1/2"	2.20	4.09	5.51	6.89	0.06	0.91	6.42	4.57	4.57	5.51	2.84	2.87	0.35	0.43	2.76	4.02	2.17	0.864	4	UNC 5/8"
3"	2.83	4.88	6.00	7.83	0.06	1.00	7.09	3.94	4.57	5.51	2.84	2.87	0.35	0.43	2.76	4.02	2.17	0.864	4	UNC 5/8"
4"	3.50	5.83	7.50	9.02	0.06	1.30	7.87	3.94	5.51	7.62	3.74	3.88	0.35	0.43	2.76	4.02	2.56	1.059	8	UNC 5/8"
6"	5.28	8.35	9.50	12.20	0.10	1.38	10.24	5.51	6.30	9.84	4.78	5.06	0.43	0.67	4.02	5.51	3.15	1.059	8	UNC 3/4"
8"	6.30	10.24	11.75	14.17	0.10	1.38	11.42	5.51	7.09	11.22	5.51	5.71	0.67	0.71	4.02	5.51	3.93	1.059	8	UNC 3/4"

Arrow cast on valve housing indicates proper direction of media flow.

**COSMIX BALL VALVE SERIES**

Dimensional Drawing for 1/2" to 8"  
Cosmix Ball Valves

SCALE: None	ISO FILE: barestem	REVISION: 00/00/00
DATE: 10/18/99	DESIGNED BY: DLT	
<b>Fujikin of America, Inc.</b>		
4 Alston Way, Little Ferry, NJ 07643		
Tel: (201) 941-1119		
Fax: (201) 941-1118		
www.fujikin.com		
THIS DRAWING IS THE PROPERTY OF FUJIKIN OF AMERICA, INC. THE INFORMATION CONTAINED HEREIN IS UNCLASSIFIED AND MAY NOT BE REPRODUCED OR COMMUNICATED TO THIRD PARTIES WITHOUT PRIOR WRITTEN PERMISSION.		
DRAWING NUMBER: C24301-4	MODEL NUMBER: CBV3-2150-D-Q	